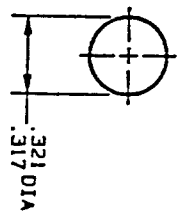
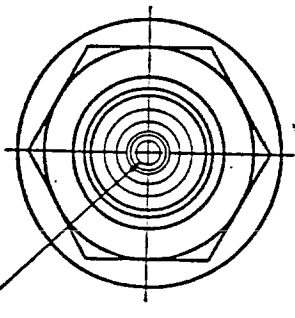
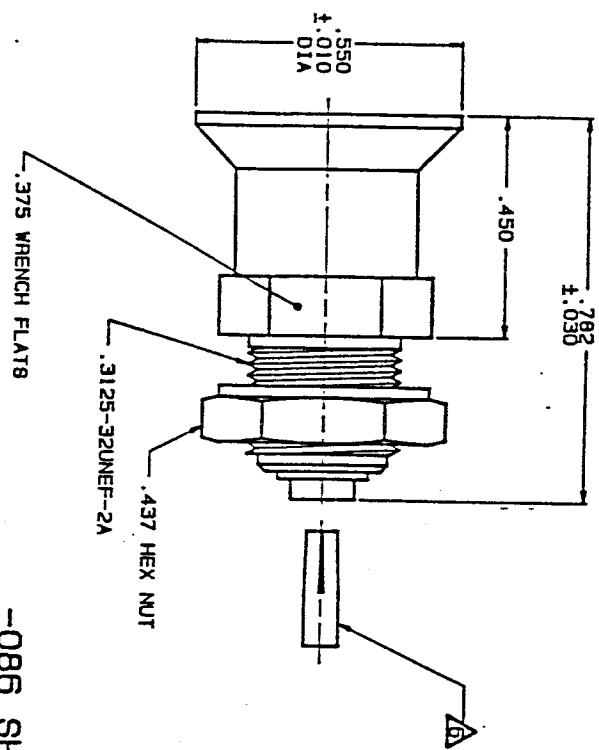


DASH NO	CABLES ACCOMMODATED	ASSEMBLE PER
-086	R9-405	
-U086		
-141	R9-402	TAI-142
-U141		

DIRK # DWG SIZE DATA CONTAINED IN THIS DOCUMENT IS PROPRIETARY TO TROMPETER ELECTRONICS, INC. AND SHALL NOT BE REPRODUCED, COPIED OR USED FOR PRODUCTION OR MANUFACTURE WITHOUT EXPRESS WRITTEN PERMISSION.

REV	EO	DESCRIPTION	DWN	APPROVED	DATE
D	8758	6H 1, ADDED NOTE Δ: SH 2, AND REDRAWN	OJK	<i>[Signature]</i>	3/27/90

INCH	MM
.005	0.13
.010	0.25
.030	0.76
.120	3.05
.317	8.05
.321	8.15
.375	9.53
.437	11.10
.450	11.43
.550	13.97
.782	19.86



- △ CABLE CONTACT SUPPLIED LOOSE
- △ U DENOTES 75 OHM
- 50 & 75 OHM COAXIAL BNC TYPE PUSH ON BULKHEAD JACK
- MAX PANEL THK .120
- FINISH: TF9-1A (NICKEL)
- ALL DIM ARE IN INCHES

-086 SHOWN

RECOMMENDED PNL CUTOUT SCALE: 2/1

QTY	DESCRIPTION	PART NUMBER	ITEM
TOL UNLESS SPECIFIED			
.XX ± .005			
.XXX ± .005			
.XXXX ± .005			
ANALYSIS			
DWN	DJK	2/8/90	
CHK	UH	3/9/90	
ENGR	Bill	3/27/90	
APPR	X	3-12-90	

NEXT ASSY

DESCRIPTION	PART NUMBER	ITEM
TROMPETER ELECTRONICS, INC.	8J1200/UBJ1200	
MATERIAL	CODE IDENT	DRAWING NO.
	14949	105-0771
SCALE 4/1	DATE 3/23/76	SHEET 1 OF 2