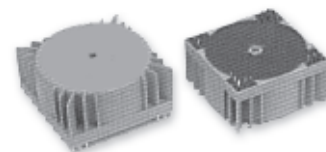


# TOROIDAL LINE TRANSFORMER

## ACTT-6 SERIES



### FEATURES:

- 2.5VA to 56 VA
- Dual primary ( 115V/230V, 50/60Hz )
- Hipot: 4K VRMS (Primary to Secondary)
- Secondary: series or parallel
- Insulation Class - Class B (130°C)

### OPTIONS:

- Bulk Pack is standard

### APPLICATIONS:

- 115V/230V 50/60Hz input
- Dual output voltage
- AC-DC Adaptor
- Electrical applicants
- Construction - UL506, CSA C22.2 #66-1988
- UL1411, TUV/EN60950, 60065/CE

### STANDARD SPECIFICATIONS:

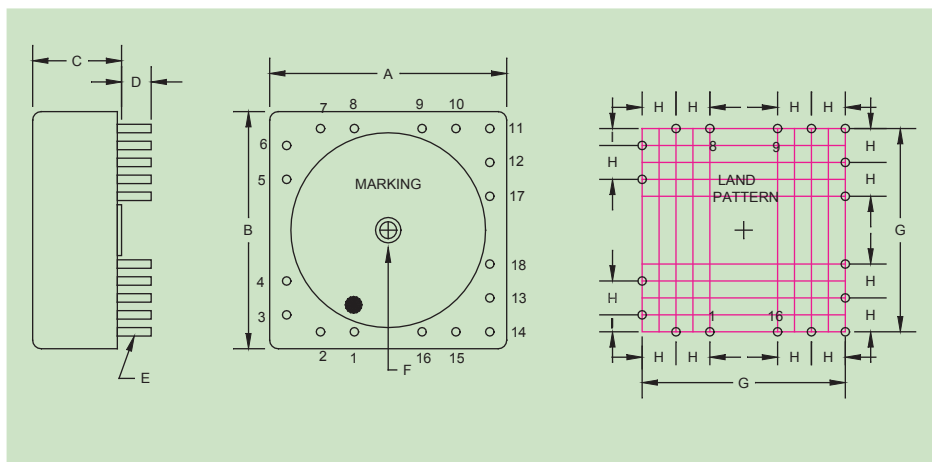
PART NO	POWER	DIMENSION (mm)								
		A	B	C	D	E	F	G	H	I
ACTT-6A	1.6VA	40.0	40.0	18.5	4.0	0.64SQ	Ø3.5	35.56	5.08	2.54
ACTT-6B	3.2VA	45.0	45.0	19.5	4.0	0.64SQ	Ø3.5	40.64	5.08	2.54
ACTT-6C	5.0VA	50.0	50.0	19.5	4.0	0.64SQ	Ø3.5	45.72	5.08	2.54
ACTT-6D	7.0VA	50.0	50.0	23.1	4.0	0.64SQ	Ø3.5	45.72	5.08	2.54
ACTT-6E	10VA	56.0	56.0	26.0	4.0	0.80SQ	Ø3.5	50.80	5.08	2.54
ACTT-6F	15VA	61.0	61.0	26.3	4.0	0.80SQ	Ø3.5	55.88	5.08	2.54
ACTT-6G	25VA	61.0	61.0	37.5	4.0	0.80SQ	Ø3.5	55.88	5.08	2.54
ACTT-6H	35VA	75.0	75.0	37.5	4.0	0.80SQ	Ø6.0	66.04	5.08	2.54
ACTT-6J	50VA	82.4	82.4	37.5	4.0	1.00SQ	Ø6.0	76.02	5.08	2.54
ACTT-6K	65VA	92.0	92.0	39.0	4.0	1.00SQ	Ø7.0	83.82	5.08	2.54
ACTT-6L	85VA	100.0	100.0	42.0	4.0	1.00SQ	Ø7.0	91.44	5.08	2.54

### TECHNICAL INFORMATION:

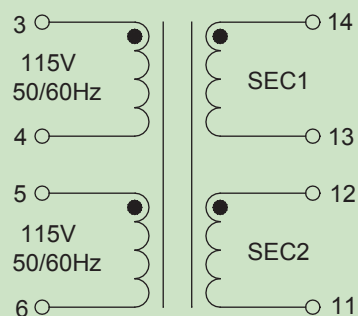
- Order by part no. ACTT-6 (suffix letter)-XXX (series voltage)
- Operating Temperature: -40°C to +105°C
- CT indicates pin 12 and pin 13 shorted
- See SCD for detail electrical and mechanical specification

Note: All specification subject to change without noticed.

### PHYSICAL CHARACTERISTICS:

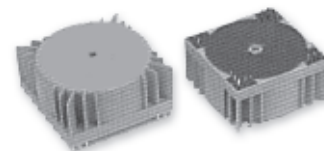


### SCHEMATIC



# TOROIDAL LINE TRANSFORMER

## ACTT-6 SERIES



### STANDARD SPECIFICATIONS:

ACTT-6A-	SERIES		PARALLEL	
	V (C.T.)	mA (RMS)	V	mA (RMS)
12	12	133	6	266
14	14	114	7	228
18	18	89	9	178
24	24	67	12	134
30	30	53	15	106
36	36	44	18	88
44	44	36	22	72
48	48	33	24	66

ACTT-6B-	SERIES		PARALLEL	
	V (C.T.)	mA (RMS)	V	mA (RMS)
12	12	266	6	532
14	14	229	7	458
18	18	178	9	356
24	24	133	12	266
30	30	107	15	214
36	36	89	18	178
44	44	73	22	146
48	48	66	24	132

ACTT-6C-	SERIES		PARALLEL	
	V (C.T.)	mA (RMS)	V	mA (RMS)
12	12	416	6	832
14	14	357	7	714
18	18	278	9	556
24	24	208	12	416
30	30	167	15	334
36	36	139	18	278
44	44	114	22	228
48	48	104	24	208

ACTT-6D-	SERIES		PARALLEL	
	V (C.T.)	mA (RMS)	V	mA (RMS)
12	12	583	6	1166
14	14	500	7	1000
18	18	389	9	778
24	24	292	12	584
30	30	233	15	466
36	36	194	18	388
44	44	159	22	318
48	48	145	24	290

ACTT-6E-	SERIES		PARALLEL	
	V (C.T.)	A (RMS)	V	A (RMS)
12	12	0.833	6	1.666
14	14	0.714	7	1.428
18	18	0.556	9	1.112
24	24	0.417	12	0.834
30	30	0.333	15	0.666
36	36	0.278	18	0.556
44	44	0.227	22	0.454
48	48	0.208	24	0.416

ACTT-6F-	SERIES		PARALLEL	
	V (C.T.)	A (RMS)	V	A (RMS)
12	12	1.250	6	82.500
14	14	1.071	7	2.142
18	18	0.833	9	1.666
24	24	0.625	12	1.250
30	30	0.500	15	1.000
36	36	0.417	18	0.834
44	44	0.341	22	0.682
48	48	0.312	24	0.624

ACTT-6G-	SERIES		PARALLEL	
	V (C.T.)	A (RMS)	V	A (RMS)
12	12	2.083	6	4.166
14	14	1.785	7	3.570
18	18	1.377	9	2.754
24	24	1.041	12	2.082
30	30	0.832	15	1.664
36	36	0.694	18	1.388
44	44	0.568	22	1.136
48	48	0.520	24	1.040

ACTT-6H-	SERIES		PARALLEL	
	V (C.T.)	mA(RMS)	V	A (RMS)
12	12	2.916	6	5.832
14	14	2.500	7	5.000
18	18	1.944	9	3.888
24	24	1.458	12	2.916
30	30	1.167	15	2.334
36	36	0.972	18	1.944
44	44	0.795	22	1.590
48	48	0.729	24	1.458

ACTT-6J-	SERIES		PARALLEL	
	V (C.T.)	A (RMS)	V	A (RMS)
12	12	4.166	6	8.332
14	14	3.571	7	7.142
18	18	2.777	9	5.554
24	24	2.083	12	4.166
30	30	1.666	15	3.332
36	36	1.388	18	2.776
44	44	1.136	22	2.272
48	48	1.041	24	2.082

ACTT-6K-	SERIES		PARALLEL	
	V (C.T.)	A (RMS)	V	A (RMS)
12	12	5.416	6	10.832
14	14	4.642	7	9.284
18	18	3.611	9	7.222
24	24	2.708	12	5.416
30	30	2.116	15	4.322
36	36	1.085	18	3.61
44	44	1.177	22	2.954
48	48	1.354	24	2.708

ACTT-6L-	SERIES		PARALLEL	
	V (C.T.)	A (RMS)	V	A (RMS)
12	12	7.083	6	14.166
14	14	6.071	7	12.142
18	18	4.722	9	9.444
24	24	3.541	12	7.082
30	30	2.833	15	5.666
36	36	2.361	18	4.722
44	44	1.931	22	3.862
48	48	1.770	24	3.540