

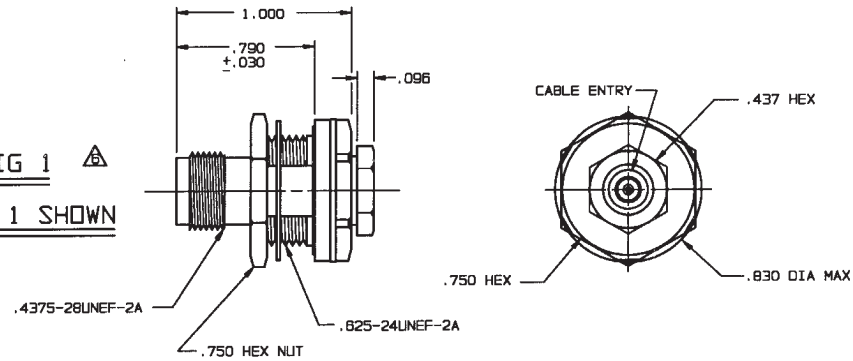
# RED INDICATES ORIGINAL

DATA CONTAINED IN THIS DOCUMENT IS PROPRIETARY TO TROMPETER ELECTRONICS, INC. AND SHALL NOT BE DISCLOSED, COPIED OR USED FOR PRODUCTION OR MANUFACTURE WITHOUT EXPRESS WRITTEN PERMISSION.

REV		ED	DESCRIPTION	OWN	APPROVED	DATE
H		10956	.830 DIA WAS .810 DIA; GENERAL UPDATE; SEE ECD	DKC	Bum: <i>FB</i>	1/1/78

DASH NO	FIG	CABLES ACCOMMODATED	ASSEMBLE PER
-1	1, 3	RG-58	TAI-101
-U1			
-2			
-U2			
-2A			
-U2A			
-2B			
-U2B			
-3			
-U3			
-3A			
-U3A			
-4			
-U4			
-5			
-U5			
-5A			
-U5A			
-5B			
-U5B			
-21		2	
-U21			
-22			
-U22			
-31			
-U31			
-34			
-U34			
-36			
-U36			
-41			
-U41			
-44			
-U44			
-53			
-U53			
-63			
-U63			
-86			
-U86			
-141			
-U141			

FIG 1  
- 1 SHOWN



INCH	MM
.005	0.13
.030	0.76
.096	2.44
.125	3.18
.187	4.75
.250	6.35
.281	7.14
.284	7.21
.312	7.92
.437	11.10
.630	16.00
.635	16.13
.750	19.05
.790	20.07
.830	21.08
1.000	24.40
1.406	35.71
1.846	46.89

FIG 2  
- .086 SHOWN

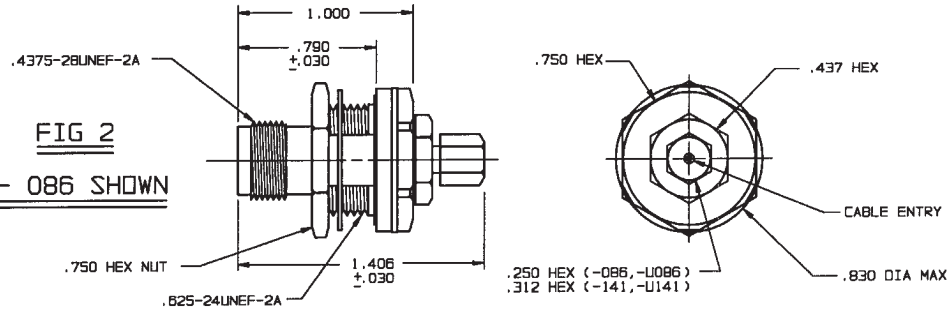
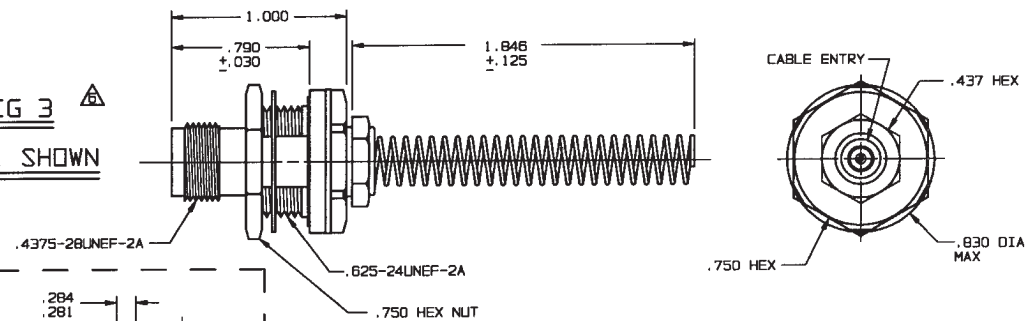


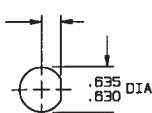
FIG 3  
- 1 SHOWN



IF BEND RELIEF SPRING REQUIRED (FIG 3) ADD SUFFIX "BR" TO MODEL NO (NOT AVAILABLE WITH CABLE GROUPS -63, -U63, -086, -U086, -141 & -U141)

- FEMALE TYPE TNC COAXIAL INSULATED BULKHEAD JACKS BOTH 50 & 75 OHM VERSIONS
- MAX PANEL THK .187
- DASH NO DENOTES CABLE GROUP EXCEPT "U" PREFIX DENOTES 75 OHM VERSION
- FINISH: TFS-1A (NICKEL)
- ALL DIM ARE IN INCHES

RECOMMENDED  
PANEL CUTOUT  
SCALE: NONE



QTY	DESCRIPTION	PART NUMBER	ITEM
TOL UNLESS SPECIFIED	<b>TROMPETER ELECTRONICS, INC.</b>		
.XX ±		BJ46/UBJ46	
.XXX ±		BJ46BR/UBJ46BR	
.XXXX ±			
ANGLE			
105-00717	DWN DKC 11-30-94	MATERIAL	CODE IDENT
105-0623	CHK <i>Bum</i> 1-5-95	14949	DRAWING NO.
105-1016	ENGR	1-0448	REV
105-0552	APPR <i>FB</i> 1/5/95	DATE 1/17/78	SHEET 1 OF 2
NEXT ASSY	SCALE 2/1		