

THIS DRAWING IS UNPUBLISHED. RELEASED FOR PUBLICATION
 © COPYRIGHT - BY TYCO ELECTRONICS CORPORATION. ALL RIGHTS RESERVED.

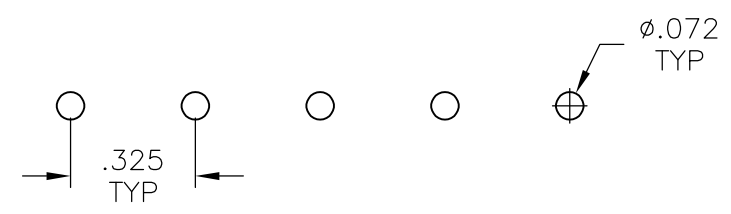
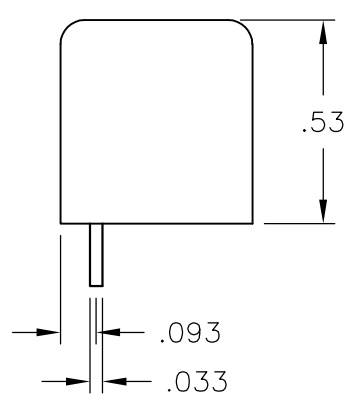
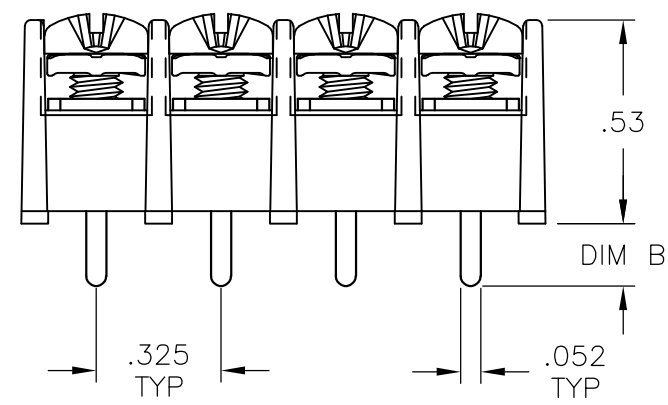
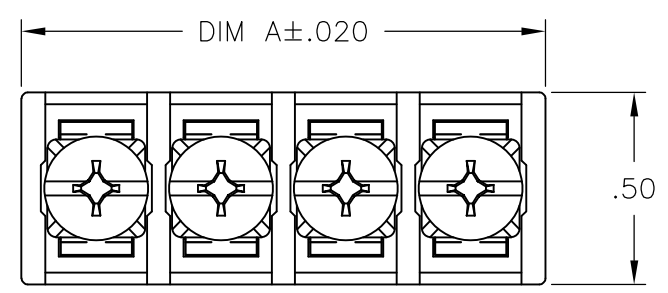
LOC	DIST	REVISIONS					
FT	0	P	LTR	DESCRIPTION	DATE	DWN	APVD
			N1	REVISED PER ECO-09-013797	10JUN09	HMR	CR

MATERIAL:
 HOUSING: THERMOPLASTIC PA, UL94V-0, BLACK.
 TERMINAL: BRIGHT TIN PLATED, COPPER ALLOY.
 SCREW: 6-32, STEEL, ZINC PLATED CLEAR CHROMATE.

ELECTRICAL:
 UL CLASS C: 20A, 150V.
 UL CLASS D: 10A, 300V.
 CSA TYPE B: 20A, 300V.
 CSA TYPE C: 20A, 300V.
 CSA TYPE D: 10A, 300V.
 CSA TYPE E: 20A, 300V.
 WIRE RANGE: 12-22 AWG

MECHANICAL:
 MAXIMUM TORQUE RATING: 7 IN-LBS.
 RUNNING TORQUE: 0.5-3.5 IN-LBS UNLESS OTHERWISE STATED.

- ① SCREWS ARE BOTTOMED, NO THREAD INTERRUPT.
- ② SCREWS ARE NICKEL PLATED BRASS.
- ③ SCREWS ARE CAPTIVE.
- ④ SEE FIGURE.
- ⑤ PRELIMINARY PART NUMBER.



RECOMMENDED PCB LAYOUT

	DIM B	CATALOG NUMBER	DIM A	NO OF POSN	PART NUMBER
⑤ ④	.160	4DB-P108-18	5.915	18	4-1437667-4
⑤ ④	.160	4DB-P108-16-105	5.590	17	2-796628-4
	.160	4DB-P108-17	5.590	17	4-1437667-2
	.160	4DB-P108-16	5.265	16	4-1437667-0
	.160	4DB-P108-15	4.940	15	3-1437667-9
② ①	.160	4DB-P108-14-102	4.615	14	2-796658-5
②	.160	4DB-P108-14-102	4.615	14	2-796658-3
	.160	4DB-P108-14	4.615	14	3-1437667-8
	.160	4DB-P108-13	4.290	13	3-1437667-7
	.160	4DB-P108-12	3.965	12	3-1437667-6
	.160	4DB-P108-11	3.640	11	3-1437667-5
	.160	4DB-P108-10	3.315	10	3-1437667-3
⑤ ②	.160	4DB-P106-09-094	2.990	9	1-796658-7
	.160	4DB-P108-09	2.990	9	3-1437667-2
①	.160	4DB-P108-08-091	2.665	8	1-796658-4
	.160	4DB-P108-08	2.665	8	3-1437667-1
⑤ ③ ②	.160	4DB-P106-07-100	2.340	7	2-796658-2
	.160	4DB-P106-07-093	2.340	7	1-796658-6
	.160	4DB-P108-07	2.340	7	3-1437667-0
⑤ ③ ②	.160	4DB-P106-06-099	2.015	6	2-796658-1
①	.160	4DB-P108-06-090	2.015	6	1-796658-3
⑤	.200	4DB-P108-06	2.015	6	2-796658-6
	.160	4DB-P108-06	2.015	6	2-1437667-9
⑤ ③ ②	.160	4DB-P106-05-098	1.690	5	2-796658-0
④	.160	4DB-P108-05-093	1.690	5	1-796658-5
	.160	4DB-P108-05	1.690	5	2-1437667-8
⑤ ③ ②	.160	4DB-P106-04-097	1.365	4	1-796658-9
①	.160	4DB-P108-04-089	1.365	4	1-796658-2
	.160	4DB-P108-04	1.365	4	2-1437667-6
⑤ ③ ②	.160	4DB-P106-03-096	1.040	3	1-796658-8
①	.160	4DB-P108-03-088	1.040	3	1-796658-1
	.160	4DB-P108-03	1.040	3	2-1437667-5
	.160	4DB-P108-02	.715	2	2-1437667-4

THIS DRAWING IS A CONTROLLED DOCUMENT.		DWN S WELDON 01MAY2003	Tyco Electronics Corporation Harrisburg, Pa 17105-3608	
DIMENSIONS: INCHES		CHK S YODER 5/1/03	Tyco Electronics	
TOLERANCES UNLESS OTHERWISE SPECIFIED:		APVD S YODER 5/1/03	ASSEMBLY, DUAL BARRIER 4DB-P108-XX	
0 PLC ± -	1 PLC ± -	PRODUCT SPEC	-	
2 PLC ± .01	3 PLC ± .005	APPLICATION SPEC	-	
4 PLC ± -	ANGLES ± 1°	WEIGHT	-	
MATERIAL	FINISH	SIZE CAGE CODE DRAWING NO RESTRICTED TO		
-	-	A3 00779 C-2-1437667-4		
CUSTOMER DRAWING		SCALE	SHEET	REV
		NTS	1 OF 2	N1

4

3

2

1

THIS DRAWING IS UNPUBLISHED.

RELEASED FOR PUBLICATION

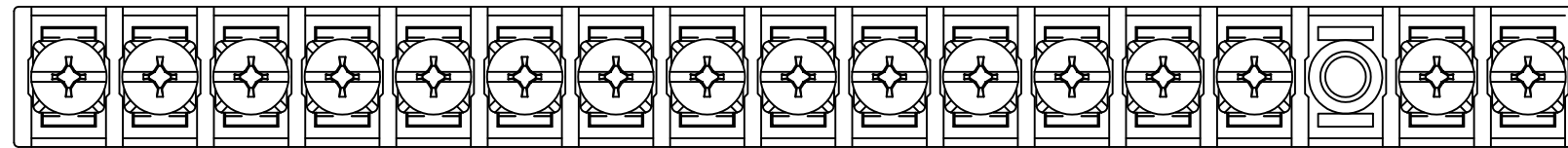
LOC DIST

REVISIONS

© COPYRIGHT - BY TYCO ELECTRONICS CORPORATION. ALL RIGHTS RESERVED.


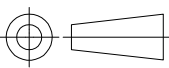
FT 0

P	LTR	DESCRIPTION	DATE	DWN	APVD
	-	SEE SHEET 1	-	-	-



2-796658-4

.160	4DB-P108-30	9.815	30	5-1437667-5
.160	4DB-P108-29	9.490	29	796658-9
.160	4DB-P108-28	9.165	28	5-1437667-3
.160	4DB-P108-27	8.840	27	796658-8
.160	4DB-P108-26	8.515	26	5-1437667-2
.160	4DB-P108-25	8.190	25	796658-7
.160	4DB-P108-24	7.865	24	5-1437667-0
.160	4DB-P108-23	7.540	23	796658-6
.160	4DB-P108-22	7.215	22	4-1437667-8
.160	4DB-P108-21	6.890	21	796658-2
.160	4DB-P108-20	6.565	20	4-1437667-6
.160	4DB-P108-19	6.240	19	4-1437667-5
DIM B	CATALOG NUMBER	DIM A	NO OF POSN	PART NUMBER

THIS DRAWING IS A CONTROLLED DOCUMENT.		DWN S WELDON 01MAY2003	 Tyco Electronics Corporation Harrisburg, Pa 17105-3608	
DIMENSIONS: INCHES		CHK S YODER 5/1/03	NAME ASSEMBLY, DUAL BARRIER 4DB-P108-XX	
		APVD S YODER 5/1/03	PRODUCT SPEC -	
TOLERANCES UNLESS OTHERWISE SPECIFIED:		APPLICATION SPEC -	SIZE A3	CAGE CODE 00779
0 PLC ± -		RESTRICTED TO -	DRAWING NO C-2-1437667-4	
1 PLC ± -		WEIGHT -	SCALE NTS	
2 PLC ± .01		SHEET 2 OF 2		
3 PLC ± .005		REV N1		
4 PLC ± -		CUSTOMER DRAWING		
ANGLES ± 1°		FINISH -		
MATERIAL -		-		