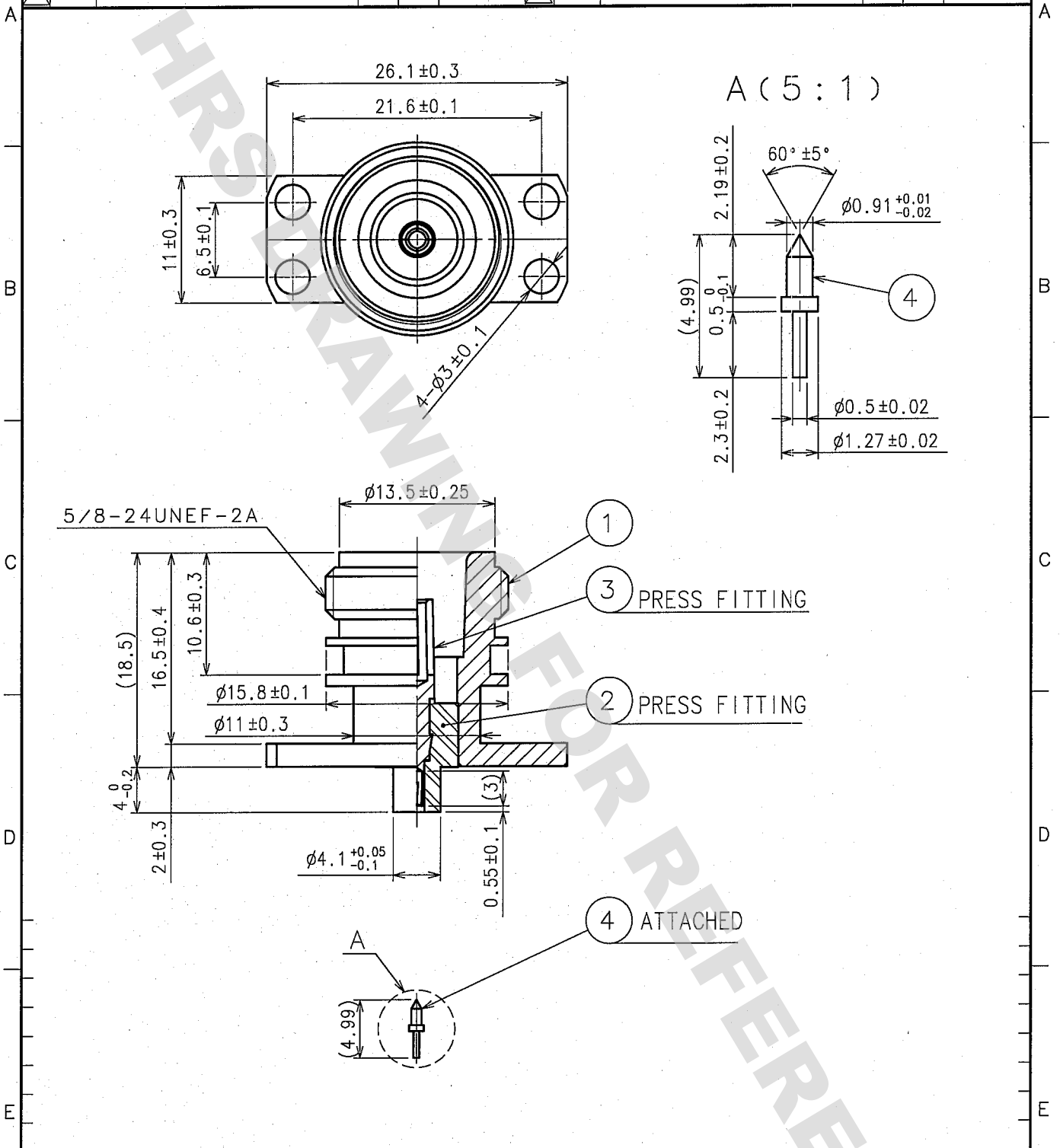


DRAWING FOR REFERENCE: This is subject to change without notice  
08/11/2012

1		2			3			4		
COUNT	DESCRIPTION OF REVISIONS	BY	CHKD	DATE	COUNT	DESCRIPTION OF REVISIONS	BY	CHKD	DATE	
△					△				..	
△					△				..	
△					△				..	



2	PTFE		4	BRASS	GOLD PLATING
1	BRASS	NICKEL PLATING	3	BERYLLIUM COPPER	GOLD PLATING
NO.	MATERIAL	FINISH, REMARKS	NO.	MATERIAL	FINISH, REMARKS

CODE NO. (OLD) CL		DRAWN	DESIGNED	CHECKED	APPROVED	RELEASED
RoHS COMPLIANT		<i>m. Haneko</i>	<i>T. Kitayama</i>	<i>H. Shimizu</i>	<i>J. Mitani</i>	
		05.9.5	05.9.13	05.09.13	05.09.14	

 SCALE 2 : 1 UNITS mm	DRAWING NO. EDC4-134844-41	PART NO. N-R-40(41)
	 HIROSE ELECTRIC CO., LTD.	CODE NO. CL301-0278-8-41

TO
RF