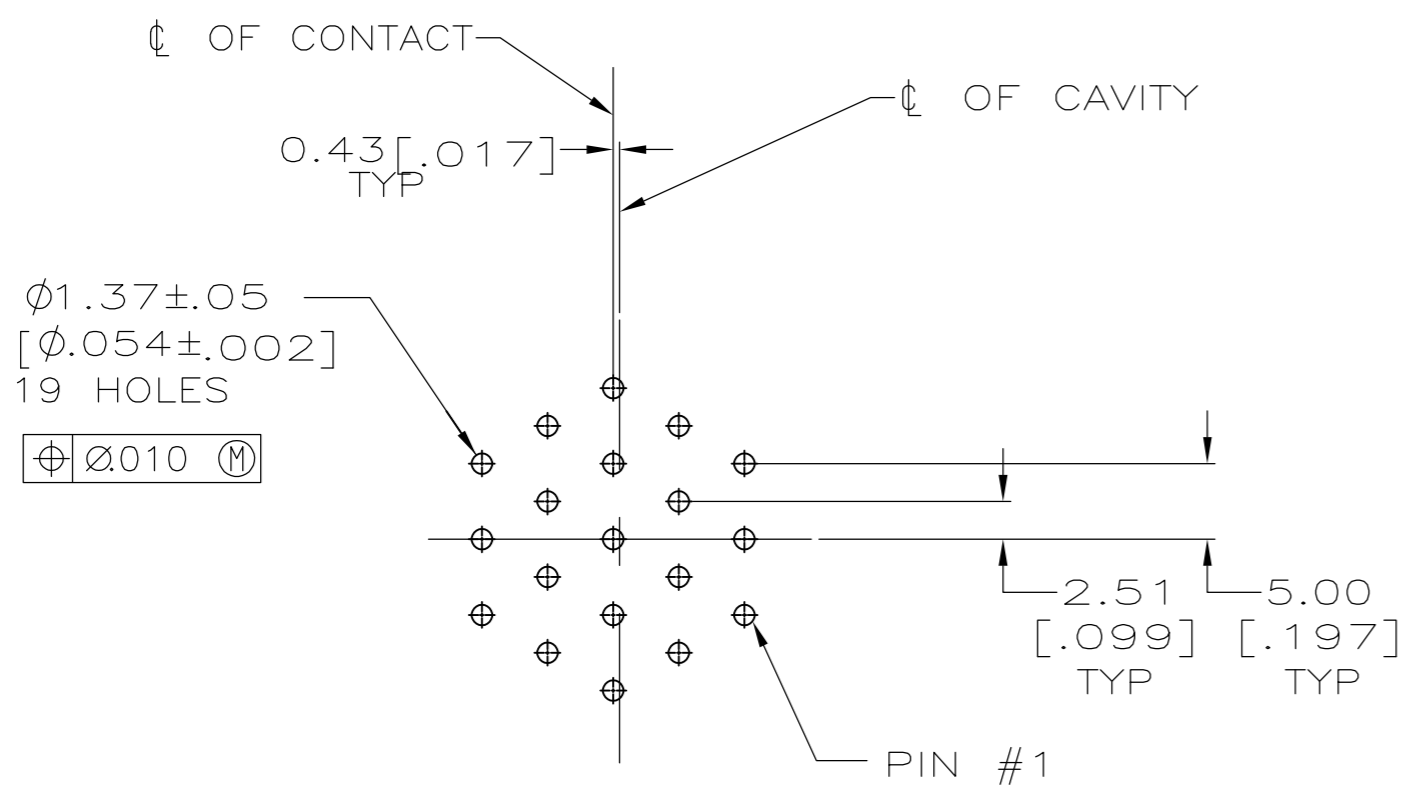
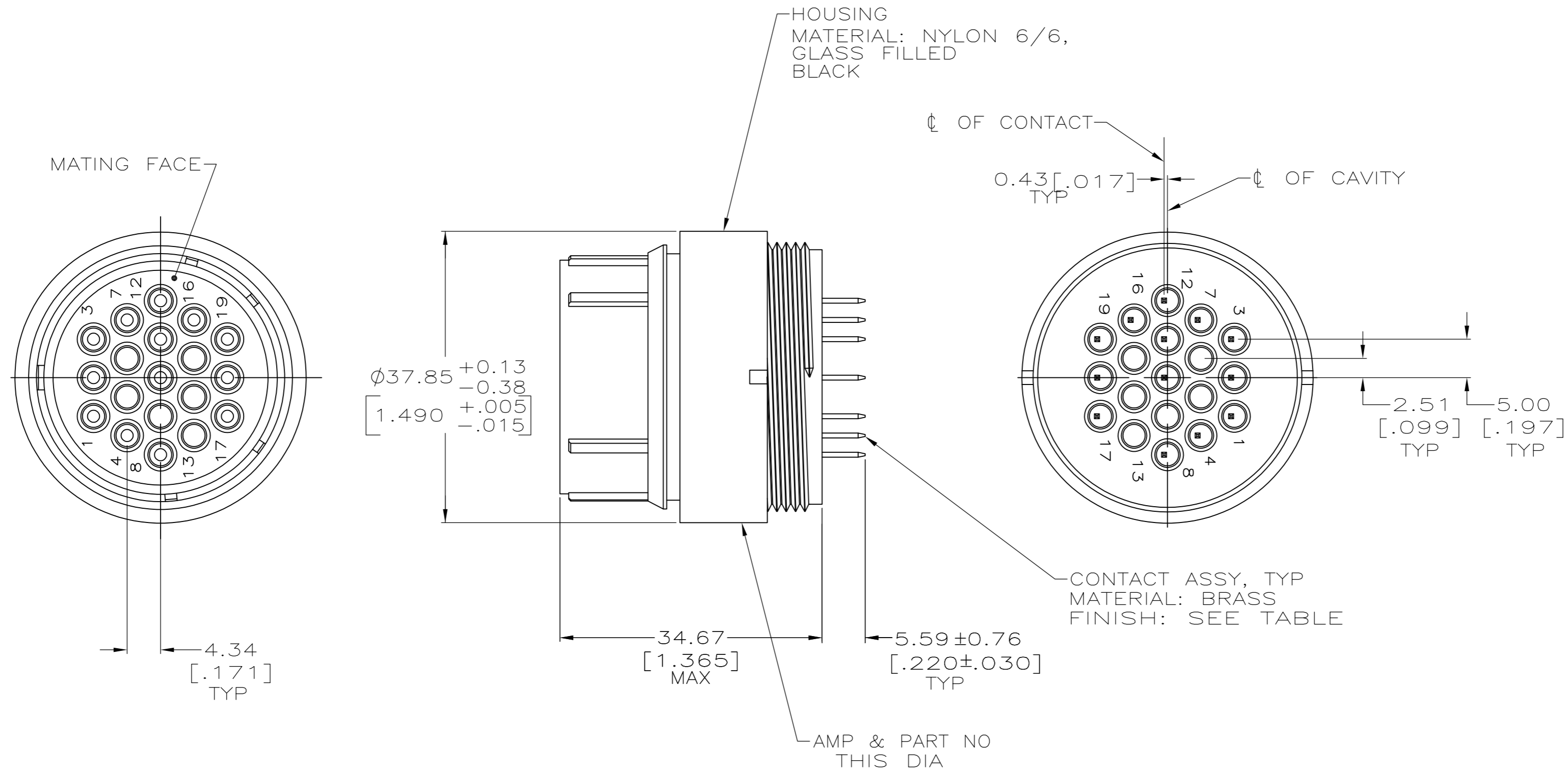


THIS DRAWING IS UNPUBLISHED. RELEASED FOR PUBLICATION
 © COPYRIGHT BY TYCO ELECTRONICS CORPORATION. ALL RIGHTS RESERVED.

| LOC | DIST | REVISIONS | | | | | |
|-----|------|-----------|-----|---------------------------|---------|-----|------|
| FT | 0 | P | LTR | DESCRIPTION | DATE | DWN | APVD |
| | | B | | REVISED PER 0G3B-0100-05 | 5/3/05 | SS | HW |
| | | B1 | | REVISED PER ECO-09-022908 | 08OCT09 | KK | AEG |



- CONTACT CAVITIES IDENTIFIED BY CHARACTERS ON FRONT AND REAR FACES OF CONNECTOR.
- SELECTIVELY LOADED POSITIONS 1 THRU 4, 7, 8, 10, 11, 12, 16 THRU 19.
- 2.54um [.000010] MIN TIN-LEAD OVER 1.27um [.000050] MIN NICKEL.
- 2.54um [.000010] MIN TIN OVER 1.27um [.000050] MIN NICKEL.
- OBSOLETE PARTS: OBSOLETE CIS STREAMLINING PER D.RENAUD/D.SINISI

| | | |
|------------|----------------|------------|
| 5 OBSOLETE | 4 | 1 788107 1 |
| | 3 | 788107-1 |
| | CONTACT FINISH | PART NO. |

| | | | | |
|--|--|---------------------------------|--|--|
| THIS DRAWING IS A CONTROLLED DOCUMENT. | | DWN 17 DEC 97 P. BENNINGHOVE | Tyco Electronics Corporation Harrisburg, Pa 17105-3608 | |
| DIMENSIONS: mm [INCHES] | | CHK 6 JAN 98 R. STONE | NAME PLUG ASSY, SHELL SIZE 23, REVERSE SEX, SPECIAL VDE, CPC | |
| TOLERANCES UNLESS OTHERWISE SPECIFIED: | | APVD 6 JAN 98 K. DOWHOWER | PRODUCT SPEC 108-10024 | |
| 0 PLC ± - | | APPLICATION SPEC 114-10038 | | |
| 1 PLC ± - | | SIZE A2 | | |
| 2 PLC ± 0.13 [.005] | | CAGE CODE 00779 | | |
| 3 PLC ± - | | DRAWING NO C=788107 | | |
| 4 PLC ± - | | RESTRICTED TO - | | |
| ANGLES ± - | | SCALE 2:1 | | |
| FINISH SEE CALLOUTS | | SHEET 1 OF 1 | | |
| MATERIAL SEE CALLOUTS | | REV B1 | | |
| CUSTOMER DRAWING | | | | |

Mouser Electronics

Authorized Distributor

Click to View Pricing, Inventory, Delivery & Lifecycle Information:

[TE Connectivity:](#)

[788107-1](#)