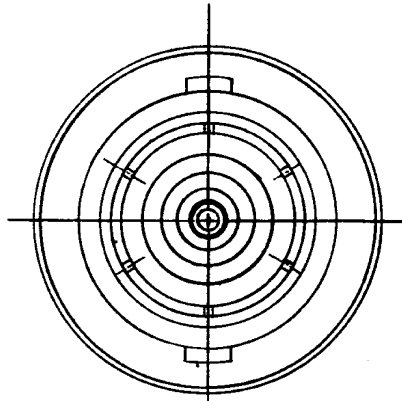
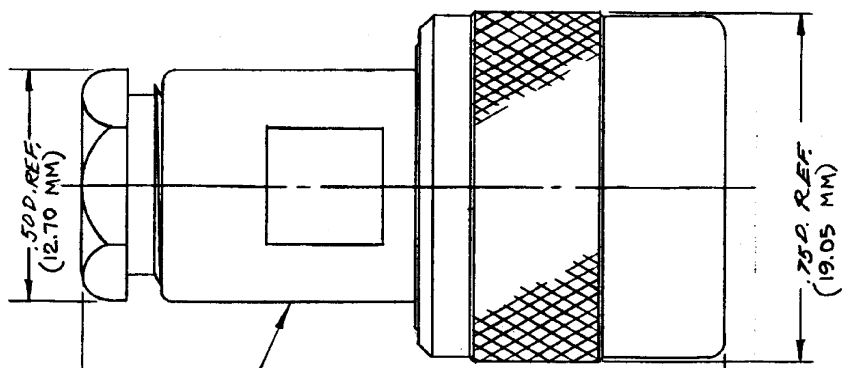


S-D

M39012/15-0002

S-D



STAMP:  
91836 M39012/15-0002, KD-59-130 XXXX

.134 REF.  
(3.403 MM)

DATE CODE

NOTES:  
FOR USE WITH RG 55, 58 & 223/U CABLE GROUPS.

| REVISIONS |                             |
|-----------|-----------------------------|
| ISSUE     | CHANGES                     |
| 3         | CN 23168 E<br>GJG 25 MAR 82 |
| 4         | CN 32256 A<br>LNM 5 JUN 90  |
| 5         | CN 38757 E<br>BDH 22 JAN 03 |

|  |                          |
|--|--------------------------|
| KD-59-130  |                          |
| REF  | SUPERSEDES<br>UG 709 B/U |
| FINISH   |                          |
| SPEC.  |                          |
| MATL.  |                          |
| SPEC.  |                          |
| C PLUG   |                          |
| DRAWN  | CRS                      |
| DATE   | 13 APR 70                |
| APPR.  | DATE                     |
| KINGS ELECTRONICS<br>40 MARBLEDALE ROAD<br>TUCKAHOE, N. Y. 10707 |                          |
| M39012/15-0002   |                          |

UNLESS OTHERWISE SPECIFIED:

1. TOLERANCES: FRACTIONS & 2 PLACE DECIMALS ± .010  
3 PLACE DECIMALS ± .004 ANGLES ± 0° 30'
2. REMOVE ALL BURRS, BREAK SHARP EDGES .005 MAX.
3. NO FILLETS PERMITTED.
4. SURFACE ROUGHNESS 63 MICROINCHES RMS MAX.
5. ALL DIMENSIONS PRIOR TO PLATING.

| ITEM | REQ'D | DESCRIPTION | DRAWING NO. |
|------|-------|-------------|-------------|
|      |       |             |             |

S-D