

TABLE 1

DASH NO. [△] / ₆	CABLES ACCOMODATED	ASSEMBLE PER	DIM "D"	DIM "E"
-201	M17/176-00002	TAI-201	1.540	1.375
-202	TWC-78-1			
-203	TWC-124-1A			
-204	10602, RAYCHEM			
-205	TWAC-78-1F2			
-206	7826D0130, RAYCHEM			
-207	83310, BELDEN			
-208	202-3927, MICRODOT			
-209	202-3942, MICRODOT			
-210	8451, BELDEN			
-211	202-3934, MICRODOT			
-212	2524E0114, RAYCHEM			
-213	TWC-78-2			
-214	TWC-124-2			
-215	BL982, TIMES			
-216	BL1242, TIMES			
-217	M27500-22 RC2S06			
-218	EDP221888, RAYCHEM			
-219	252601114, RAYCHEM			
-220	GC875RRI, GRUMMAN			
-221	10614, RAYCHEM GC875TM24H, GRUMMAN			
-222	10613, RAYCHEM			
-223	HMS2-1149, HUGHES			
-224	TWCP-124-3			
-225	PS665PL, PRIME STOCK			
-226	TWCP-124-5	TAI-209	1.660	1.495

TABLE 2
POLARIZATION CHART

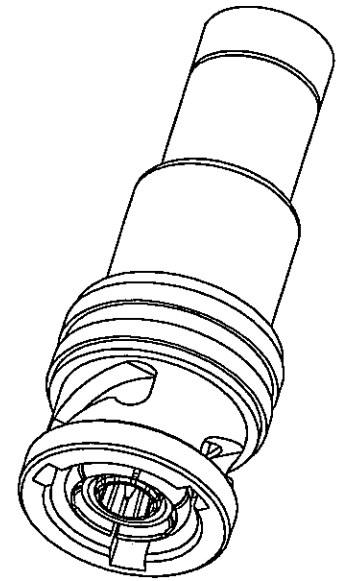
KEY LETTER	A DEGREES	B DEGREES	C DEGREES
NONE	120°	120°	120°
T	100°	150°	110°
U	120°	130°	110°
V	115°	130°	115°
W	125°	110°	125°
X	130°	100°	130°
Y	110°	140°	110°
Z	100°	160°	100°
S	135°	135°	90°

DATA CONTAINED IN THIS DOCUMENT IS PROPRIETARY OF TROMPETER ELECTRONICS INC. AND SHALL NOT BE DISCLOSED, COPIED OR USED FOR PROCUREMENT OR MANUFACTURE WITHOUT EXPRESS WRITTEN PERMISSION.

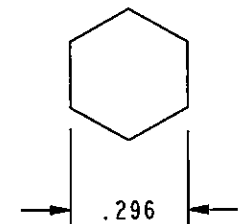
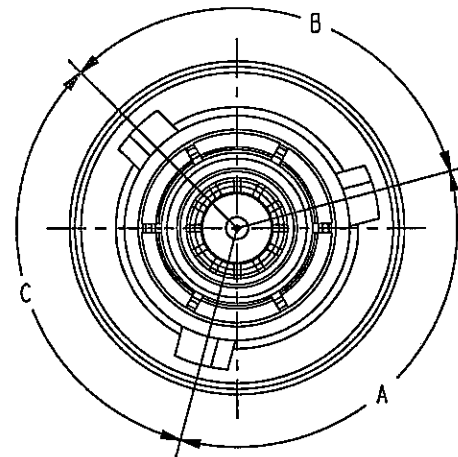
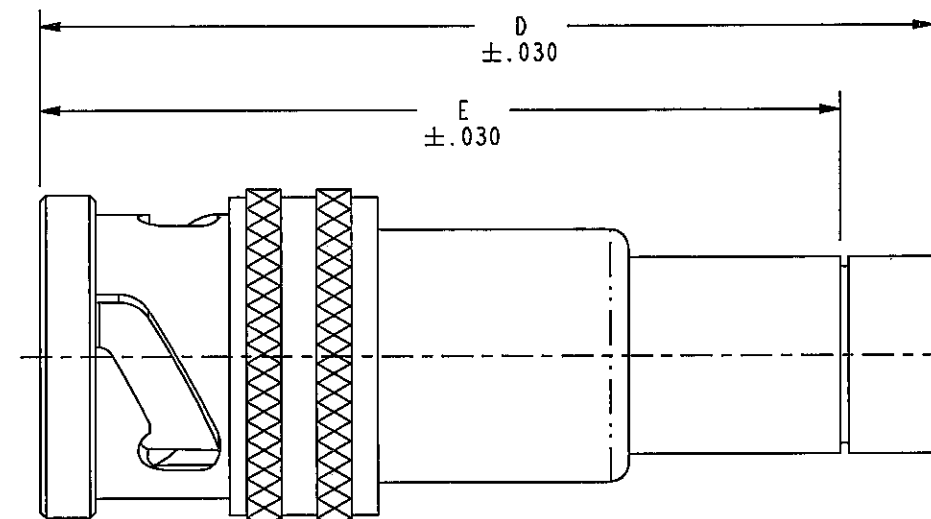
REVISIONS

REV	DESCRIPTION	DATE	APPROVED
E	REVISED PER ECO 15509	7-9-09	MM

RED INDICATES ORIGINAL



SCALE 2/1



RECOMMENDED HEX CRIMP
SCALE 2/1

△ CHECK WITH CABLE MANUFACTURER FOR OUTGASSING PROPERTIES OF THE SELECTED CABLE

5. ALL MATERIALS MEET THE OUTGASSING REQUIREMENTS OF NASA SPECIFICATION SP-R-0022A.

4. EXAMPLE OF COMPLETE PART NO:

305-1467-T-201 CABLE GROUP DASH NO (SEE TABLE 1)

BASIC PART NO. POLARIZATION LETTER NONE REQUIRED. FOR STD POLARIZATION (SEE TABLE 2)

3. CONCENTRIC TWINAX 3-LUG TRB, MILITARY FULL CRIMP CABLE PLUG

2. FINISH: TFS-1A (NICKEL)

1. ALL DIMENSIONS ARE IN INCHES

NOTES: UNLESS OTHERWISE SPECIFIED.

INTERPRET DRAWING PER MIL-STD-100. DIMENSIONS ARE IN INCHES AND INCLUDE FINISH THICKNESS UNLESS OTHERWISE SPECIFIED		TOL: UNLESS SPECIFIED .XX ± .02 .XXX ± .010 ANGLE ± 1°		
DRN L.M.	6-24-04	MATERIAL	TITLE: VACUUM READY PL75MC/T/U/V/ W/X/Y/Z	
CHK T.Kla	7-8-04	FINISH	SIZE B CAGE CODE 14949 DRAWING NO. 305-1467 DATE 12/28/99	REV E SHEET 1C
QUALITY K.Mash	7/9/04			
APPROVED K.Mash	7/9/04	SCALE 3/1		
PROJ. FILE NO. 305-1467				