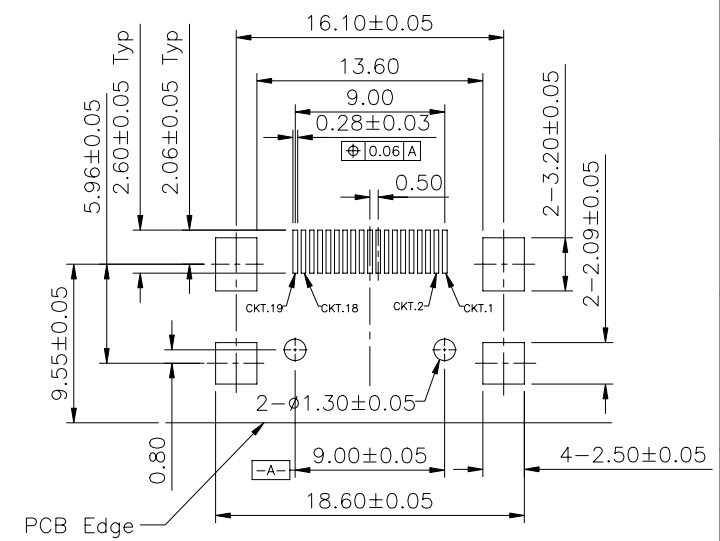
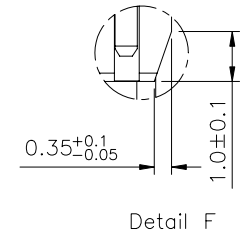
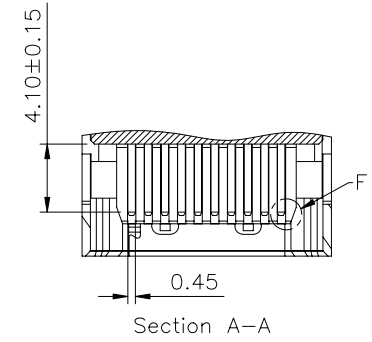
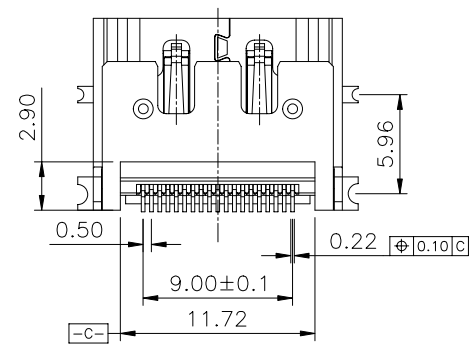
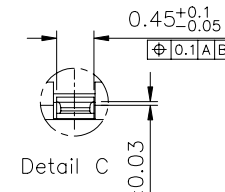
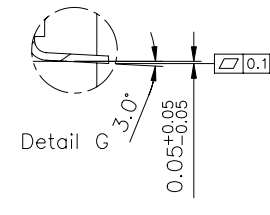
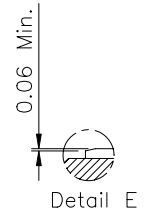
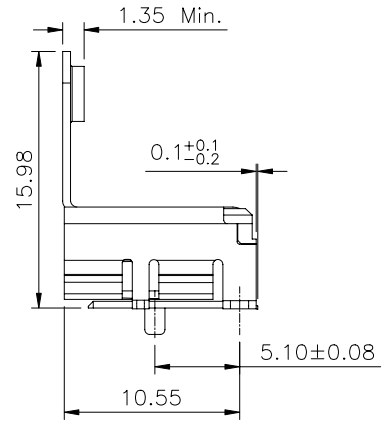
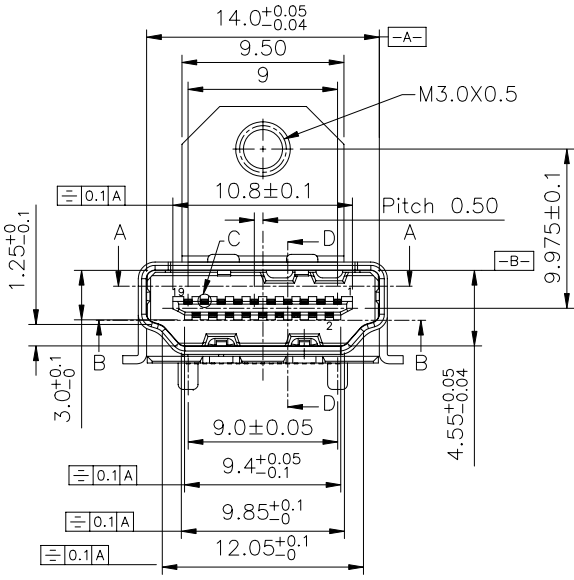


**SPECIFICATION**  
 Terminal Retention Force To Be 0.3Kgf Min.  
 Terminal Cut-Off Burr To Be 0.05 Max.  
 RoHS Compliant



Item	Name	Material	Finish/Color	Q'ty
1	Housing	LCP	Black,UL 94V-0	1
2	Shell	Brass	Ni	1
3	Long Contact	Phosphor Bronze	Ni+Au+Sn	10
4	Short Contact	Phosphor Bronze	Ni+Au+Sn	9

**AUK** A MEMBER OF AUK GROUP  
**太聯事業股份有限公司**  
**AUK CONTRACTORS CO., LTD.**

CATEGORY	APPROVED BY	MEI	UNLESS OTHERWISE SPECIFIED TOLERANCES ARE
PART No. HDM19SWP-P-H	CHECKED BY		
DRAWING No. HDM19SWP-P-H	DRAWING BY	XYH	.X ±0.25 X' ±3' .XX ±0.2 X' ±2'
SCALE	NONE	REV.	A0

UNIT	mm	NO.	REV.	A0	NEW RELEASE	HZF	11/06/2008
NO.	REV.	REVISIONS	CHK	DATE			