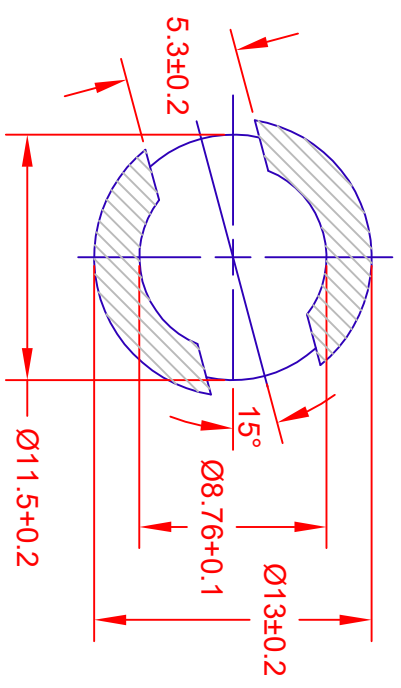
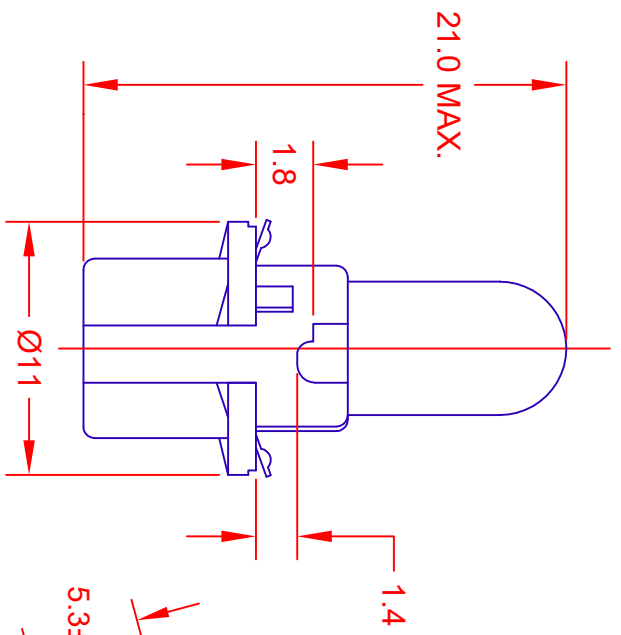
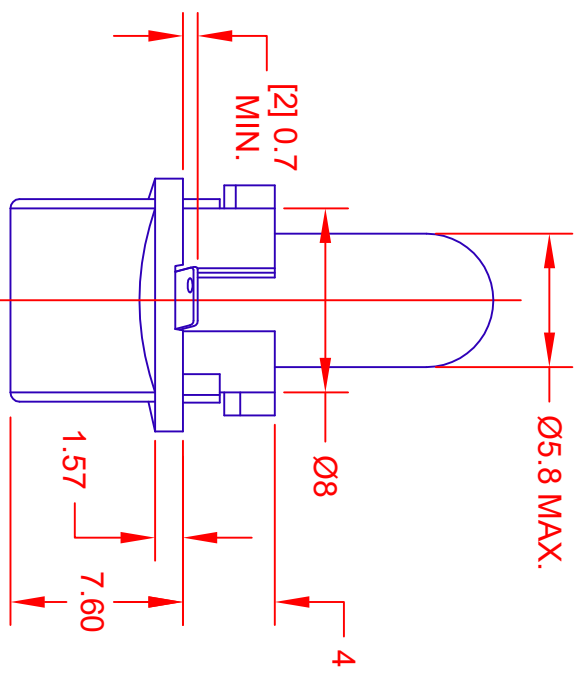
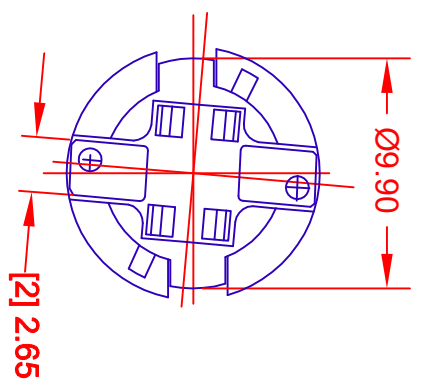
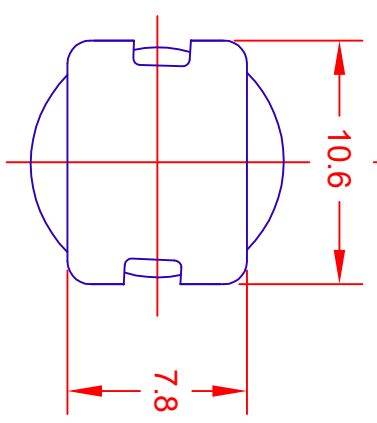


REV.	DESCRIPTION	DATE
	RELEASED	11/26/18
A	ADD BOARD PATTERN	4/24/19

JKL 2925 BLACK SOCKET WITH CUSTOMER SUPPLIED LAMP INSERTED.
JKL PART NO.: 17CSL/2925



P.C. BOARD PATTERN
THICKNESS = 1.6±0.1



METRIC THIRD ANGLE PROJECTION		DIMENSIONS ARE IN MILLIMETERS TOLERANCE UNLESS OTHERWISE SPECIFIED 1 PL +/- 0 2 PL +/- 0 ANGLE +/-	
DRAWN BY	APPR'D BY	DATE	
L. WENGSTROM	S.C.	4/24/19	
JKL COMPONENTS CORPORATION T-1 3/4 WEDGE BASE SOCKET WITH LAMP		SIZE	SCALE
		A	NONE
17CSL/2925		FSGM NO.	REV. NO.
		55335	A
17CSL/2925		DRAWING NO.	SHEET
			1 OF 1
RELEASED DATE	11/26/18	REVISION DATE	4/24/19
- CAD DRAWING - MANUAL REVISIONS NOT PERMITTED			