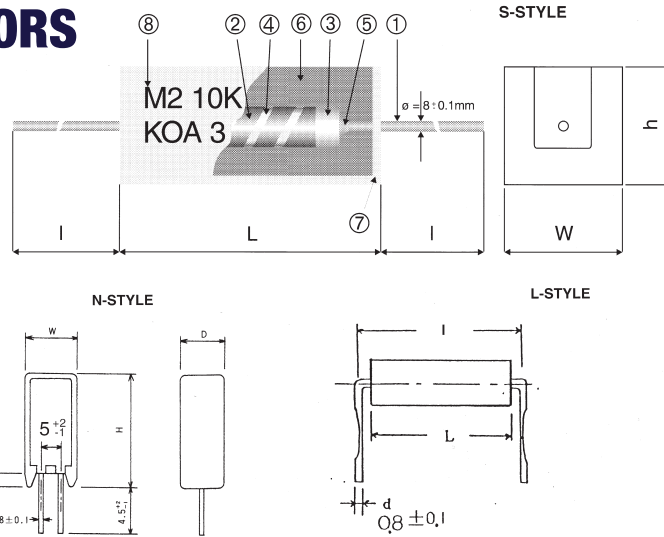


## CIRCUIT PROTECTORS FUSING RESISTORS RECTANGULAR BMF



### STRUCTURE

- 1 Lead wire
- 2 Trimmed metal oxide film
- 3 Steel cap (Cu, Sn plated)
- 4 Ceramic core
- 5 Welding joint
- 6 Special potting material
- 7 Steatite ceramic case
- 8 Marking

### TYPE DESIGNATION (HOW TO ORDER)

<b>BMF</b>	<b>2</b>	<b>C</b>	<b>L</b>	<b>100</b>	<b>J</b>
PRODUCT CODE	POWER RATING Unit: Watt	TERMINATION SURFACE MATERIAL C: SnCu	FORMING L: L-Style N: N-Style 'Blank': S-Style	NOMINAL RESISTANCE 3 digits	RESISTANCE TOLERANCE J: (±5%)

\*Please see "PACKAGING"

All these products have Pb-free terminations and meet EU-RoHS requirements

Contact us when you have control request for environmental hazardous material other than the substance specified by EU-RoHS

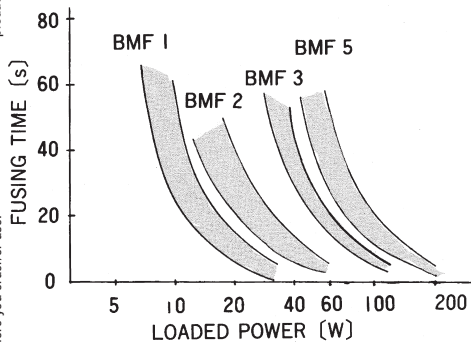
### FEATURES

- Fusible metal oxide film resistor
- Flame retardant type (UL94-0, File No. 55519B) with ceramic case
- Dielectric withstanding voltage is more than 1000 V
- Different forming styles are available
- Rated ambient temperature: +70°C
- Operating temperature range: -40°C ... +155°C

### IDENTIFICATION

PRODUCT CODE	COATING COLOR	MARKING
BMF	White Ceramic Case	Alpha Numeric (Type, Power, R-value, Tolerance, Manufacturer)

### TYPICAL FUSING CHARACTERISTICS



### DIMENSIONS (mm)

TYPE	STYLE	L	W±1	H	D±1	I±3	H <sub>1</sub> ±1.5	H <sub>2</sub> ±1
BMF 1	S	13 ± 1.0	5.5	5.5 ± 1	-	25	-	-
BMF 2	S	18 ± 1.5	6.3	6.3 ± 1	-	30	-	-
BMF 3	S	22 ± 1.5	8.0	8.0 ± 1	-	30	-	-
BMF 5	S	-	9.5	9.5 ± 1	-	30	-	-
BMF 2	N	-	11	20.5 ± 1.5	7	-	-	-
BMF 1	L	13 ± 1	5.5	5.5 ± 1	-	20	6.0	4.0
BMF 2	L	18 ± 1	6.4	6.4 ± 1	-	25	5.8	
BMF 3	L	-	8.0	8.0 ± 1	-	27.5	10.0	
BMF 3	L	22 ± 1	8.0	8.0 ± 1	-	27.5	10.0	
BMF 5	L	-	9.5	9.5 ± 1	-	27.5	10.0	

### RATING

TYPE	T.C.R. (ppm/K)	POWER RATING*	MAX. WORKING VOLTAGE	MAX. OVERLOAD VOLTAGE	RESISTANCE RANGE	FUSING CHARACTERISTICS		
					E12	FUSING POWER		FUSING TIME
						J(±5%)	x 25	
BMF 1	± 350	1 W	$E = \sqrt{P \times R}$	E x 2.5	0.22Ω ... 1kΩ	25 W	-----	60 sec. Max.
BMF 2		2 W				50 W	60 W	
BMF 3		3 W				75 W	90 W	
BMF 5		5 W				125 W	150 W	
						0.22Ω ... 39Ω	43Ω ... 1kΩ	

\* For resistors operated in higher ambient temperature than rated, power rating shall be derated.

Rated voltage =  $\sqrt{\text{Power rating} \times \text{resistance value}}$  Please contact KOA for special precautions before you order and use this series.

Contact our sales representatives before you use our products for applications including automobiles, medical equipment and aerospace equipment. Malfunction or failure of the products in such applications may cause loss of human life or serious damage.

Specifications given herein may be changed at any time without prior notice. Please confirm technical specifications before you order or use.

CIRCUIT PROTECTORS