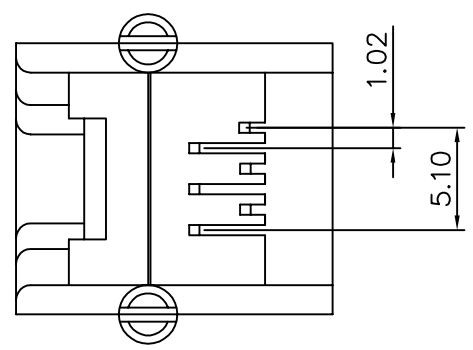


PC Board Layout

SPECIFICATION:
 Housing : PBT Polyester UL 94V-0
 Standard Color-Gray
 Contacts : ϕ 0.46mm Phosphor Bronze
 Gold Plated 6u"



AUK A NUMBER OF AUK GROUP
太聯事業股份有限公司
 AUK CONTRACTORS CO., LTD.

DRAWING No. MJM0606GX06

APPROVED BY MEI
 CHECKED BY RAN
 DRAWING BY HZF

UNLESS OTHERWISE SPECIFIED TOLERANCES ARE
 .X ±0.38
 .XX ±0.25
 .XXX

SCALE NONE REV. A UNIT mm

AREA	REVISIONS	CHK	DATE