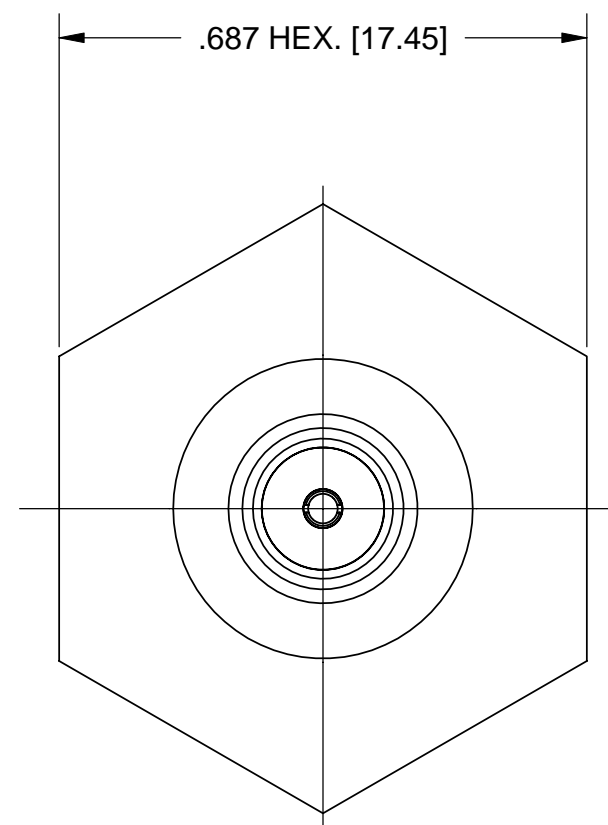
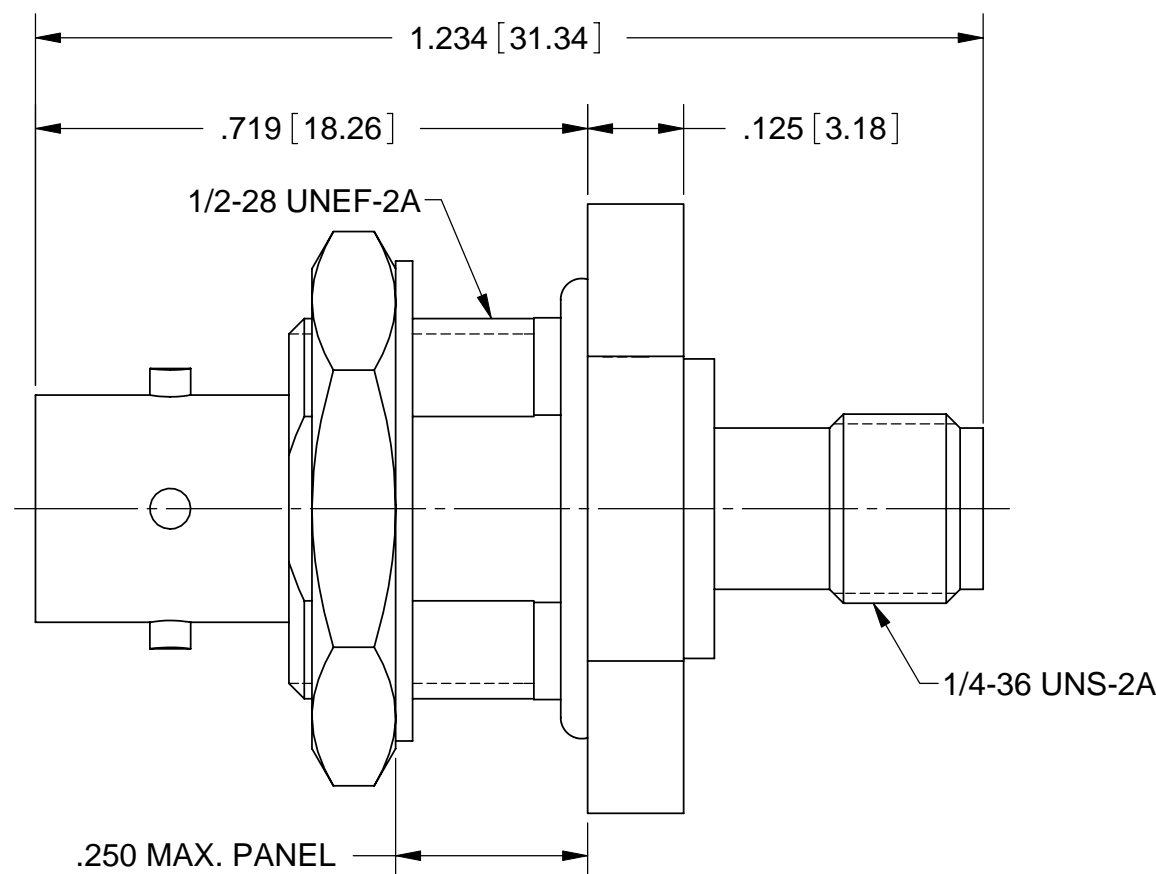


REVISION HISTORY			
REV	DESCRIPTION	DATE	APPROVED
-	DCN 36078	09/08	TM

# PRODUCT DATA DRAWING



**MATERIAL:**

BODY,  
HEX NUT &  
LOCKWASHER:

STAINLESS STEEL PER AMS-5640,  
ALLOY UNS S30300, TYPE 1

CONTACT:

BERYLLIUM COPPER PER ASTM B196,  
ALLOY No. UNS C17300, TD04

INSULATORS:

PTFE PER ASTM D1710, TYPE I, GRADE 1, CLASS B

O-RING:

SILICON RUBBER PER A-A-59588,  
CLASS II B, GRADE 50/60

**FINISH:**

BODY,  
HEX NUT &  
LOCKWASHER:

PASSIVATED PER AMS-2700, TYPE 2

CONTACT:

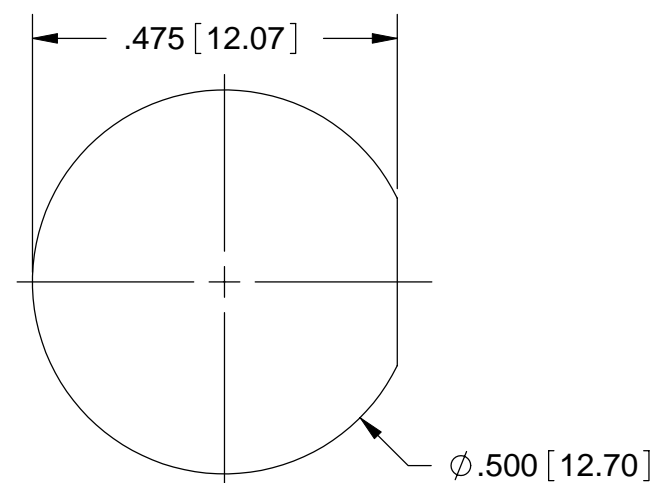
GOLD PER ASTM B488, TYPE II,  
CODE C, CLASS 1.27; OVER NICKEL  
PER AMS-QQ-N-290, CLASS 1, .00005" MIN.

**PERFORMANCE:**

IMPEDANCE:  
FREQ. RANGE:  
VSWR:  
INSERTION LOSS:  
DWV:  
OPERATING TEMP.:  
AVERAGE POWER:

50 OHMS  
DC TO 18.0 GHz  
1.30:1 DC TO 18.0 GHz  
.03 X SQRT(F(F IN GHz))  
1000 VRMS  
-55°C TO +125°C  
80 W

**RECOMMENDED MOUNTING HOLE**



MATERIAL: SEE NOTES	DIMENSIONS ARE IN INCHES TOLERANCES: FRACTIONAL: $\pm 1/64$ ANGULAR: X° $\pm 1'0$ X'X' $\pm 15'$	UNLESS OTHERWISE SPECIFIED 1) ALL DIMENSIONS ARE IN INCHES (MILLIMETERS) 2) ALL DIMENSIONS ARE AFTER PLATING. 3) BREAK CORNERS & EDGES .005 R. MAX. 4) CHAM. 1ST & LAST THREADS. 5) SURFACE ROUGHNESS 63-MIL-STD-10. 6) DIA.'S ON COMMON CENTERS TO BE CONCENTRIC WITHIN .005 T.I.R. 7) REMOVE ALL BURRS	<b>SV Microwave, Inc.</b> 2400 Centrepark West Drive, Suite 100 West Palm Beach, FL 33409
FINISH: SEE NOTES	DECIMAL: .X $\pm .030$ .XX $\pm .010$ .XXX $\pm .005$	INTERPRET DIMENSIONS AND TOLERANCES PER ASME Y14.5M - 1994	TITLE: <b>ZMA BLKHD JACK TO SMA JACK ADAPTER</b>
SURFACE AREA: N/A	THIRD ANGLE PROJECTION	DRAWN: HLP 09/26/08	SIZE: <b>B</b> CAGE CODE: <b>95077</b> DWG. NO.: <b>SF1187-6611</b>
PROPRIETARY THE INFORMATION CONTAINED IN THIS DRAWING IS THE SOLE PROPERTY OF SV MICROWAVE, INC. ANY REPRODUCTION IN PART OR AS A WHOLE WITHOUT THE WRITTEN PERMISSION OF SV MICROWAVE, INC IS PROHIBITED.		CHECKED: TM 09/29/08	SCALE: 4:1
		APPROVED: TM 09/29/08	SHEET 1 OF 1