

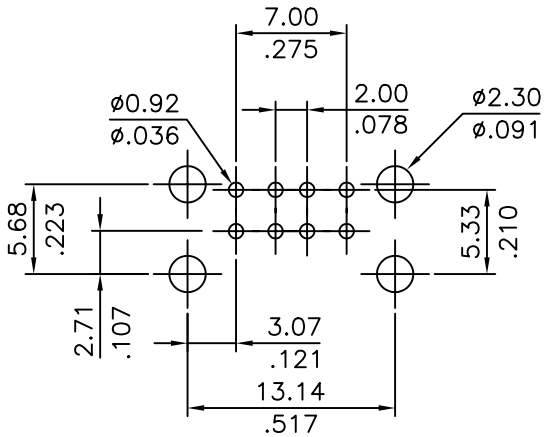
*** 2075 ***

2075 S 1 * 0 * * *
 1 2 3 4 5 6 7 8

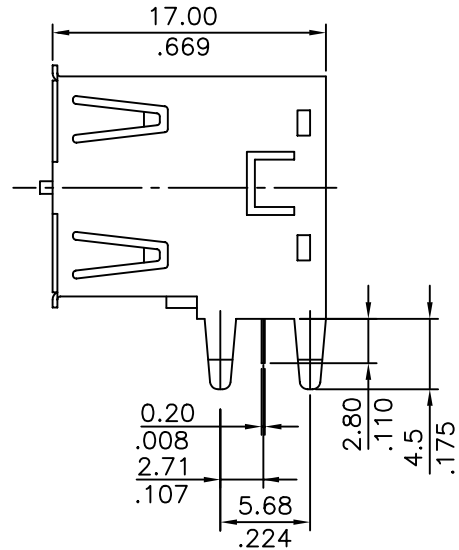
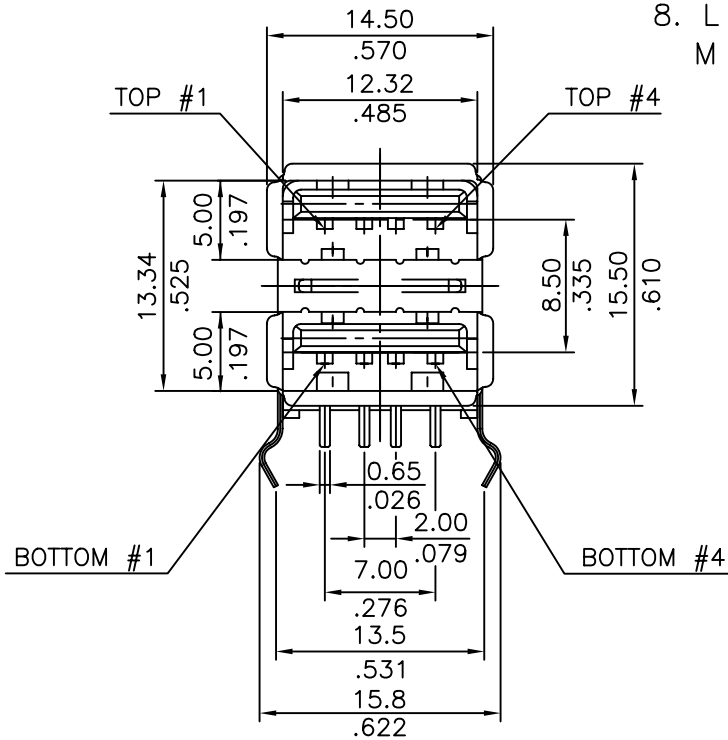
MATERIAL :

- * Insulator : PBT UL94V-0
- * Contactor : Phosphor Bronze
- * Shell : Brass

1. Series No.
2. S : Socket
3. 1 : Double Stack
4. Contact plating:
 F = Selective gold flash over 50?" nickel
 R = Selective gold flash over 30?" Pd-Ni plated over 50?" nickel
 K = 30?" selective gold plated over 50?" nickel
5. Type:
 0 : A Type
6. Type: (H :right angle; V : straight)
 0 : H type
 1 : H type+rear shell
 2 : H type+grounding
 3 : H type+rear shell+grounding
7. Color :
 0 : Beige
 1 : Black
 2 : White
8. L : LEOCO MARK
 M : NO MARK



P.C.B. MOUNTING DIMENSIONS



E	E010143	NICK		LEOCO CORPORATION	APPROVED BY:	PART NO.:					
D	E000084	NICK			GENERAL TOLERANCE	CHECKED BY:	2075S1*0***				
C	E000017	NICK		X. ±	X. ± 2'	TITLE:					
B	E990174	NICK		.X ±	.X ±	DRAWING NO.:					
A	DWG REL	NICK		.XX ±	.XX ±	207537S					
REV.	ECO. NO.	CHG	APPD.	.XXX ±	.XXX ±		UNITS	SCALE	SIZE	SHEET	REV.
							mm / inch	2:1	A4	1/1	E