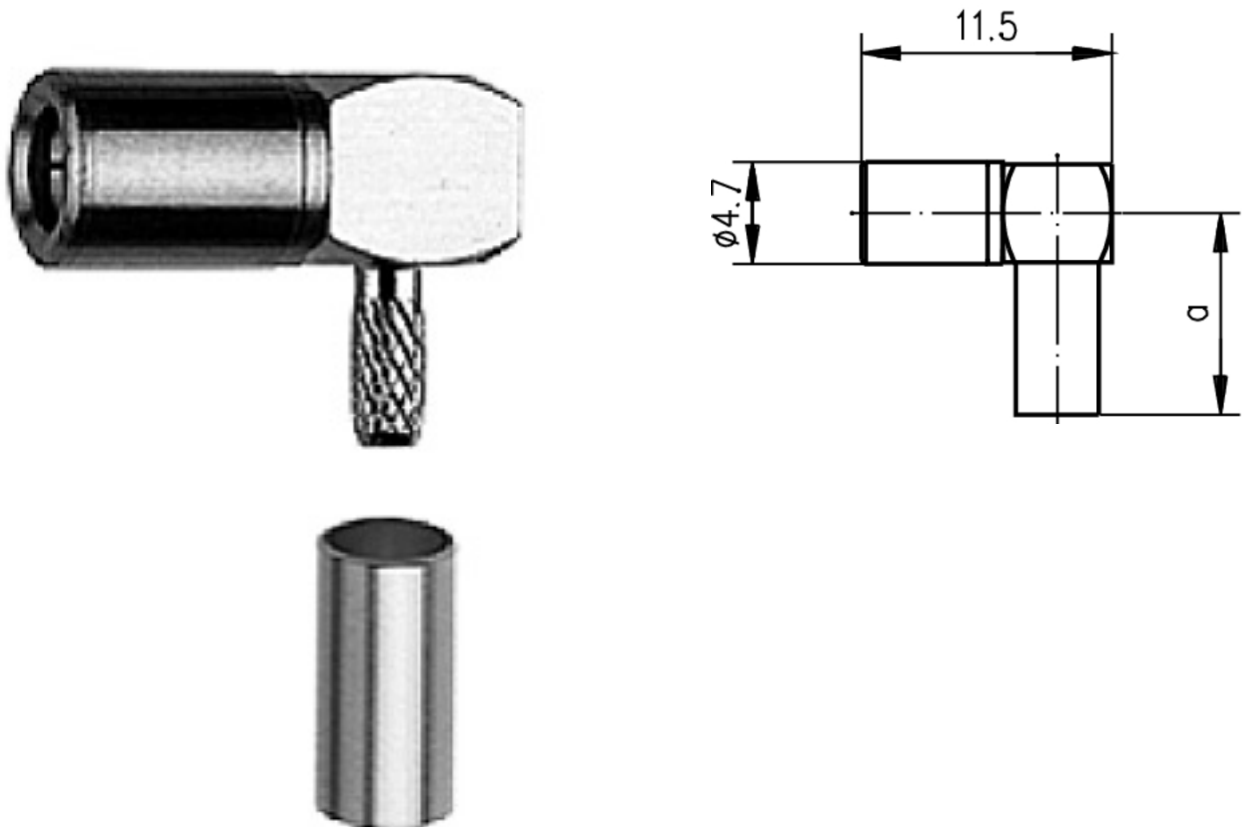


order number: J01191A0041

SSMB Angle Jack Crimp G3 (RG-178B/U)



Technical Attributes	
Cable group; cable	G3 (RG-178B/U) RG-196A/U RG-178B/U KX 21A
Finish	Gold
Dimensions	a=9.3
Assembly	C2513
Crimp die	N01003A0010
Series	
Mount. dim.	

Product description

The SSMB series of connectors utilizes a snap coupling and is suitable for applications up to a frequency of 3 GHz. The impedance is controlled at 50 Ω . Connector designs are available for flexible cables like RG-316 and RG-178. Styles are available for mounting to printed circuit boards using thru-hole soldered assembly. Solder and crimp techniques are used to terminate this series to the cables. Because of their small size, SSMB connectors have applications in small instruments and communication equipment.

Mechanical Characteristics	
Durability (mating cycles): standard type	≥ 100
Durability (mating cycles): MIL type	≥ 500
Insertion force	max. 27 N
Disengagement	min. 4.5 N
Material: spring contacts	CuBe2
Material: solid contact parts	CuZn39Pb3
Material: crimp ferrule	Cu
Material: serrated lock washer	CuSn6
Material: insulators	PTFE
Finish: Inner conductor	Cu1Ni2Au1.27
Finish outer conductor: Gold (standard; last digit ...1)	Cu1Ni2Au0.8
Finish outer conductor: MIL gold (last digit ...2)	Cu1Ni2Au1.27
Finish outer conductor: Type for printed circuits (last digit ...7)	SnPb8
Finish outer conductor: Telealloy (white bronze) (last digit ...8)	CuSnZn3
Finish outer conductor: Nickel (last digit ...9)	Cu2Ni5
Finish other metal parts: Gold (standard; last digit ...1)	Cu2Ni5Au0.2
Finish other metal parts: MIL gold (last digit ...2)	Cu1Ni2Au0.8
Finish other metal parts: Nickel (last digit ...9)	Cu2Ni5

Climatic Characteristics	
Climatic category acc. to IEC 60068 - 1	55/155/21

Electrical Characteristics	
Contact resistance inner conductor	$\leq 5 \text{ m}\Omega$
Contact resistance outer conductor	$\leq 2.5 \text{ m}\Omega$
Insulation resistance	$\geq 1 \text{ G}\Omega$
Voltage proof	500 V _{eff} /50 Hz
Working voltage	$\leq 250 \text{ V}_{\text{eff}}/50 \text{ Hz}$
Impedance	50 Ω
Return loss: Straight style	$\geq 20.0 \text{ dB} / 1 \text{ GHz}$
Return loss: Angle style	$\geq 14.0 \text{ dB} / 1 \text{ GHz}$
Frequency range up to	3 GHz

Standards	
IEC 60 169-19	