

Applications

- TD-LTE Smartphones, Tablets and Handsets
- Datacards

Product Features

- Single Device for FDD-LTE and TD-LTE Bands
- Module Contains Band 40 and Band 41N Filters
 - B41N Meets China Market Requirements
- LTE Bands and Output Power
 - 7 (2500 – 2570 MHz) +27.5 dBm
 - 30 (2305 – 2315 Mhz) +27.5 dBm
 - 38 (2570 – 2620 MHz) +27.5 dBm
 - 40 (2300 – 2400 MHz) +25.0 dBm
 - 41N (2555 – 2655 MHz) +25.0 dBm
- High Efficiency
- 4.0 x 3.0 mm, 24-pin Module

General Description

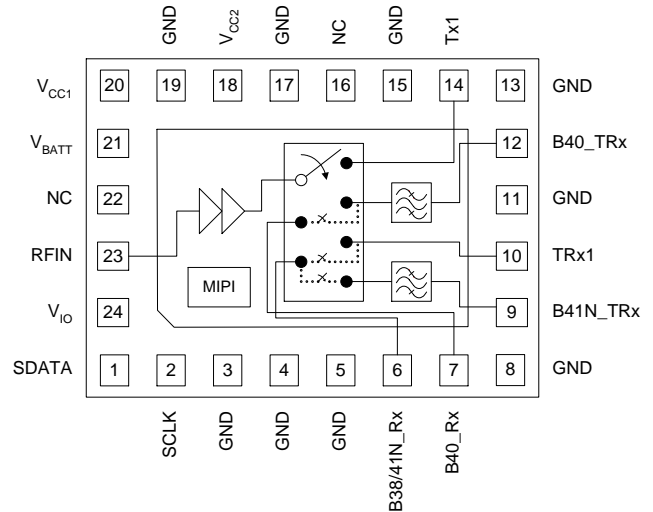
The TQF6297 front-end power amplifier module merges TriQuint’s HBT power amplifier, CuFlip®, and BAW filter technologies into one product. The technology merger increases module circuit integration which yields an ultra-compact package. The small size and integration allows phone board designer to take one step closer to a small RF solution.

The UHB LTE module’s primary bands are Band 40 and Band 41N, while Band 7, Band 30, and Band 38 are auxiliary bands. Band 40 and Band 41N filters meet tough Wifi co-exist specification requirements. Band 38/40/41N Rx function is passed through a cross-point or 3P4T switch; the benefit is reduce filters require per TD-LTE solutions.

Key Performance Specifications

Parameter	B7	B38	B40	B41N	Units
Gain HPM	29	29	26.5	26.5	dB
Output Power	+27.5	+27.5	+25.0	+25.0	dBm
Current (Pmax)	480	480	450	500	mA

Functional Block Diagram



Pin Configuration

Pin No.	Label
1	SDATA
2	SCLK
6	B38/41N_Rx
7	B40_Rx
9	B41N_TRx
10	TRx1
12	B40_TRx
14	Tx1
18	V _{CC2}
20	V _{CC1}
21	V _{BATT}
23	RFIN (B7/B30/B38/B40/B41N)
24	V _{IO}
16,22	NC
3,4,5,8,11,13,15,17,19	GND
Backside Pad	GND

Ordering Information

Part No.	Description
TQF6297	B7//30/38/40/41 Front-End Module (FEM)

Standard T/R size = 2500 pieces on a 13" reel.