

HUBER+SUHNER® DATA SHEET

30:1 Unequal Power Divider:

5502.17.0044



Rev.: D

Tapper

Description

This Tapper unevenly splits high power cellular signals in a fixed 30:1 with minimal reflections or loss over the wireless bands in the range 350 - 2,700 MHz, (there is no coupling 1550 to 1650 MHz). The innovative asymmetric design ensures an excellent input VSWR and coupling flatness across the band, Supports Tetra, Tetrapol, LMR/P25, LTE, UMTS/WCDMA, TD-SCDMA, AMPS, GSM, PCS, CDMA, WiFi / WLAN 2.4 GHz.



Product Configuration

Technical Data

Electrical Data

	Band 1	Band 2	Band 3
Frequency (GHz)	0.35 - 0.7	0.7 - 2.5	2.5 - 2.7
Return Loss (dB)	20	20	20
Tapp Loss (dB)	15.1	15.1	15.1
Tapp Loss Flatness +/- (dB)	1.25	1.25	1.25
Insertion Loss (dB)	0.1	0.1	0.1
Max. Composite Power (W)	500	500	500
Peak Envelope Power (W)	3000	3000	3000
Intermodulation distortion (dBc)	150	150	150
@ 2 x Carrier Power (dBm)	43	43	43
Port Designation	Main Line In	Main Line Out	Tap Port
Connector Type	Input	Output	15.1dB
Gender	N	N	N
Char. impedance (Ω)	jack (female)	jack (female)	jack (female)
	50		

Mechanical Data

Dimensions (mm)	40.74 x 31.75 x 102.1 (Height x Width x Length)
Weight	0.38 kg

Environmental Data

Environmental conditions	indoor/outdoor
Operation temperature (°C)	-35 to 75
Storage temperature (°C)	-35 to 75
Transport temperature (°C)	-35 to 75
IP rating	IP 67
RoHS 2002/95/EC	compliant

Material Data

Housing Material	Aluminium
Surface treatment	passivated

HUBER+SUHNER is certified according to ISO 9001 and ISO 14001

WAIVER!
It is exclusively in written agreements that we provide our customers with warrants and representations as to the technical specifications and/or the fitness for any particular purpose. The facts and figures contained herein are carefully compiled to the best of our knowledge, but they are intended for general informational purposes only.



HUBER+SUHNER AG
RF Industrial
9100 Herisau, Switzerland
Phone +41 (0)71 353 41 11
Fax +41 (0)71 353 45 90
www.hubersuhner.com

HUBER+SUHNER – Excellence in Connectivity Solutions

HUBER+SUHNER® DATA SHEET

30:1 Unequal Power Divider:

5502.17.0044



Rev.: D

Related Documents

Mounting instruction

Painting instruction

Security instruction

Outline drawing1

3D-model (Step)

DPR-00172127

DOC-0000369429

HUBER+SUHNER is certified according to ISO 9001 and ISO 14001

WAIVER!

It is exclusively in written agreements that we provide our customers with warrants and representations as to the technical specifications and/or the fitness for any particular purpose. The facts and figures contained herein are carefully compiled to the best of our knowledge, but they are intended for general informational purposes only.



HUBER+SUHNER AG

RF Industrial

9100 Herisau, Switzerland

Phone +41 (0)71 353 41 11

Fax +41 (0)71 353 45 90

www.hubersuhner.com

HUBER+SUHNER – Excellence in Connectivity Solutions

Document: DOC-0000365639 G

Issued: 08.07.11

Uncontrolled Copy

Page 2/3

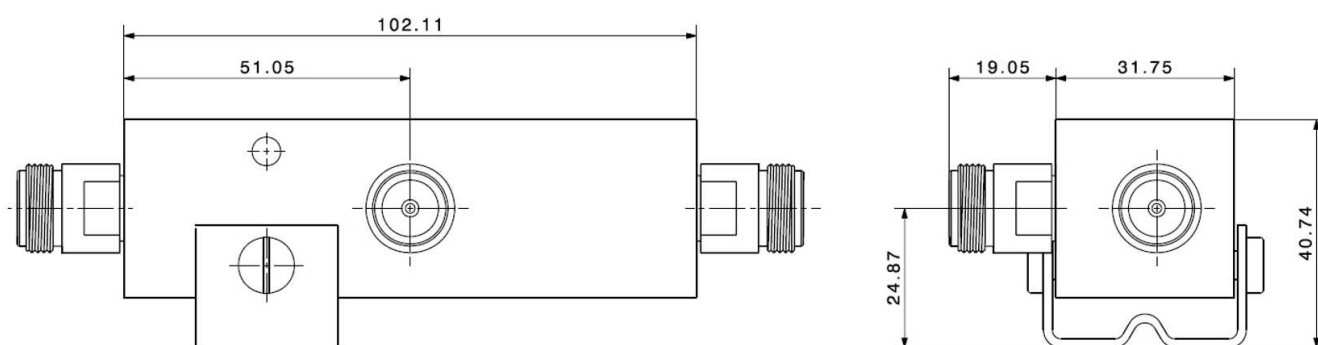
HUBER+SUHNER® DATA SHEET

30:1 Unequal Power Divider:

5502.17.0044



Rev.: D



HUBER+SUHNER is certified according to ISO 9001 and ISO 14001

WAIVER!

It is exclusively in written agreements that we provide our customers with warrants and representations as to the technical specifications and/or the fitness for any particular purpose. The facts and figures contained herein are carefully compiled to the best of our knowledge, but they are intended for general informational purposes only.



HUBER+SUHNER AG
RF Industrial
9100 Herisau, Switzerland
Phone +41 (0)71 353 41 11
Fax +41 (0)71 353 45 90
www.hubersuhner.com

HUBER+SUHNER – Excellence in Connectivity Solutions