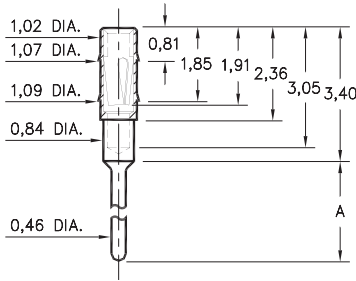




**PIN RECEPTACLES**  
 for 0,38 - 0,51 diameter pins (#11 contact)  
 and 0,38 - 0,56 diameter pins (#05 & #21 contacts)  
 (see specific contact range on page 217)



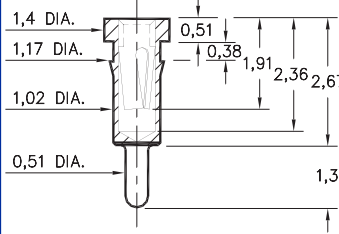
**0489**



Basic Part Number	Length A
0489-0	2,59
0489-1	5,05
0489-2	7,59

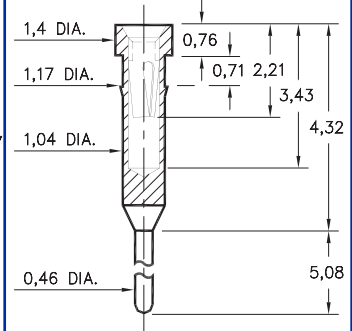
**0489-X-15-XX-11-XX-04-0**  
 Press-fit in 1,04 mounting hole.

**0463**



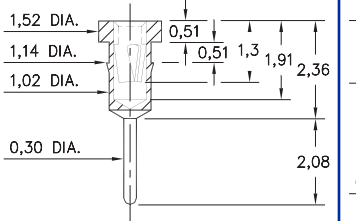
**0463-0-15-XX-21-XX-04-0**  
 Press-fit in 1,09 mounting hole.  
 shell is Phos. Br. Alloy 544 (B2)

**0466**



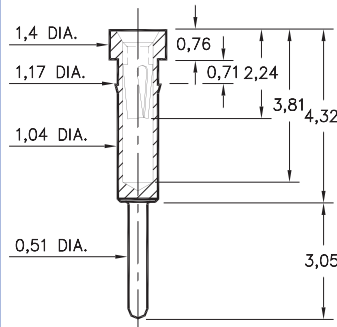
**0466-0-15-XX-21-XX-04-0**  
 Press-fit in 1,09 mounting hole.  
 shell is Phos. Br. Alloy 544 (B2)

**7491**



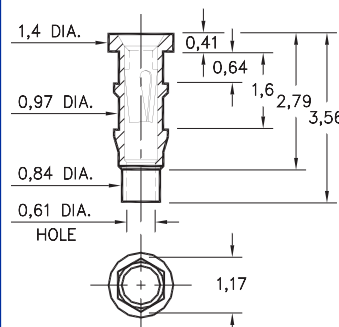
**7491-0-15-XX-X1-XX-04-0**  
 Press-fit in 1,07 mounting hole

**0462**



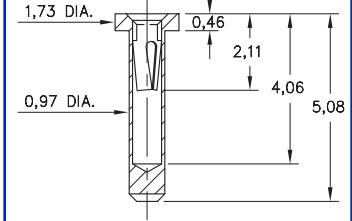
**0462-0-15-XX-X1-XX-04-0**  
 Press-fit in 1,09 mounting hole

**0560**



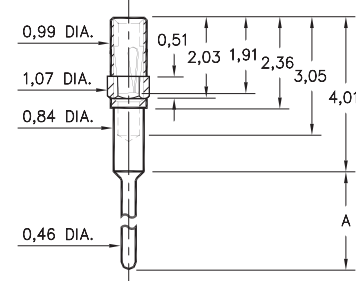
**0560-0-15-XX-11-XX-10-0**  
 Hex press-fit in 1,09 plated thru hole

**5552**



**5552-0-15-XX-05-XX-10-0**  
 Solder mount in 1,02 min. mounting hole

**4890**



Basic Part Number	Length A
4890-0	2,59
4890-1	5,05
4890-2	7,59

**4890-X-15-XX-11-XX-04-0**  
 Octagonal press-fit in 1,04 mounting hole.

**SPECIFICATIONS**

**SHELL MATERIAL:**  
 Brass Alloy 360, 1/2 Hard

**CONTACT MATERIAL:**  
 Beryllium Copper Alloy 172, HT

**DIMENSION IN INCHES TOLERANCES ON:**  
 LENGTHS: ±0,13  
 DIAMETERS: ±0,05  
 ANGLES: ± 2°

**ORDER CODE: XXXX - X - 15 - XX - XX - XX - XX - 0**

**BASIC PART #**

- SPECIFY SHELL FINISH:**
- 01 5,08µm TIN/LEAD OVER NICKEL
  - ◇ 80 5,08µmTIN OVER NICKEL (RoHS)
  - ◇ 15 0,25µm GOLD OVER NICKEL (RoHS)

- SPECIFY CONTACT FINISH:**
- 02 2,54µm TIN/LEAD OVER NICKEL
  - ◇ 84 2,54µm TIN OVER NICKEL (RoHS)
  - ◇ 27 0,76µm GOLD OVER NICKEL (RoHS)



**SELECT CONTACT**

#05, #11 or #21 CONTACT (DATA ON PAGE 217)