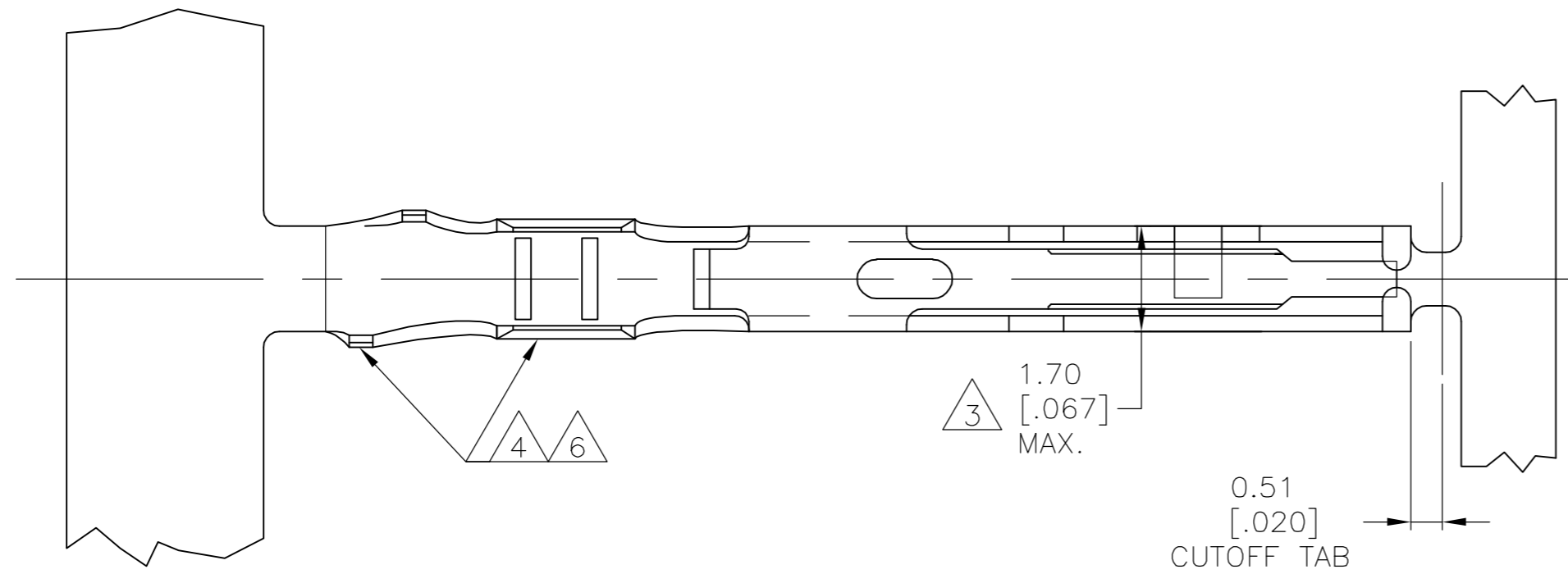
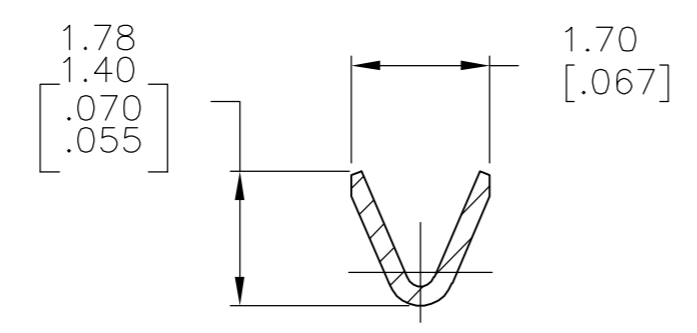
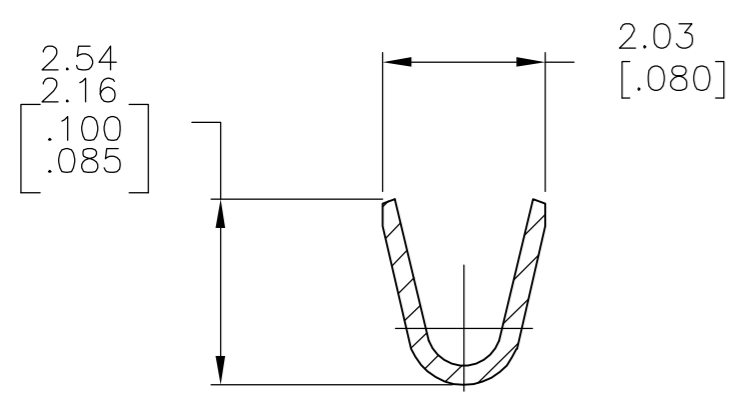
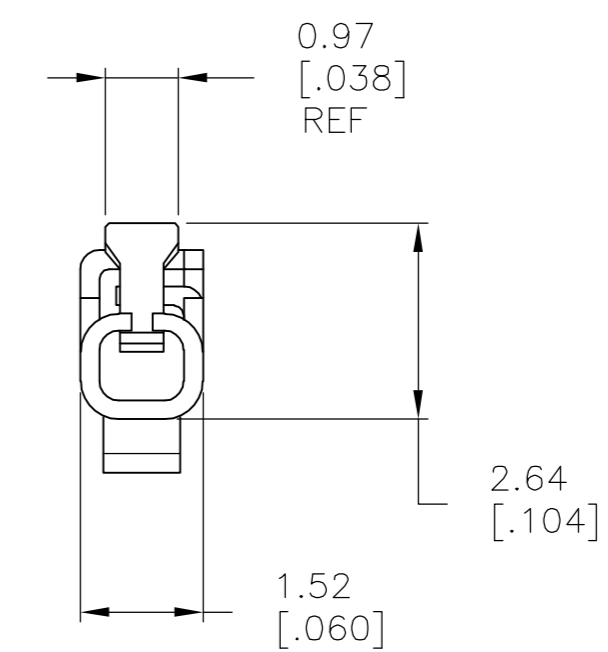
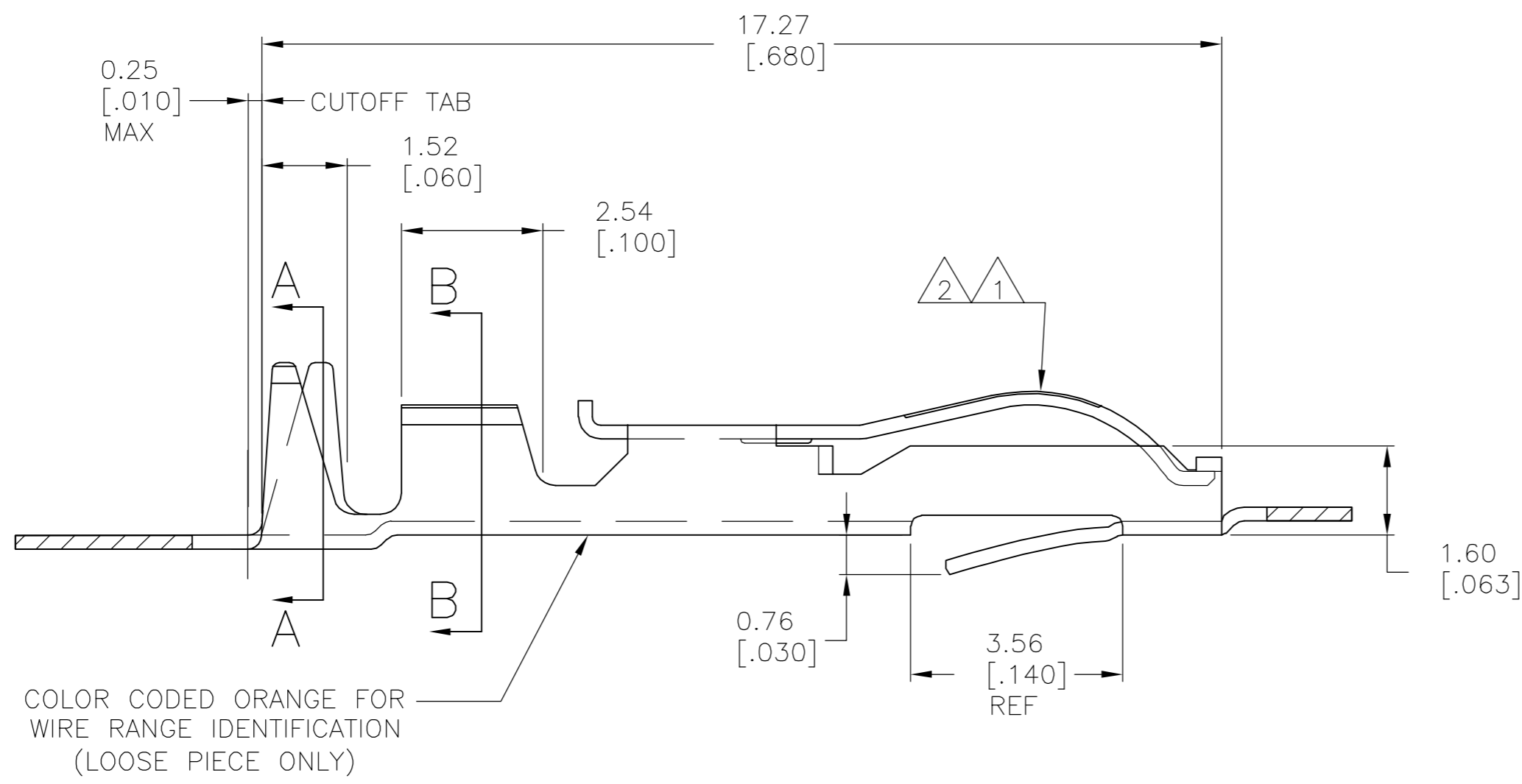


THIS DRAWING IS UNPUBLISHED. RELEASED FOR PUBLICATION
 © COPYRIGHT BY TYCO ELECTRONICS CORPORATION. ALL RIGHTS RESERVED.

LOC	DIST	REVISIONS			
P	LTR	DESCRIPTION	DATE	DWN	APVD
AD	00	L	ECO 05 003616	05APR06	BSV MM



- 1 .000030 GOLD OVER .000030 NICKEL IN CONTACT AREA.
- 2 .000015 GOLD OVER .000030 NICKEL IN CONTACT AREA.
- 3 .067 MAX ALLOWED IN LOCKING POSITION AREA FOR .140 REF LENGTH.
- 4 TIN-LEAD IN CRIMP AREA.
- 5 OBSOLETE.
- 6 MATTE TIN PLATE IN CRIMP AREA.



SECTION A-A
INSULATION RANGE
.035-.055 DIA

SECTION B-B
WIRE RANGE
#28-#24

	1 6	5-531476-5	5-531476-4
	1 4	531476-5	531476-4
OBSOLETE	2 4	5 531476-3	531476-2
FINISH		LOOSE PIECE	PART NUMBER

THIS DRAWING IS A CONTROLLED DOCUMENT.		DWN A. STAUB BG 02AUG93	Tyco Electronics Corporation Harrisburg, Pa 17105-3608	
DIMENSIONS: mm [INCHES]		CHK H ROSE 08FEB94	NAME CONTACT, NON-BIFURCATED CRIMP TWIN LEAF	
TOLERANCES UNLESS OTHERWISE SPECIFIED:		APVD H ROSE 08FEB94	PRODUCT SPEC	
0 PLC ± -		APPLICATION SPEC		
1 PLC ± -		-		
2 PLC ± -		-		
3 PLC ± -		-		
4 PLC ± -		-		
ANGLES ± -		-		
FINISH		-		
MATERIAL PHOS. BRONZE	SEE TABLE	WEIGHT -	SIZE A2	CAGE CODE 00779
CUSTOMER DRAWING		DRAWING NO C=531476		RESTRICTED TO -
SCALE 10:1		SHEET 1 OF 1		REV L

531476