

DC BLOCKS

2.9mm, 10 MHz - 40 GHz, 200 Volts

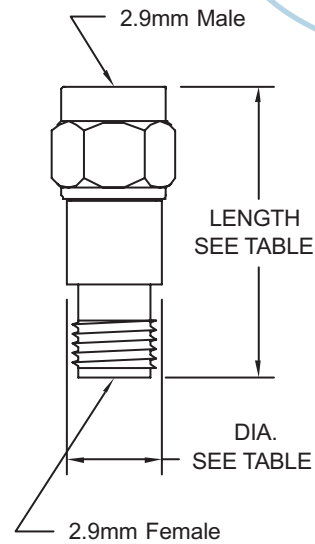
SPECIFICATIONS:

Models: 8141, 8142, 8143, 8144, 8145, 8146, 8147, 8148, 8149

Electrical:	
Frequency Range _____	10 MHz - 40 GHz
VSWR _____	1.45:1 Max.
Impedance _____	50 Ohms
Insertion Loss _____	0.5 dB Max.
Voltage Rating _____	200 Volts Max.
Operating Temp. Range _____	-65°C to +125°C
Mechanical:	
Connectors _____	Passivated Stainless Steel
<small>Mates both Mechanically and Electrically with SMA, 3.5mm and K* Series Connectors</small>	
Conductors _____	Gold Plated Beryllium Copper
Housings:	
Inner Only Blocks _____	Passivated Stainless Steel
Outer and Inner/Outer Blocks _____	High Temperature Plastic

* K is a Trademark of Anritsu Corp.

AEROFLEX
A passion for performance.



Model Shown: **8141**

TABLE					
MODEL NUMBER	BLOCK TYPE	CONN. CONFIG.	WEIGHT GRAMS MAX.	DIAMETER	LENGTH
8141	INNER ONLY	MALE/ FEMALE	5.3	Ø.28 [7.1]	.86 ±.03 [21.7 ±0.8]
8142	OUTER ONLY		5.5	Ø.50 [12.7]	
8143	INNER-OUTER				
8144	INNER ONLY	FEMALE/ FEMALE	7.2	Ø.28 [7.1]	.93 ±.03 [23.6 ±0.8]
8145	OUTER ONLY		6.2	Ø.50 [12.7]	
8146	INNER-OUTER				
8147	INNER ONLY	MALE/ MALE	7.0	Ø.36 [9.1]	.97 ±.03 [24.6 ±0.8]
8148	OUTER ONLY		6.0	Ø.50 [12.7]	
8149	INNER-OUTER				

Note: Dimensions in Brackets are Expressed in Millimeters and are for Reference Only.

8141: REV B

AEROFLEX
INMET

Aeroflex / Inmet, Inc. • 300 Dino Drive, Ann Arbor, MI 48103 • U.S.A.
888-244-6638 or 734-426-5553 • FAX: 734-426-5557
www.aeroflex-inmetcorp.com • sales@aeroflex-inmetcorp.com