



53A SERIES

14 PIN TTL SCHOTTKY SQUARE WAVE GENERATOR

FEATURES

- 14-PIN PACKAGE.
- 10 TTL FAN-OUT CAPACITY.
- TTL SCHOTTKY INTERFACED.
- OUTPUT FREQUENCY TOLERANCE: $\pm 2\%$.
- OUTPUT DUTY CYCLE: 50% $\pm 5\%$

ELECTRICAL CHARACTERISTICS

I _{IH} Logic"1" Input Current	:50uA max
I _{IL} Logic"0" Input Current	:-2mA max
V _{OH} Logic"1" Output Voltage	:2.7V min
V _{OL} Logic"0" Output Voltage	:0.5V max
V _{IH} Logic"1" Input Voltage	:2.0V min
V _{IL} Logic"0" Input Voltage	:0.8V max
TA Operating Temperature	:0 to 70
NH Fanout"1" Output	:20 TTL Load
NL Fanout"0" Output	:10 TTL Load
Supply Current	:75mA Typ.

ELECTRICAL SPECIFICATIONS

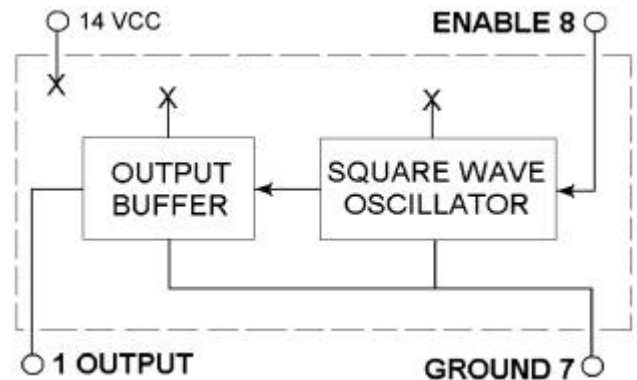
PART NO.	OUTPUT FREQUENCY	PART NO.	OUTPUT FREQUENCY
53A-002	2MHz	53A-035	35MHz
53A-003	3MHz	53A-040	40MHz
53A-004	4MHz	53A-045	45MHz
53A-005	5MHz	53A-050	50MHz
53A-010	10MHz	53A-060	60MHz
53A-015	15MHz	53A-070	70MHz
53A-020	20MHz	53A-080	80MHz
53A-025	25MHz	53A-090	90MHz
53A-030	30MHz	53A-100	100MHz



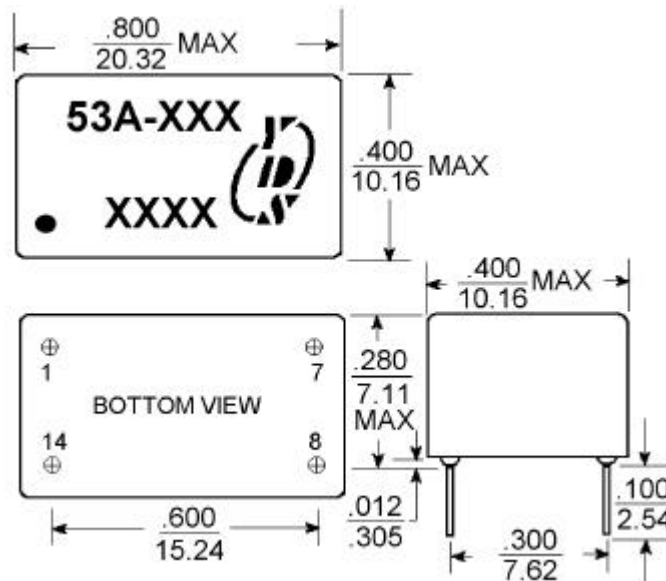
INPUT PULSE TEST CONDITION

Pulse Voltage	:3.2V
Pulse Width	:50nS min. or 100%T _d
Duty Cycle	:<50%
Pulse Rise Time	:2nS(0.75 to 2.4V)
Time Delay Measured	:@1.5V I _{ecel}
Supply Voltage V _{cc}	:5.0 \pm 0.25Vdc

PIN CONNECTIONS



MARKINGS AND DIMENSIONS



Dimensions: inches/mm
 Unless otherwise specified,
 all tolerances are $\pm 010/ \pm 0.25$