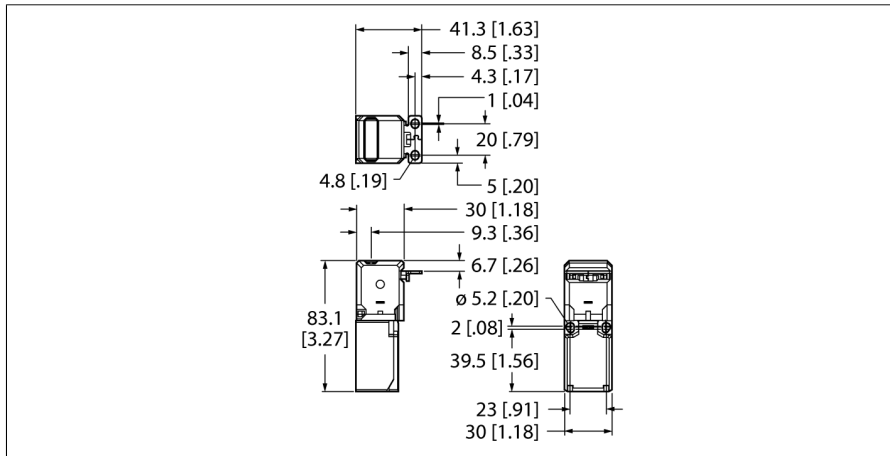


Machine Safety
Mechanical Safety Switch
SI-LS83E



- Limit switch
- Fulfills IEC 60947-5-1
- Without locking
- 2 safety outputs, NC contact
- SIL 3 (IEC 61508)
- PL e (ISO 13849-1)

Type designation	SI-LS83E
Ident no.	3049482
Function	Mechanical safety switch
Ambient temperature	-30...+80 °C
Output function	2 x NC (normally closed), Potential-free
Contact rating	3A/240V AC-15, 0.27A/250V DC-13
Rated insulation voltage	250 V
Conventional thermal current	10 A
Impulse withstand voltage	2.5 kV
Protection class	II
Design	Rectangular
Housing material	Plastic, Thermoplastic material
Switching speed	30 /min
Mechanical lifespan	1 * 10 ⁶ Switching cycles
B10d value	2 * 10 ⁶ Switching cycles
Cascadable	no
Electrical connection	Terminal chamber, Terminal box with cable gland
Number of cores	4
Protection class	IP65
PL acc. to DIN EN 13849-1:2008	e
Category acc. to DIN EN 13849-1:2008	4
SIL according IEC 61508	3
Coding level/tamper protection	Low