

MCX: Specifications & Interface Dimensions

MATERIALS:

Body, Body Components: Brass per ASTM B16 1/2 HD
 Female Contacts: Beryllium Copper per ASTM B196
 Male Contacts: Brass ASTM B16 1/2 HD
 Insulators: Teflon per ASTM D1710
 Crimp Ferrule: Annealed Copper Alloy

Finish:

Center Contact: Gold Plated per MIL-G-45204
 Other Metal Parts: Gold or Nickel Plated to Meet
 Finish and Corrosion Requirements of CECC 22 220
 Engagement Forces: 5.6 lbs. Maximum
 Disengagement Forces: 1.8 lbs. Minimum
 Durability: 500 Cycles
 Contact Captivation: 2.3 lbs. Minimum

ELECTRICAL

Impedance: 50 Ohms Nominal
 Frequency Range: 0 to 6.0 GHz
 Insulation Resistance: 1000 Megohms Minimum
 Contact Resistance: (Milliohms Maximum)
 Center Contact 5.0
 Outer Contact 1.0

ELECTRICAL CONTINUED

Voltage Withstanding Wave Ratio:

	Straight	Right Angle
RG-196 Braided	1.20+ .025F	1.20+ .03F
RG-316 Braided	1.15+ .02F	1.15+ .03F

Dielectric Withstanding Voltage (DWV) @ Sea Level:

Connectors For RG-196	750 VRMS
Connectors For RG-316	1000 VRMS

Corona Level: Volts @ 70K Ft

Connectors For RG-196	190 Minimum
Connectors For RG-316	250 Minimum

RF High Potential Withstanding Voltage:

Frequency: 5 MHz

Leakage Current: N/A

Connectors For RG-196 500 VRMS

Connectors For RG-316 670 VRMS

R.F. Leakage: -60 dB Minimum @ 2 - 3 GHz

ENVIRONMENTAL

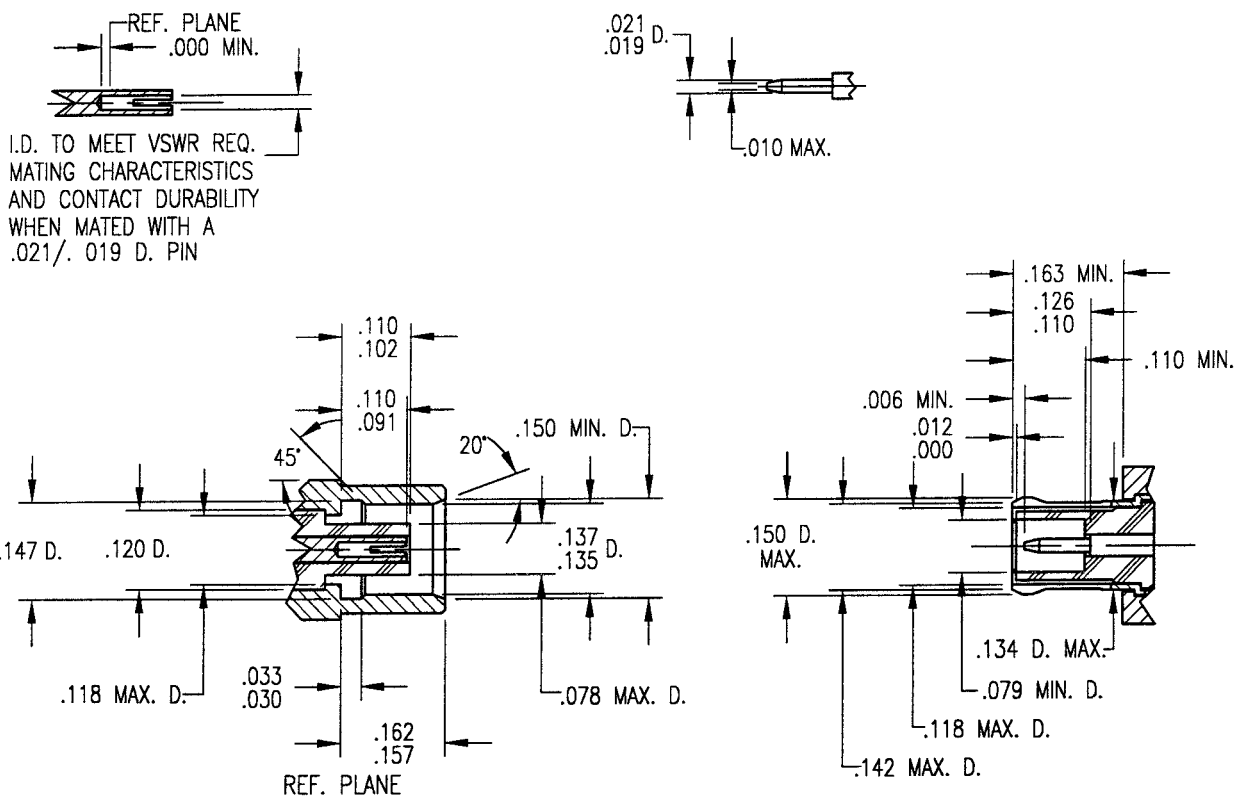
Temperature Rating: -65°C to +165°C.

Corrosion (Salt Spray): MIL-STD -202, Method 101, Condition B.

Vibration, High Frequency: MIL-STD-202, Method 204, Condition B.

Shock: MIL-STD-202, Method 102, Condition C.

INTERFACE DIMENSIONS (MEET CECC 22220)

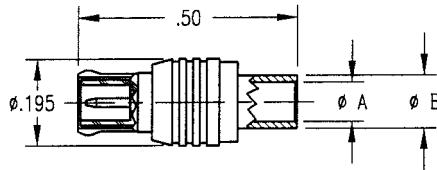


Note: Dimensions shown in inches.

Winchester/Retconn

MCX: Direct Solder, Semi-rigid Cable

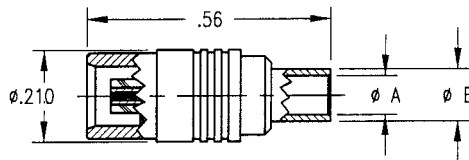
Straight Plug Captive Contact



Part Number	Cable	A	B
450-500-0470H	.047 S.R.	.052	.075
450-500-0850H	.085 S.R.	.089	.120
450-500-1410H	.141 S.R.	.144	.180

- See page 91 for cable assembly procedure: 5-11
- Part number shown is for gold plated.
- For nickel plate change suffix to "N".

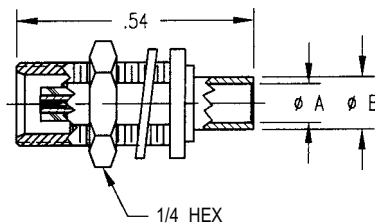
Straight Jack Captive Contact



Part Number	Cable	A	B
451-500-0470H	.047 S.R.	.052	.075
451-500-0850H	.085 S.R.	.089	.120
451-500-1410H	.141 S.R.	.144	.180

- See page 91 for cable assembly procedure: 5-11
- Part number shown is for gold plated.
- For nickel plate change suffix to "N".

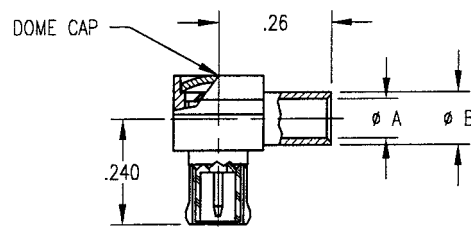
Straight Jack Bulkhead Mount Captive Contact



Part Number	Cable	A	B	Mounting Hole
451-580-0470H	.047 S.R.	.052	.075	No. 080
451-580-0850H	.085 S.R.	.089	.120	No. 080
451-580-1410H	.141 S.R.	.144	.180	No. 080

- See page 91 for cable assembly procedure: 5-11
- See page 83 for mounting hole layout.
- Part number shown is for gold plated.
- For nickel plate change suffix to "N".

Right Angle Plug

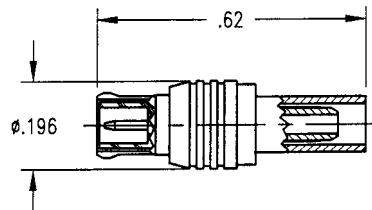


Part Number	Cable	A	B
452-500-0470H	.047 S.R.	.052	.075
452-500-0850H	.085 S.R.	.089	.120
452-500-1410H	.141 S.R.	.144	.180

- See page 92 for cable assembly procedure: 5-12
- Part number shown is for gold plated.
- For nickel plate change suffix to "N".

MCX: Crimp, Flexible Cable

Straight Plug Captive Contact



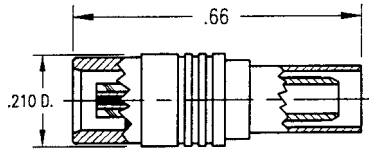
Part Number	Cable
450-900-0360H	RG-178
450-900-0630H	RG-316
450-900-0631H	RG-316 double shielded

- See page 111 for cable assembly procedure: 9-08
- Part number shown is for gold plated.
- For nickel plate change suffix to "N".

Note: Dimensions shown in inches.

MCX: Crimp, Flexible Cable

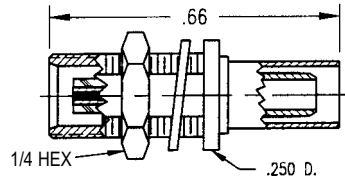
Straight Jack Captive Contact



Part Number	Cable
451-900-0360H	RG-178
451-900-0630H	RG-316
451-900-0631H	RG-316 double shielded

- See page 111 for cable assembly procedure: 9-08
- Part number shown is for gold plated.
- For nickel plate change suffix to "N".

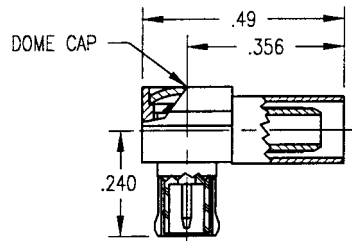
Straight Jack Bulkhead Mount Captive Contact



Part Number	Cable	Mounting Hole
451-980-0360H	RG-178	No. 080
451-980-0630H	RG-316	No. 080
451-980-0631H	RG-316 double shielded	No. 080

- See page 111 for cable assembly procedure: 9-08
- See page 83 for mounting hole layout.
- Part number shown is for gold plated.
- For nickel plate change suffix to "N".

Right Angle Plug

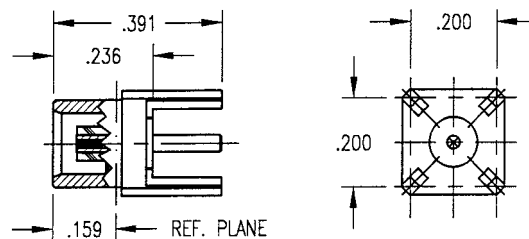


Part Number	Cable
452-900-0360H	RG-178
452-900-0630H	RG-316
452-900-0631H	RG-316 double shielded

- See page 112 for cable assembly procedure: 9-09
- Part number shown is for gold plated.
- For nickel plate change suffix to "N".

MCX: Printed Circuit Receptacles

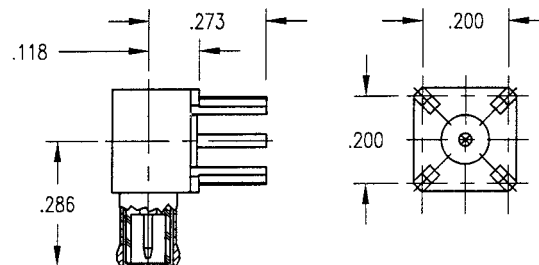
Straight Jack



Part Number	Mounting Hole
451-060-0046H	No. 060A

- See page 83 for mounting hole layout.
- Part number shown is for gold plated.

Right Angle Plug



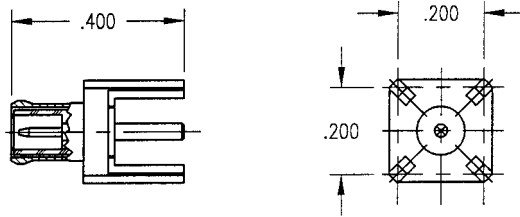
Part Number	Mounting Hole
452-060-0046H	No. 060A

- See page 83 for mounting hole layout.
- Part number shown is for gold plated.

Note: Dimensions shown in inches

MCX: Printed Circuit Receptacles

Straight Plug



Part Number	Mounting Hole
450-060-0046H	No. 060A

- See page 83 for mounting hole layout.
- Part number shown is for gold plated.

Right Angle Jack

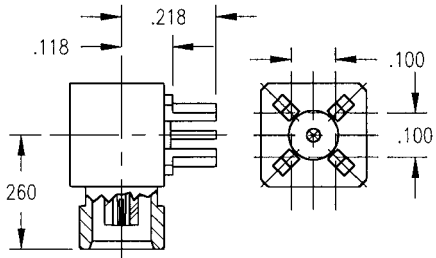


Figure 1

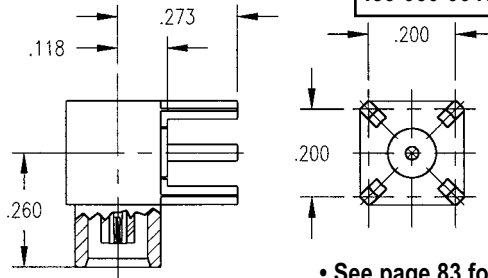


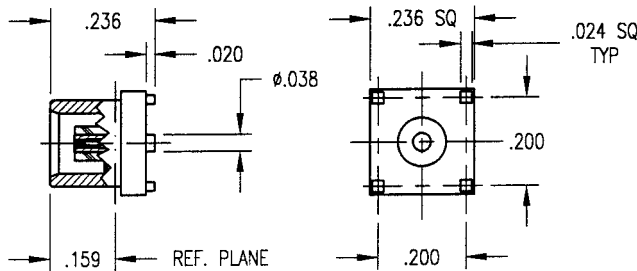
Figure 2

Part Number	Mounting Hole	Figure
453-040-0046H	No. 040A	1
453-060-0046H	No. 060A	2

- See page 83 for mounting hole layout.
- Part number shown is for gold plated.

MCX: Surface Mount Receptacle

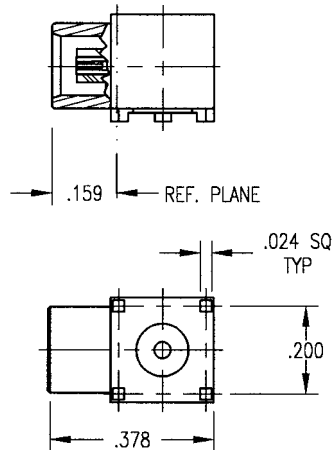
Straight Jack



Part Number
451-061-0040H

- Part number shown is for gold plated.

Right Angle Jack



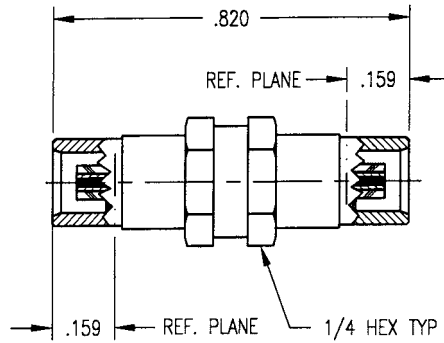
Part Number
453-060-0041H

- Part number shown is for gold plated.

Note: Dimensions shown in inches.

MCX: In - Series Adapters

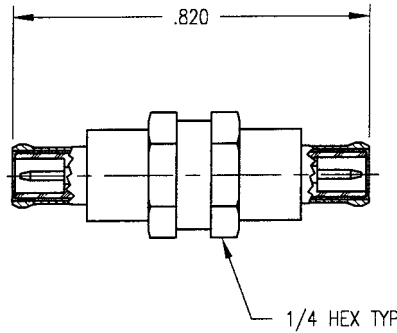
Jack - Jack



Part Number
451-451-0000H

- Part number shown is for gold plated.
- For nickel plate change suffix to "N".

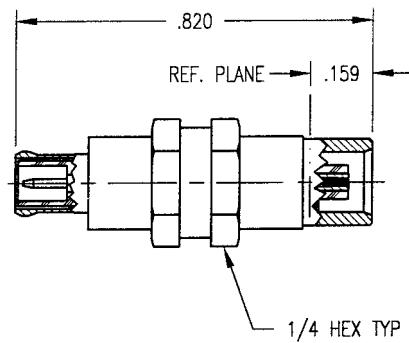
Plug - Plug



Part Number
450-450-0000H

- Part number shown is for gold plated.
- For nickel plate change suffix to "N".

Plug - Jack



Part Number
450-451-0000H

- Part number shown is for gold plated.
- For nickel plate change suffix to "N".

Note: Dimensions shown in inches.