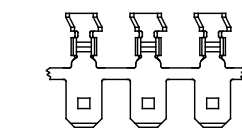
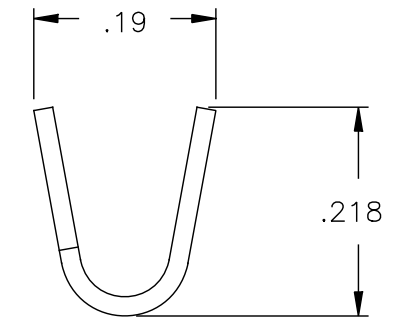
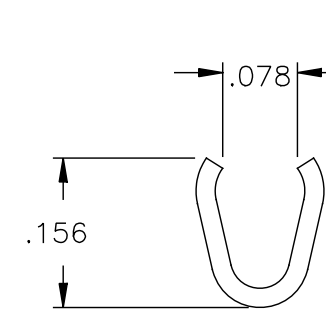
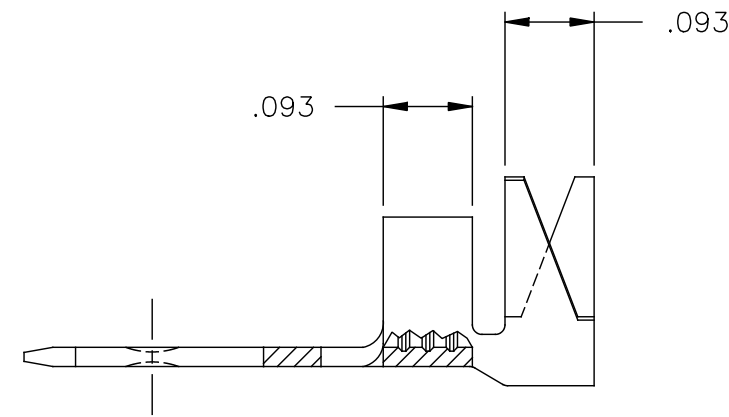
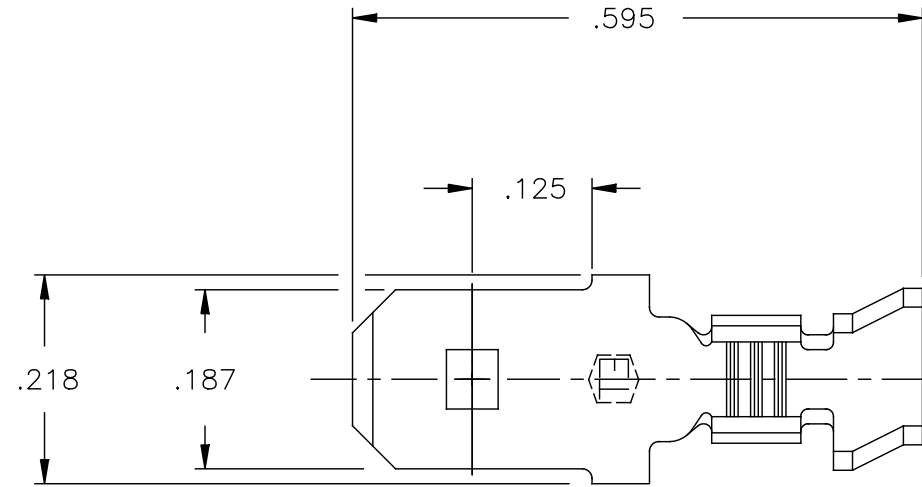


NOTE:

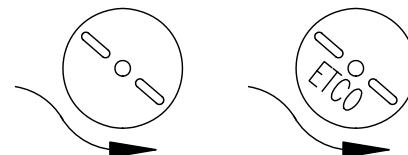
- 1.) MAT'L: .020 THK, PRE-NICKEL PLATED BRASS, #2 TEMPER (HALF HARD), PER ETCO METAL CODE NO. 03784.
- 2.) PARTS MAY BE COATED WITH A LIGHT FILM OF LUBRICATION USED IN THE MANUFACTURING PROCESS.
- 3.) WIRE RANGE: 20-16 AWG.
- 4.) INSUL RANGE: ϕ .075- ϕ .125.

Rev.	Description of Change/ SCN#	Date

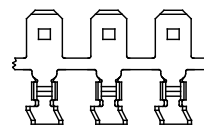
P/C	DESCRIPTION
07948	M120DT-NPHB



DIRECTION EXITING TOOL,
EARS UP, TO THE BACK



FULL VIEW
REFERENCE ONLY



DIRECTION TOWARD APPLICATOR
EARS UP, TO THE FRONT

UNCONTROLLED COPY

<p>THIRD ANGLE PROJECTION</p>	<p>TOOL NO. 0140</p>	Title: MALE DISCONNECT			
		<p>DO NOT SCALE DWG.</p>	<p>Drawn By: S.C.Johnson</p>	<p>Date: 9-14-99</p>	
<p>TOLERANCES UNLESS OTHERWISE SPECIFIED</p> <p>.XX - \pm.030 .XXX - \pm.015 Angles - \pm5°</p>		<p>ETCO Incorporated Engineered Products 25 Bellows Street Warwick, R.I. 02888 Phone: (401)467-2400 FAX: (401)467-9230</p>	<p>Checked:</p>	<p>Scale: 5:1</p>	<p>Size B</p>
<p>Dwg. No.: C- M120DT</p>					

THIS PRINT IS THE PROPERTY OF ETCO INCORPORATED. NO PART OF THIS DESIGN MAY BE USED IN ANY WAY WITHOUT WRITTEN CONSENT FROM ETCO INCORPORATED.

CUSTOMER DRAWING