



# CONNOR-WINFIELD CORPORATION

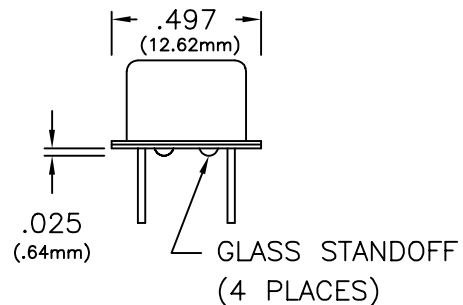
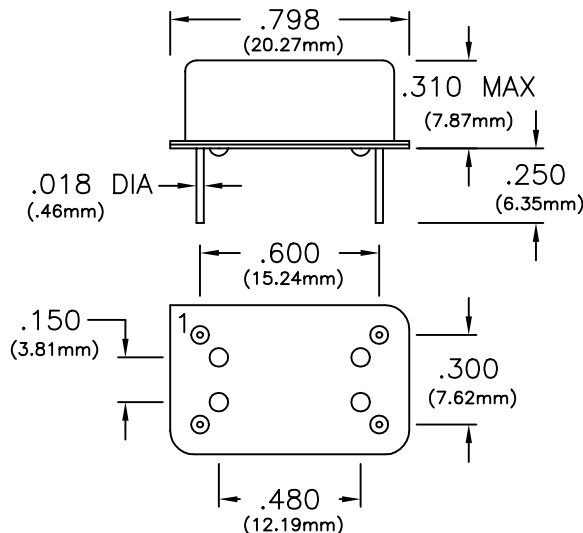
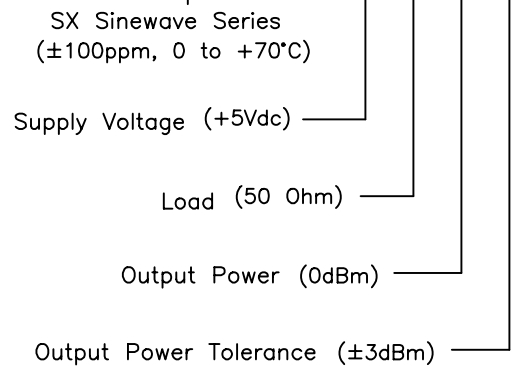
AURORA, IL. 60505  
 PHONE (630) 851-4722  
 FAX (630) 851-5040

## HIGH FREQUENCY 14 PIN DIP SINEWAVE

SPECIFICATIONS	SX52-****	SX53-****	SX54-****
Frequency Range	6MHz to 400MHz	6MHz to 400MHz	6MHz to 200MHz
Frequency Stability	±50ppm	±100ppm	±20ppm
Temperature Range	0°C to +70°C		
Supply Voltage	1	+5Vdc ±5%	
* - add suffix to model number	2	+12Vdc ±5%	
	3	+15Vdc ±5%	
Load	0	10K Ohm	
* - add suffix to model number	5	50 Ohm	
	0	0dBm	
Output Power	1	3Vrms	
	2	1.5dBm	
	3	3dBm	
	4	-5dBm	
	5	7dBm	
	6	10dBm	
* - add suffix to model number	1	±1dBm	
	2	±2dBm	
	3	±3dBm	
	4	±10%	
Output Power Tolerance	±5% Maximum , ±2% Typical (-25dBm Maximum , -35dBm Typical)		
Supply Current	50mA Maximum , 25mA Typical		
Start Up Time	10mS Maximum		
Package	All metal, hermetically sealed, welded package		

EXAMPLE MODEL NUMBER:

S X 5 3 - 1 5 0 3



PIN	CONNECTION
1	GROUND (CASE)
7	GROUND (CASE)
8	OUTPUT
14	Vcc

Dimensional Tolerance ±.005

Specifications subject to change without notice