

## Thermal Management Solutions for

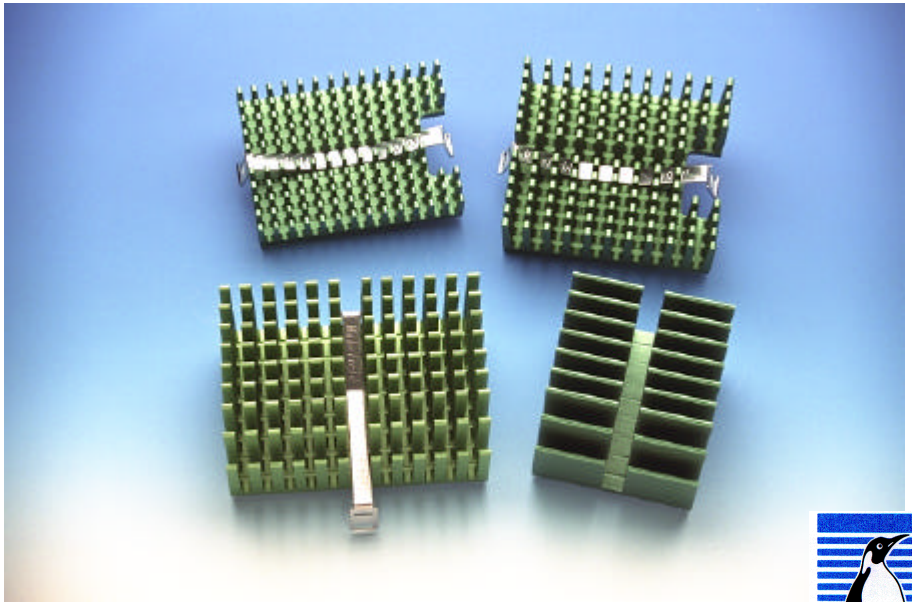
**Intel:**  
**Pentium,**  
**Pentium MMX**

**AMD:**  
**K6 and K6-2**

**CYRIX:**  
**6x86, Media GX**

**Centaur/IDT:**  
**WinChip C6**

Wakefield Engineering's Series 569, 579, 589, and 599 passive heat sinks provide optimal performance for a wide array of commonly used microprocessors.



## Features and Benefits:

- ◆ Compact design heat sinks can comfortably fit a variety of Robust Socket 7 – based PC boxes.
- ◆ Robust Clips Attachments
- ◆ Meets the thermal challenges posed by Socket 7 processors
- ◆ Cost effective heat sinks

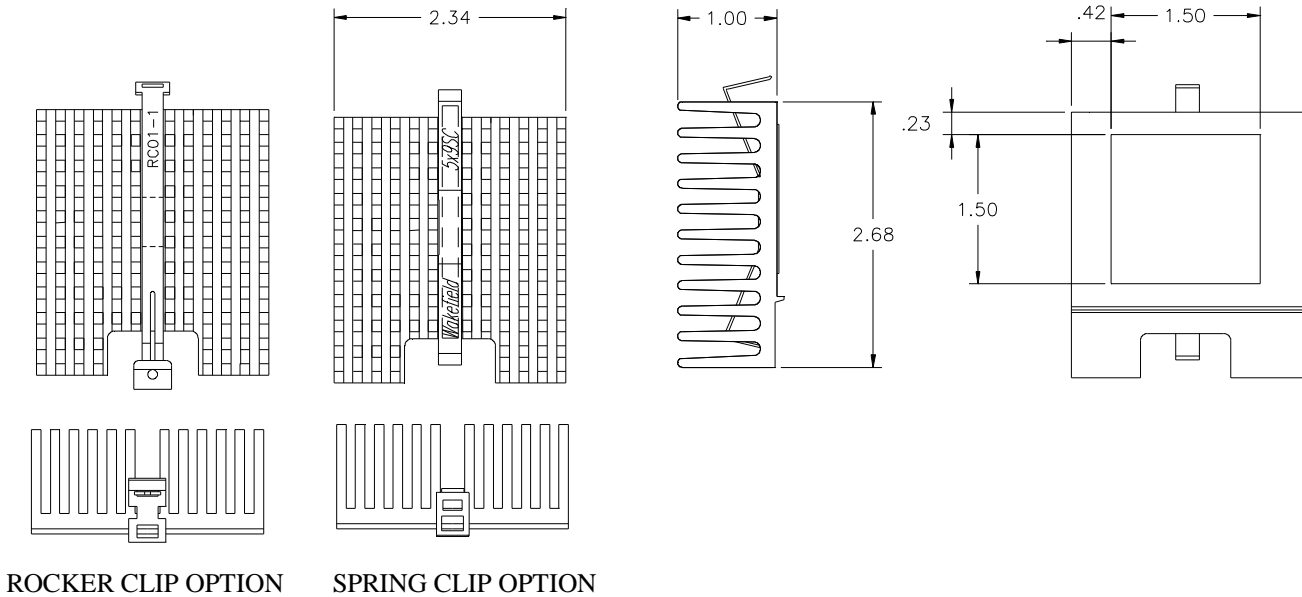


Wakefield Engineering, Inc • 100 Cummings Ctr • Suite 157H • Beverly, MA 01915 • Phone: (781) 406-3000 • Fax: (781) 406-3002  
Web Site: [www.wakefield.com](http://www.wakefield.com) • Email: [info@wakefield.com](mailto:info@wakefield.com)

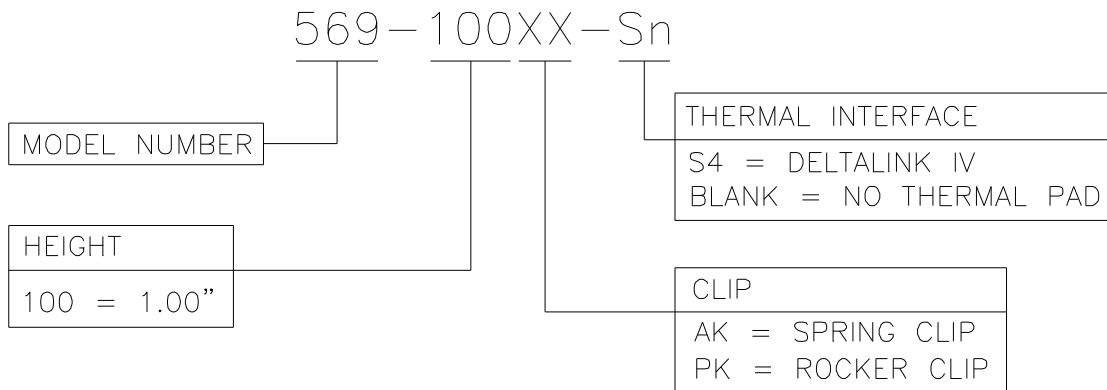
## Thermal Performance Data

<b>WEI Heat Sinks</b>	<b>Thermal Performance (at an approach velocity of 200LFM)</b>
Series 569	1.7° C/W

## Mechanical Dimensions



## Product Designator

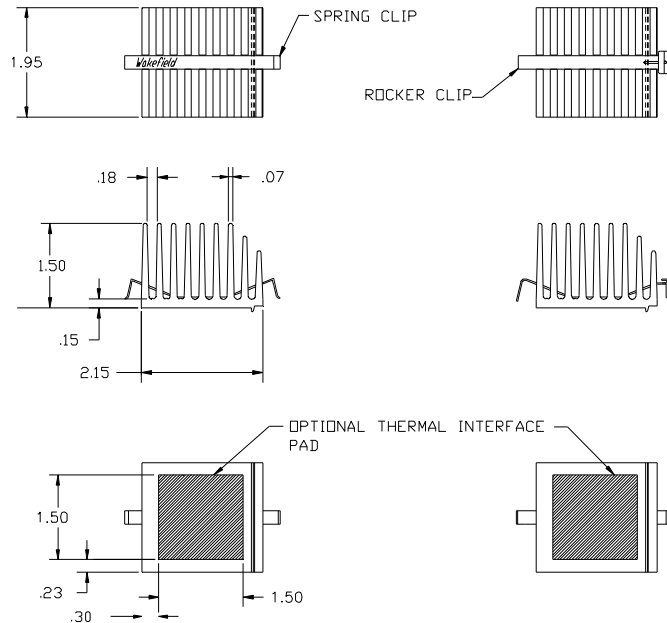


Wakefield Engineering, Inc • 100 Cummings Ctr • Suite 157H • Beverly, MA 01915 • Phone: (781) 406-3000 • Fax: (781) 406-3002  
Web Site: [www.wakefield.com](http://www.wakefield.com) • Email: [info@wakefield.com](mailto:info@wakefield.com)

## Thermal Performance Data

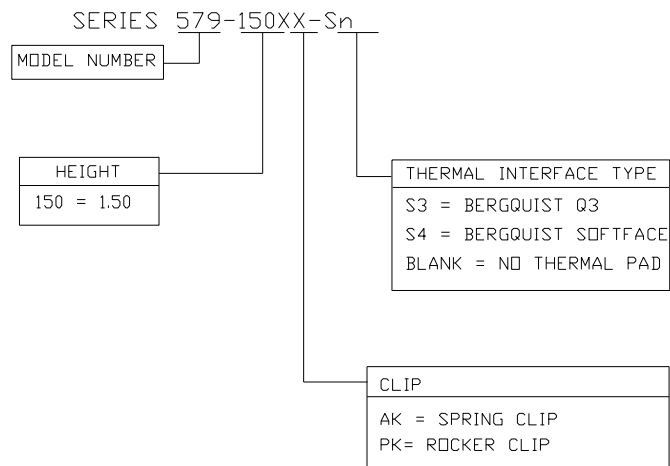
<b>WEI Heat Sinks</b>	<b>Thermal Performance (at an approach velocity of 200LFM)</b>
Series 579	1.6° C/W

## Mechanical Dimensions



## Product Designator

### PRODUCT DESIGNATION

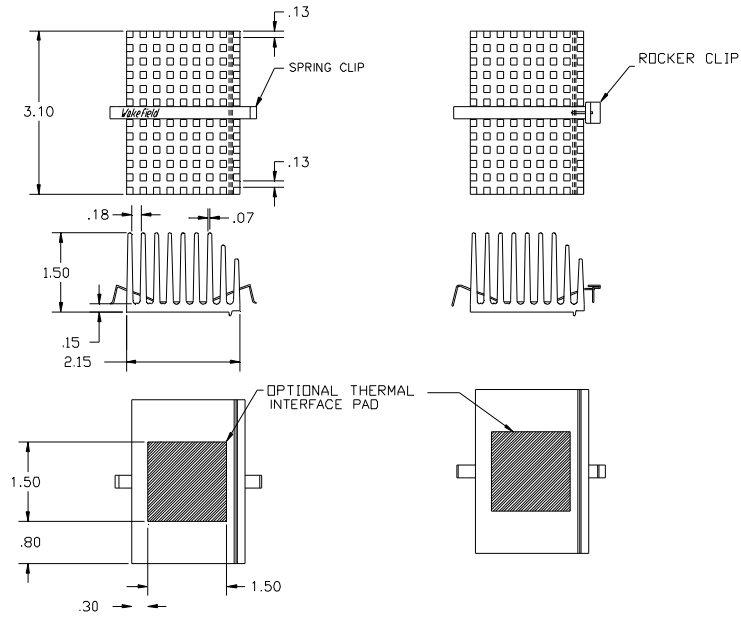


Wakefield Engineering, Inc • 100 Cummings Ctr • Suite 157H • Beverly, MA 01915 • Phone: (781) 406-3000 • Fax: (781) 406-3002  
 Web Site: [www.wakefield.com](http://www.wakefield.com) • Email: [info@wakefield.com](mailto:info@wakefield.com)

## Thermal Performance Data

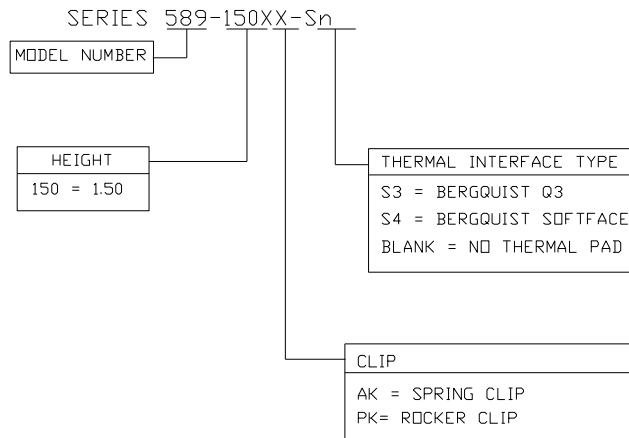
<b>WEI Heat Sinks</b>	<b>Thermal Performance (at an approach velocity of 200LFM)</b>
Series 589	1.5° C/W

## Mechanical Dimensions



## Product Designator

### PRODUCT DESIGNATION

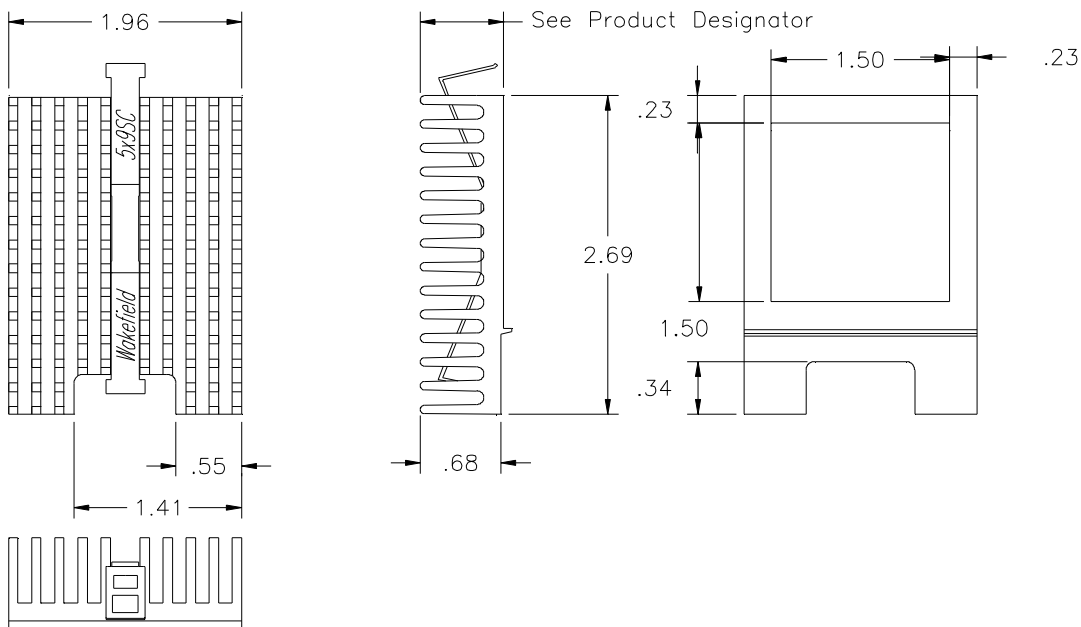


Wakefield Engineering, Inc • 100 Cummings Ctr • Suite 157H • Beverly, MA 01915 • Phone: (781) 406-3000 • Fax: (781) 406-3002  
 Web Site: [www.wakefield.com](http://www.wakefield.com) • Email: [info@wakefield.com](mailto:info@wakefield.com)

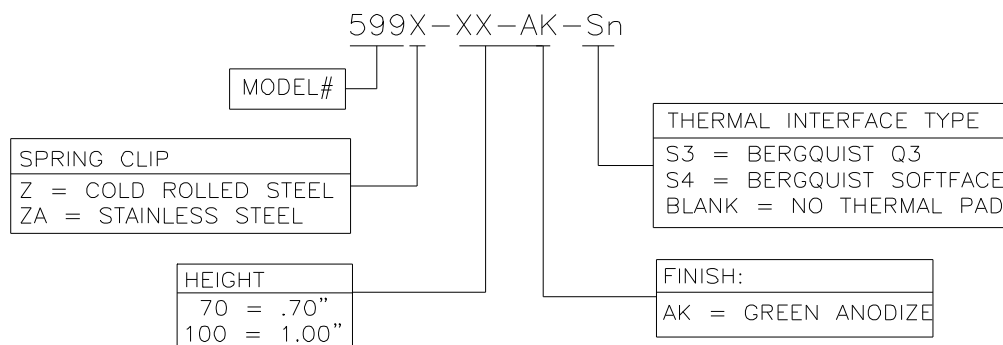
## Thermal Performance Data

<b>WEI Heat Sinks</b>	<b>Thermal Performance (at an approach velocity of 200LFM)</b>
Series 599	1.9° C/W

## Mechanical Dimensions



## Product Designator



Wakefield Engineering, Inc • 100 Cummings Ctr • Suite 157H • Beverly, MA 01915 • Phone: (781) 406-3000 • Fax: (781) 406-3002  
 Web Site: [www.wakefield.com](http://www.wakefield.com) • Email: [info@wakefield.com](mailto:info@wakefield.com)