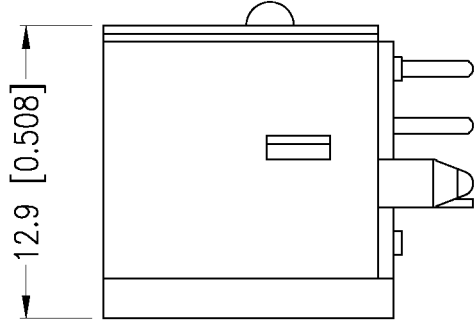
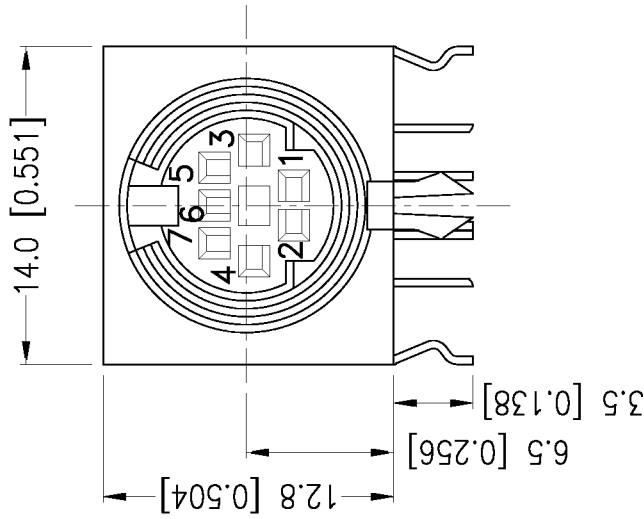
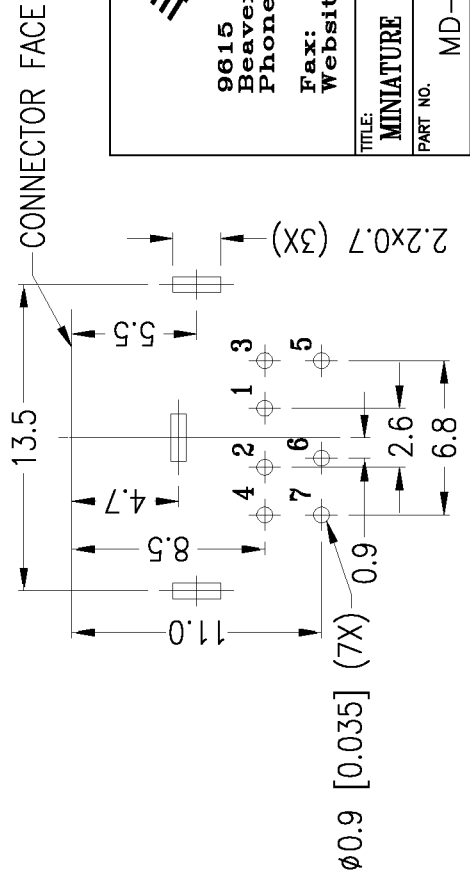


SNAP IN FIT (KINKED PINS)



- SPECIFICATIONS:**
 RATING: 100V AC 1A MAX OR
 12V DC 2A MAX
 INSULATION RESISTANCE:
 50 MOHM MIN AT 250V DC
 DIELECTRIC STRENGTH:
 250V AC, 1 MINUTE
 CONTACT RESISTANCE:
 30 mOHM MAX
 INSERTION FORCE:
 4.5KG MAX
 WITHDRAWAL FORCE:
 0.9KG~3KG

FOOTPRINT (BOTTOM VIEW)



9615 SW Allen, Suite 103
 Beaverton, OR 97006
 Phone: (503) 643-4899
 Fax: (503) 643-6129
 Website: www.cuistack.com

| | |
|---|--------------------|
| TITLE: MINIATURE CIRCULAR CONNECTOR WITH SHIELD | |
| PART NO. MD-70SKS | UNITS: MM [INCHES] |
| DRAWN BY: | APPROVED BY: |
| | SCALE: 3X |