

**pASIC 2
HIGHLIGHTS**

*... 5,000
usable ASIC gates,
156 I/O pins*

**QL2005
Block Diagram**

**320
Logic
Cells**



☒ Ultimate Verilog/VHDL Silicon Solution

- Abundant, high-speed interconnect eliminates manual routing
- Flexible logic cell provides high efficiency *and* performance
- Design tools produce fast, efficient Verilog/VHDL synthesis

☒ Speed, Density, Low Cost and Flexibility in One Device

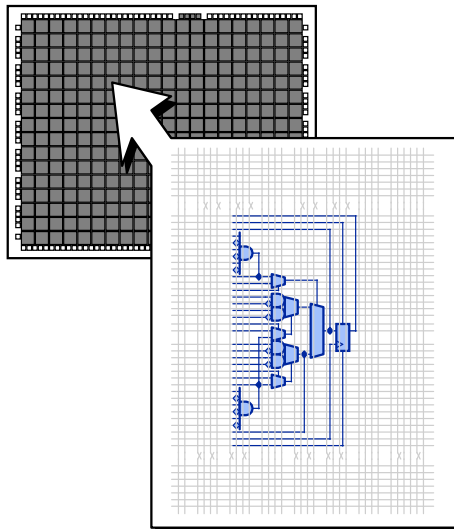
- 16-bit counter speeds exceeding 200 MHz
- 5,000 usable gates, 8,000 usable PLD gates, 156 I/Os
- 3-layer metal ViaLink[®] process for small die sizes
- 100% routable and pin-out maintainable

☒ Advanced Logic Cell and I/O Capabilities

- Complex functions (up to 16 inputs) in a single logic cell
- High synthesis gate utilization from logic cell fragments
- Full IEEE Standard JTAG boundary scan capability
- Individually-controlled input/feedback registers and OEs on all I/O pins

☒ Other Important Family Features

- 3.3V and 5.0V operation with low standby power
- I/O pin-compatibility between different devices in the same packages
- PCI compliant (at 5.0V), full speed 33 MHz implementations
- High design security provided by security fuses



**PRODUCT SUMMARY**

The QL2005 is a 5,000 usable ASIC gate, 8,000 usable PLD gate member of the pASIC 2 family of FPGAs. pASIC 2 FPGAs employ a unique combination of architecture, technology, and software tools to provide high speed, high usable density, low price, and flexibility in the same devices. The flexibility and speed make pASIC 2 devices an efficient and high performance silicon solution for designs described using HDLs such as Verilog and VHDL, as well as schematics.

The QL2005 contains 320 logic cells. With 156 maximum I/Os, the QL2005 is available in 84-PLCC, 144-pin TQFP, and 208-PQFP packages.

Software support for the complete pASIC families, including the QL2005, is available through three basic packages. The turnkey QuickWorks[®] package provides the most complete FPGA software solution from design entry to logic synthesis (by Synplicity, Inc.), to place and route, to simulation. The QuickTools[™] and QuickChip[™] packages provide a solution for designers who use Cadence, Mentor, Synopsys, Viewlogic, Veribest, or other third-party tools for design entry, synthesis, or simulation.

FEATURES**☒ Total of 156 I/O Pins**

- 148 bidirectional input/output pins, PCI-compliant at 5.0V in -1/-2 speed grades
- 4 high-drive input-only pins
- 4 high-drive input/distributed network pins

☒ Four Low-Skew (less than 0.5ns) Distributed Networks

- Two array networks available to logic cell flip-flop clock, set, and reset - each driven by an input-only pin
- Two global clock/control networks available to F1 logic input, and logic cell flip-flop clock, set, reset; input and I/O register clock, reset, enable; and output enable controls - each driven by an input-only pin, or any input or I/O pin, or any logic cell output or I/O cell feedback

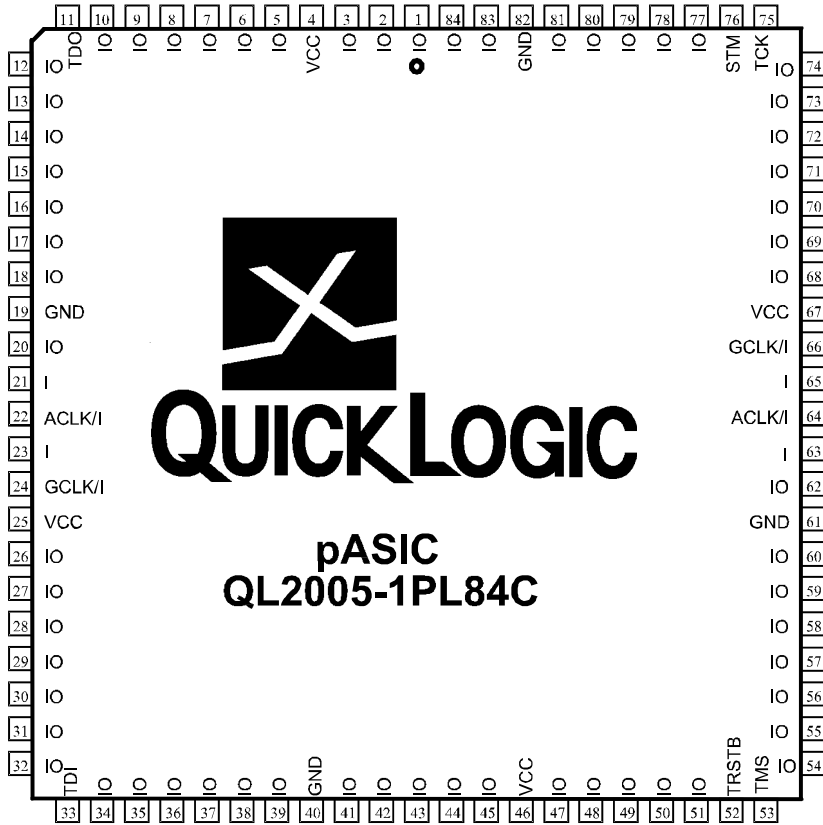
☒ High Performance

- Input + logic cell + output delays under 6 ns
- Datapath speeds exceeding 225 MHz
- Counter speeds over 200 MHz



PINOUT DIAGRAM

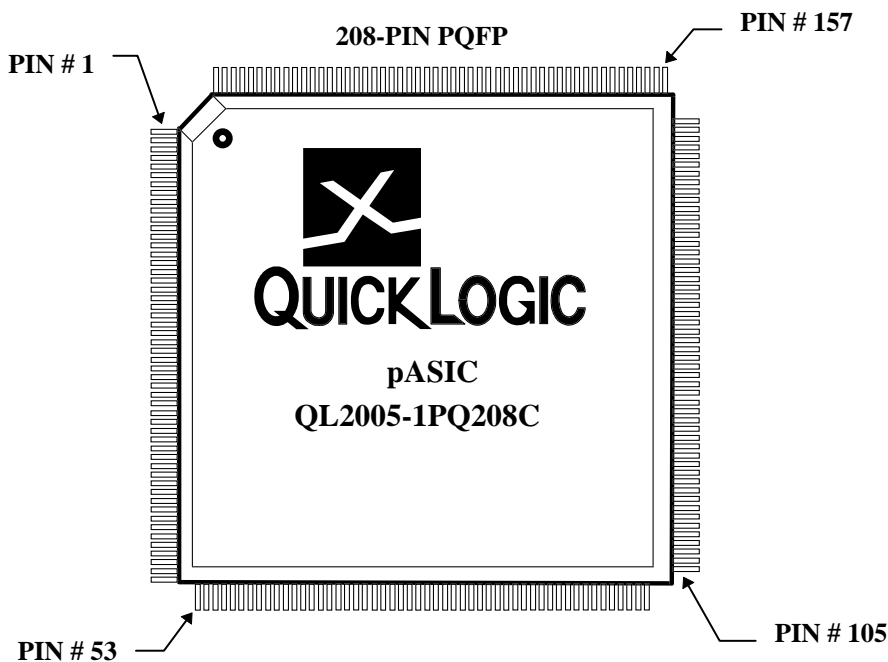
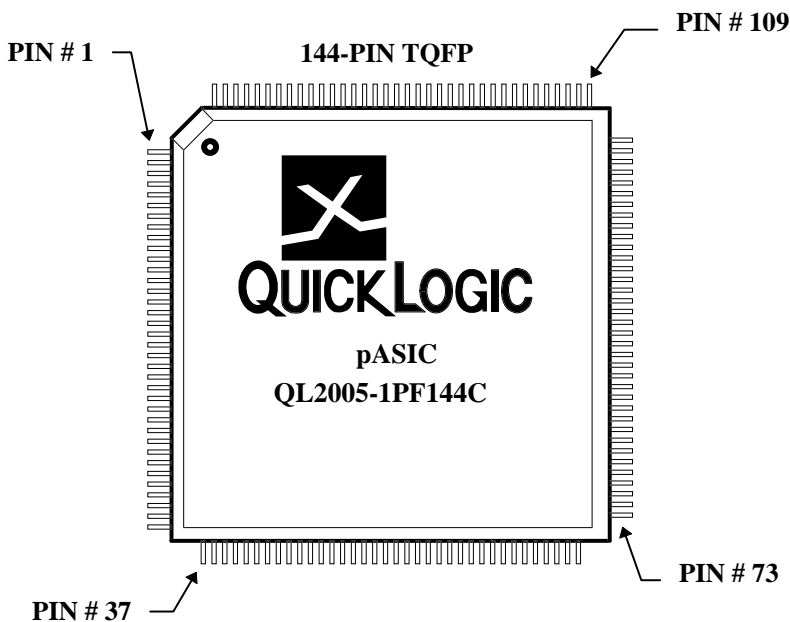
84-PIN PLCC



3
pASIC 2



PINOUT DIAGRAMS





PQFP 208 and TQFP 144 Pinout Table

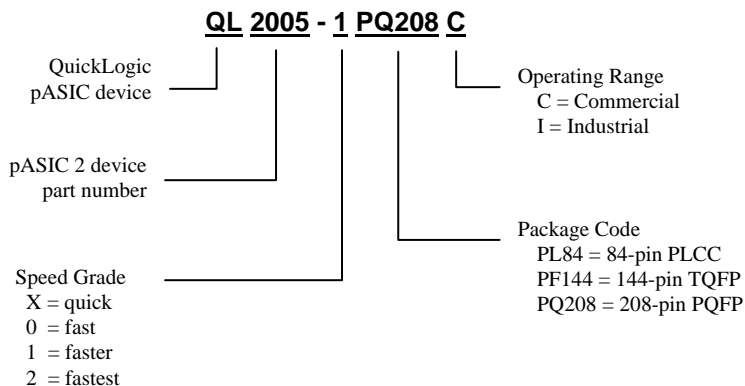
208 PQFP	144 TQFP	Function	208 PQFP	144 TQFP	Function	208 PQFP	144 TQFP	Function	208 PQFP	144 TQFP	Function	208 PQFP	144 TQFP	Function
1	144	I/O	43	30	GND	85	60	I/O	127	87	GND	169	117	I/O
2	1	I/O	44	31	I/O	86	61	I/O	128	88	I/O	170	118	I/O
3	2	I/O	45	NC	NC	87	NC	I/O	129	89	I	171	119	I/O
4	3	I/O	46	32	I/O	88	62	I/O	130	90	ACLK / I	172	120	I/O
5	NC	I/O	47	33	I/O	89	63	I/O	131	91	VCC	173	NC	NC
6	4	I/O	48	34	I/O	90	NC	I/O	132	92	I	174	NC	I/O
7	5	I/O	49	NC	I/O	91	NC	I/O	133	93	GCLK / I	175	121	I/O
8	NC	I/O	50	35	I/O	92	64	I/O	134	94	VCC	176	NC	I/O
9	6	I/O	51	36	I/O	93	NC	NC	135	95	I/O	177	122	GND
10	7	VCC	52	37	I/O	94	65	I/O	136	NC	I/O	178	123	I/O
11	NC	NC	53	NC	NC	95	66	GND	137	96	I/O	179	124	I/O
12	NC	GND	54	38	TDI	96	67	I/O	138	NC	I/O	180	NC	I/O
13	8	I/O	55	39	I/O	97	NC	VCC	139	97	I/O	181	125	I/O
14	NC	I/O	56	NC	I/O	98	NC	I/O	140	98	I/O	182	126	GND
15	9	I/O	57	40	I/O	99	68	I/O	141	NC	I/O	183	127	I/O
16	NC	NC	58	NC	NC	100	69	I/O	142	99	I/O	184	128	I/O
17	10	I/O	59	NC	GND	101	NC	I/O	143	100	I/O	185	129	I/O
18	11	I/O	60	41	I/O	102	70	I/O	144	NC	NC	186	NC	NC
19	12	I/O	61	42	VCC	103	71	TRSTB	145	NC	VCC	187	130	VCC
20	13	I/O	62	43	I/O	104	72	TMS	146	101	I/O	188	131	I/O
21	NC	NC	63	NC	I/O	105	NC	NC	147	102	GND	189	132	I/O
22	14	I/O	64	44	I/O	106	73	I/O	148	103	I/O	190	NC	I/O
23	15	GND	65	45	I/O	107	NC	I/O	149	104	I/O	191	133	I/O
24	16	I/O	66	NC	I/O	108	74	I/O	150	105	I/O	192	134	I/O
25	17	I	67	46	I/O	109	75	I/O	151	106	I/O	193	NC	I/O
26	18	ACLK / I	68	47	I/O	110	76	I/O	152	NC	I/O	194	135	I/O
27	19	VCC	69	48	I/O	111	77	I/O	153	107	I/O	195	136	I/O
28	20	I	70	NC	I/O	112	NC	NC	154	108	I/O	196	NC	I/O
29	21	GCLK / I	71	49	I/O	113	78	I/O	155	NC	NC	197	137	I/O
30	22	VCC	72	NC	I/O	114	79	VCC	156	NC	I/O	198	NC	I/O
31	23	I/O	73	50	GND	115	80	I/O	157	109	TCK	199	138	GND
32	NC	I/O	74	51	I/O	116	NC	GND	158	110	STM	200	139	I/O
33	24	I/O	75	52	I/O	117	81	I/O	159	111	I/O	201	NC	VCC
34	NC	NC	76	NC	NC	118	82	I/O	160	NC	I/O	202	140	I/O
35	25	I/O	77	53	I/O	119	NC	I/O	161	112	I/O	203	NC	I/O
36	NC	I/O	78	54	GND	120	83	I/O	162	113	I/O	204	141	I/O
37	26	I/O	79	55	I/O	121	NC	I/O	163	NC	GND	205	142	I/O
38	27	I/O	80	56	I/O	122	84	I/O	164	NC	NC	206	NC	I/O
39	28	I/O	81	NC	I/O	123	85	I/O	165	114	VCC	207	143	TDO
40	NC	I/O	82	57	I/O	124	NC	NC	166	115	I/O	208	NC	NC
41	NC	VCC	83	58	VCC	125	86	I/O	167	116	I/O			
42	29	I/O	84	59	I/O	126	NC	I/O	168	NC	I/O			



PIN DESCRIPTIONS

Pin	Function	Description
TDI	Test Data In for JTAG	Hold HIGH during normal operation. Connect to VCC if not used for JTAG.
TRSTB	Active low Reset for JTAG	Hold LOW during normal operation. Connect to ground if not used for JTAG.
TMS	Test Mode Select for JTAG	Hold HIGH during normal operation. Connect to VCC if not used for JTAG.
TCK	Test Clock for JTAG	Hold HIGH or LOW during normal operation. Connect to VCC or ground if not used for JTAG.
TDO	Test data out for JTAG	Output that must be left unconnected if not used for JTAG.
STM	Special Test Mode	Must be grounded during normal operation.
I/ACLK	High-drive input and/or array network driver	Can be configured as either or both.
I/GCLK	High-drive input and/or global network driver	Can be configured as either or both.
I	High-drive input	Use for input signals with high fanout.
I/O	Input/Output pin	Can be configured as an input and/or output.
VCC	Power supply pin	Connect to 3.3V supply.
GND	Ground pin	Connect to ground.

ORDERING INFORMATION





ABSOLUTE MAXIMUM RATINGS

Supply Voltage -0.5 to 7.0V
 Input Voltage -0.5 to VCC +0.5V
 ESD Pad Protection ±2000V
 DC Input Current ±20 mA
 Latch-up Immunity ±200 mA

Storage Temperature..... -65°C to + 150°C
 Lead Temperature 300°C

5 Volt OPERATING RANGE

Symbol	Parameter	Industrial		Commercial		Unit	
		Min	Max	Min	Max		
VCC	Supply Voltage	4.5	5.5	4.75	5.25	V	
TA	Ambient Temperature	-40	85	0	70	°C	
TC	Case Temperature					°C	
K	Delay Factor	-X Speed Grade	0.4	2.75	0.46	2.55	
		-0 Speed Grade	0.4	2.00	0.46	1.85	
		-1 Speed Grade	0.4	1.61	0.46	1.50	
		-2 Speed Grade	0.4	1.35	0.46	1.25	

3
 PASIC 2

DC CHARACTERISTICS over 5V operating range

Symbol	Parameter	Conditions	Min	Max	Unit
V _{IH}	Input HIGH Voltage		2.0		V
V _{IL}	Input LOW Voltage			0.8	V
V _{OH}	Output HIGH Voltage	IOH = -4 mA	3.7		V
		IOH = -24 mA/-16 mA [1]	2.4		V
		IOH = -10 µA	VCC-0.1		V
V _{OL}	Output LOW Voltage	IOL = 24 mA/16 mA [1]		0.45	V
		IOL = 10 µA		0.1	V
I _I	Input Leakage Current	V _I = VCC or GND	-10	10	µA
I _{OZ}	3-State Output Leakage Current	V _I = VCC or GND	-10	10	µA
C _I	Input Capacitance [2]			10	pF
I _{OS}	Output Short Circuit Current [3]	VO = GND	-15	-120	mA
		VO = VCC	40	210	mA
I _{CC}	D.C. Supply Current [4]	V _I , V _O = VCC or GND	2 (typ)	10	mA

Notes:

- [1] -24 mA IOH and 24 mA IOL apply only to -1/-2 commercial grade devices. These speed grades are also PCI-compliant. All other devices have -16 mA IOH and 16 mA IOL specifications.
- [2] Capacitance is sample tested only.
- [3] Only one output at a time. Duration should not exceed 30 seconds.
- [4] For -0/-1/-2 commercial grade devices only. Maximum I_{CC} is 20 mA for -X commercial grade devices and 15mA for all industrial grade devices. For AC conditions, contact QuickLogic Customer Engineering.



3.3 Volt OPERATING RANGE

Symbol	Parameter	Industrial		Commercial		Unit	
		Min	Max	Min	Max		
VCC	Supply Voltage	3.0	3.6	3.0	3.6	V	
TA	Ambient Temperature	-40	85	0	70	°C	
K	Delay Factor	-0 Speed Grade	0.56	2.74	0.61	2.65	
		-1 Speed Grade	0.56	2.21	0.61	2.14	
		-2 Speed Grade	0.56	1.85	0.61	1.79	

DC CHARACTERISTICS over 3.3V operating range

Symbol	Parameter	Conditions	Min	Max	Unit
VIH	Input HIGH Voltage		2.0		V
VIL	Input LOW Voltage			0.8	V
VOH	Output HIGH Voltage	IOH = -2.4 mA	2.4		V
		IOH = -10 μ A	VCC-0.1		V
VOL	Output LOW Voltage	IOL = 4 mA		0.4	V
		IOL = 10 μ A		0.1	V
IIH	Input High Current Sink (for tolerance to 5V devices)	5.5V > VI > VCC		12	mA
II	Input Leakage Current	VI = VCC or GND	-10	10	μ A
IOZ	3-State Output Leakage Current	VI = VCC or GND	-10	10	μ A
CI	Input Capacitance [5]			10	pF
IOS	Output Short Circuit Current [6]	VO = GND	-10	-70	mA
		VO = VCC	25	130	mA
ICC	D.C. Supply Current [7]	VI, VIO = VCC or GND	0.5 (typ)	3	mA

Notes:

- [5] Capacitance is sample tested only.
- [6] Only one output at a time. Duration should not exceed 30 seconds.
- [7] For commercial grade devices only. Maximum ICC is 5 mA for all industrial grade devices. For AC conditions, contact QuickLogic customer engineering.



AC CHARACTERISTICS at VCC = 5V, TA = 25°C (K = 1.00)

Propagation delays depend on routing, fanout, load capacitance, supply voltage, junction temperature, and process variation. The AC Characteristics are a design guide to provide initial timing estimates at nominal conditions. Worst case estimates are obtained when nominal propagation delays are multiplied by the appropriate Delay Factor, K, as specified in the Delay Factor table (Operating Range). The QuickChip/QuickTools/QuickWorks software incorporates data sheet AC Characteristics into the design database for precise path analysis or simulation results following place and route.

Logic Cells

Symbol	Parameter	Propagation Delays (ns) Fanout [8]				
		1	2	3	4	8
tPD	Combinatorial Delay [9]	1.4	1.7	2.0	2.3	3.5
tSU	Setup Time [9]	1.8	1.8	1.8	1.8	1.8
tH	Hold Time	0.0	0.0	0.0	0.0	0.0
tCLK	Clock to Q Delay	0.8	1.1	1.4	1.7	2.9
tCWHI	Clock High Time	2.0	2.0	2.0	2.0	2.0
tCWLO	Clock Low Time	2.0	2.0	2.0	2.0	2.0
tSET	Set Delay	1.4	1.7	2.0	2.3	3.5
tRESET	Reset Delay	1.2	1.5	1.8	2.1	3.3
tSW	Set Width	1.9	1.9	1.9	1.9	1.9
tRW	Reset Width	1.8	1.8	1.8	1.8	1.8

Input-Only Cells

Symbol	Parameter	Propagation Delays (ns) Fanout [8]						
		1	2	3	4	8	12	24
tIN	High Drive Input Delay	2.5	2.6	2.6	2.7	3.5	4.6	5.8
tINI	High Drive Input, Inverting Delay	2.6	2.7	2.7	2.8	3.6	4.7	5.9
tISU	Input Register Set-Up Time	4.8	4.8	4.8	4.8	4.8	4.8	4.8
tIH	Input Register Hold Time	0.0	0.0	0.0	0.0	0.0	0.0	0.0
tICLK	Input Register Clock To Q	0.9	1.0	1.0	1.1	1.9	3.0	4.2
tIRST	Input Register Reset Delay	0.8	0.9	0.9	1.0	1.8	2.9	4.1
tIESU	Input Register clock Enable Set-Up Time	4.1	4.1	4.1	4.1	4.1	4.1	4.1
tIEH	Input Register Clock Enable Hold Time	0.0	0.0	0.0	0.0	0.0	0.0	0.0

Notes:

- [8] Stated timing for worst case Propagation Delay over process variation at VCC=5.0V and TA=25°C. Multiply by the appropriate Delay Factor, K, for speed grade, voltage and temperature settings as specified in the Operating Range.
- [9] These limits are derived from a representative selection of the slowest paths through the pASIC 2 logic cell *including typical net delays*. Worst case delay values for specific paths should be determined from timing analysis of your particular design.



Clock Cells

Symbol	Parameter	Propagation Delays (ns) Loads per Half Column [10]						
		1	2	3	4	8	10	13
tACK	Array Clock Delay	2.2	2.2	2.3	2.4	2.5	2.6	
tGCKP	Global Clock Pin Delay	1.2	1.2	1.2	1.2	1.2	1.2	1.2
tGCKB	Global Clock Buffer Delay	1.5	1.6	1.6	1.7	1.8	1.9	2.0

I/O Cells

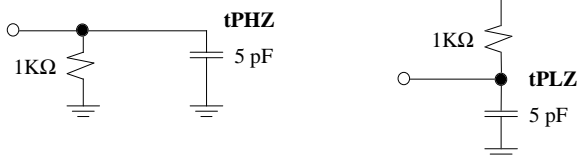
Symbol	Parameter	Propagation Delays (ns) Fanout [8]					
		1	2	3	4	8	10
tI/O	Input Delay (bidirectional pad)	1.8	2.1	2.4	2.7	3.9	4.6
tISU	Input Register Set-Up Time	4.8	4.8	4.8	4.8	4.8	4.8
tIH	Input Register Hold Time	0.0	0.0	0.0	0.0	0.0	0.0
tIOCLK	Input Register Clock To Q	0.8	1.1	1.4	1.7	2.9	3.6
tIORST	Input Register Reset Delay	0.7	1.0	1.3	1.6	2.8	3.5
tIESU	Input Register clock Enable Set-Up Time	4.1	4.1	4.1	4.1	4.1	4.1
tIEH	Input Register Clock Enable Hold Time	0.0	0.0	0.0	0.0	0.0	0.0

Symbol	Parameter	Propagation Delays (ns) Output Load Capacitance (pF)				
		30	50	75	100	150
tOUTLH	Output Delay Low to High	2.6	3.0	3.6	4.1	5.2
tOUTH	Output Delay High to Low	2.8	3.3	3.9	4.5	5.7
tPZH	Output Delay Tri-state to High	2.1	2.6	3.1	3.7	4.8
tPZL	Output Delay Tri-state to Low	2.6	3.3	4.1	4.9	6.5
tPHZ	Output Delay High to Tri-State [11]	2.9				
tPLZ	Output Delay Low to Tri-State [11]	3.3				

Notes:

[10] The array distributed networks consist of 48 half columns and the global distributed networks consist of 52 half columns, each driven by an independent buffer. The number of half columns used does not affect clock buffer delay. The array clock has up to 10 loads per half column. The global clock has up to 13 loads per half column.

[11] The following loads are used for tPXZ:



x Selector Guide

Product Selector Guide

Device	Function	System Gates	Bus Width/ Bus Speed	Package	Temp. Grade	Supply voltage
QuickPCI						
QL5030	Target	24,000	32bit/33MHz	144-TQFP	C,I	3.3V
QL5032	Master/Target	37,000	32bit/33MHz	208-PQFP	C,I	3.3V
				256-PBGA	C,I	3.3V
QL5130	Target	57,000	32bit/33MHz	144-TQFP	C,I	3.3V
				208-PQFP	C,I	3.3V
				256-PBGA	C,I	3.3V
QL5232	Master/Target	122,000	32bit/33MHz	208-PQFP	C,I,M	3.3V
				208-CQFP	I,M	3.3V
				456-PBGA	C,I,M	3.3V
QL5064-33	Master/Target	74,000	64bit/33MHz	456-PBGA	C,I,M	3.3V
QL5064-66	Master/Target	74,000	64bit/66MHz	456-PBGA	C,I,M	3.3V
QL5064-75	Master/Target	74,000	64bit/75MHz	456-PBGA	C,I	3.3V

Device	Usable Gates	Logic Cells	Package	Maximum I/Os	Temp. Grade	Supply Voltage
QuickRAM						
QL4009 9,216 RAM bits	9,000	160	68-PLCC	54	C,I	3.3V
			84-PLCC	70	C,I	3.3V
			100-TQFP	82	C,I	3.3V
QL4016 11,520 RAM bits	16,000	320	84-PLCC	70	C,I,M	3.3V
			100-TQFP	82	C,I	3.3V
			100-CQFP	82	I,M	3.3V
			144-TQFP	118	C,I	3.3V
QL4036 16,128 RAM bits	36,000	672	144-TQFP	118	C,I	3.3V
			208-PQFP	174	C,I,M	3.3V
			208-CQFP	174	I,M	3.3V
			256-PBGA	204	C,I	3.3V
QL4058 20,736 RAM bits	58,000	1,008	208-PQFP	174	C,I	3.3V
			240-PQFP	207	C,I	3.3V
			456-PBGA	316	C,I	3.3V
QL4090 25,344 RAM bits	90,000	1,584	208-PQFP	174	C,I,M	3.3V
			240-PQFP	207	C,I,M	3.3V
			456-PBGA	316	C,I,M	3.3V

Device	Usable Gates	Logic Cells	Package	Maximum I/Os	Temp. Grade	Supply Voltage
pASIC 3						
QL3004	4,000	96	68-PLCC	54	C,I	3.3V
			84-PLCC	70	C,I	3.3V
			100-TQFP	82	C,I	3.3V
QL3012	12,000	320	84-PLCC	70	C,I,M	3.3V
			100-TQFP	82	C,I	3.3V
			144-TQFP	118	C,I	3.3V
QL3025	25,000	672	144-TQFP	118	C,I	3.3V
			208-PQFP	174	C,I,M	3.3V
			256-PBGA	204	C,I	3.3V
QL3040	40,000	1,008	208-PQFP	174	C,I,M	3.3V
			456-PBGA	252	C,I	3.3V
QL3060	60,000	1,584	208-PQFP	174	C,I,M	3.3V
			456-PBGA	316	C,I	3.3V
pASIC 2						
QL2003	3 - 5,000	192	84-PLCC	70	C,I	5.0/3.3V
			100-TQFP	82	C,I	5.0/3.3V
			144-TQFP	118	C,I	5.0/3.3V
QL2005	5 - 8,000	320	84-PLCC	70	C,I	5.0/3.3V
			144-TQFP	118	C,I	5.0/3.3V
			208-PQFP	156	C,I	5.0/3.3V
QL2007	7 - 11,000	480	84-PLCC	70	C,I	5.0/3.3V
			144-TQFP	118	C,I	5.0/3.3V
			208-PQFP	174	C,I	5.0/3.3V
QL2009	9 - 16,000	672	144-TQFP	118	C,I	5.0/3.3V
			208-PQFP	174	C,I	5.0/3.3V
			256-PBGA	225	C,I	5.0/3.3V
pASIC 1						
QL8x12B	1 - 2,000	96	44-PLCC	40	C,I	5.0V
			68-PLCC	64	C,I	5.0V
			68-CPGA	64	I,M	5.0V
			100-TQFP	64	C,I	5.0V
QL12x16B	2 - 4,000	192	68-PLCC	64	C,I	5.0V
			84-PLCC	76	C,I	5.0V
			84-CPGA	76	C,I,M,883	5.0V
			100-TQFP	88	C,I	5.0V
QL16x24B	4 - 7,000	384	84-PLCC	76	C,I	5.0V
			100-TQFP	88	C,I	5.0V
			144-TQFP	122	C,I	5.0V
			144-CPGA	122	C,I,M,883	5.0V
			160-CQFP	122	C,I,M,883	5.0V
QL24x32B	8 - 14,000	768	144-TQFP	124	C,I	5.0V
			208-PQFP	180	C,I	5.0V
			208-CQFP	180	C,I,M,883	5.0V

C=Commercial Temperature Range 0 to 75°C

I=Industrial Temperature Range -40 to 85°C
M=Military Temperature Range -55 to 125°C
/883=MIL-STD-883

Send mail to <mailto:info@quicklogic.com> with questions or comments about this web site.
Copyright © 2000 QuickLogic Corporation
Last modified: June 05, 2000