

# LOW VOLTAGE SMD VOLTAGE & TEMPERATURE CONTROLLED OSCILLATOR



3.2 x 2.5 x 0.9mm

ASTX-11L, ASVTX-11L



## FEATURES:

- 3.2 x 2.5 x 0.9mm compact package
- Low current consumption
- Suitable for high-density SMT
- Vc function corresponds to PLL circuits
- IR reflow possible

## APPLICATIONS:

- Cellular and cordless phones
- Standard OSC for exact equipment
- Mobile communication equipment
- Portable radio equipment and music player.
- PLL

## STANDARD SPECIFICATIONS:

PARAMETERS	
ABRACON P/N	ASTX-11L Series or ASVTX-11L Series
Frequency Range	13.0000 MHz to 52.0000 MHz
Standard Frequencies (MHz)	13.0, 16.0, 19.2, 23.104, 26.0, 32.0, 33.6, 38.4, 52.0
Frequency Stability $\Delta f/f_0$	$\pm 2.5$ ppm (- 30 °C ~ + 75 °C)
Aging (first year at +25° C)	$\pm 1.0$ ppm
Operating Temperature	- 30° C to + 75° C
Storage Temperature	- 40° C to + 85° C
Supply Voltage (Vdd)	See options; 1.8V available in Q4 2008
Frequency Adjustment Range	$\pm 8$ ppm min./ (Vcont=Vdd/2 $\pm$ 1.0V)
Supply Current (Icc)	1.5mA Max/(~19.2MHz), 2.0mA Max/(~38.4MHz), 2.5mA Max/(~52MHz)
Output Voltage	0.8 V p-p min.
Output Load	10k $\Omega$ / 10 pF
Start-up Time	5ms max. (~16.0MHz)
	3.5ms max. (>16.0MHz)

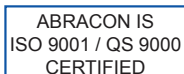
## OPTIONS & PART IDENTIFICATION:

[Left blank if standard]

ASTX-11L/ASVTX-11L -  - Frequency -

Vdd (V)		Frequency	Packaging	
A	3.0 $\pm$ 5%	XX.XXX MHz	Blank	Bulk
B	2.8 $\pm$ 5%		T	Tape and Reel
C	2.75 $\pm$ 5%			1,000pcs
D	2.4 $\pm$ 5%			

Please contact ABRACON if parts are intended for life dependent applications.



Visit [www.abracon.com](http://www.abracon.com) for Terms & Conditions of Sale **Revised: 12.21.07**  
 30332 Esperanza, Rancho Santa Margarita, California 92688  
 tel 949-546-8000 | fax 949-546-8001 | [www.abracon.com](http://www.abracon.com)

# LOW VOLTAGE SMD VOLTAGE & TEMPERATURE CONTROLLED OSCILLATOR



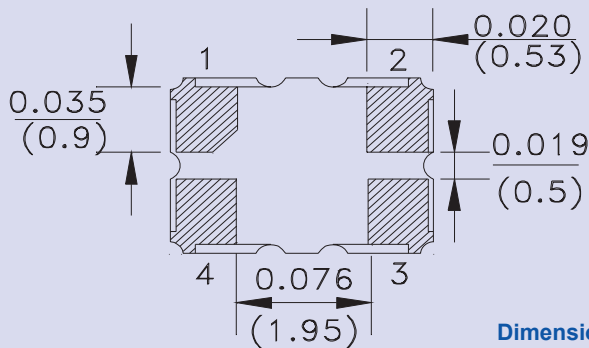
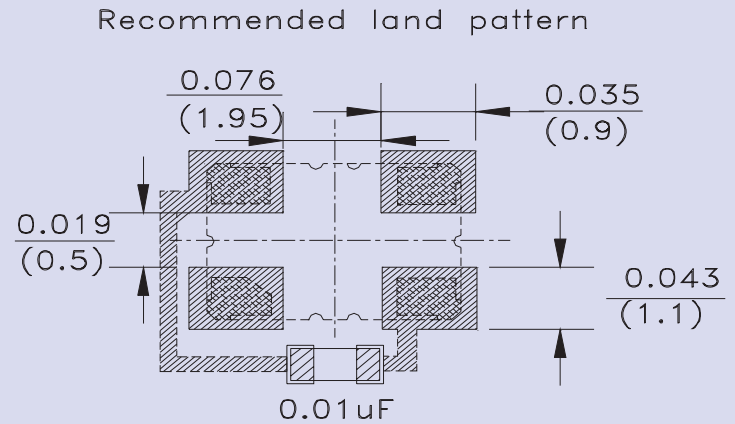
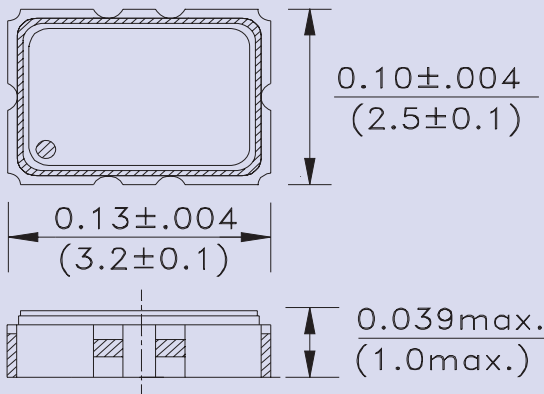
ASTX-11L  
ASVTX-11L

3.2 x 2.5 x 0.9mm



ASTX-11L, ASVTX-11L

## OUTLINE DRAWING:



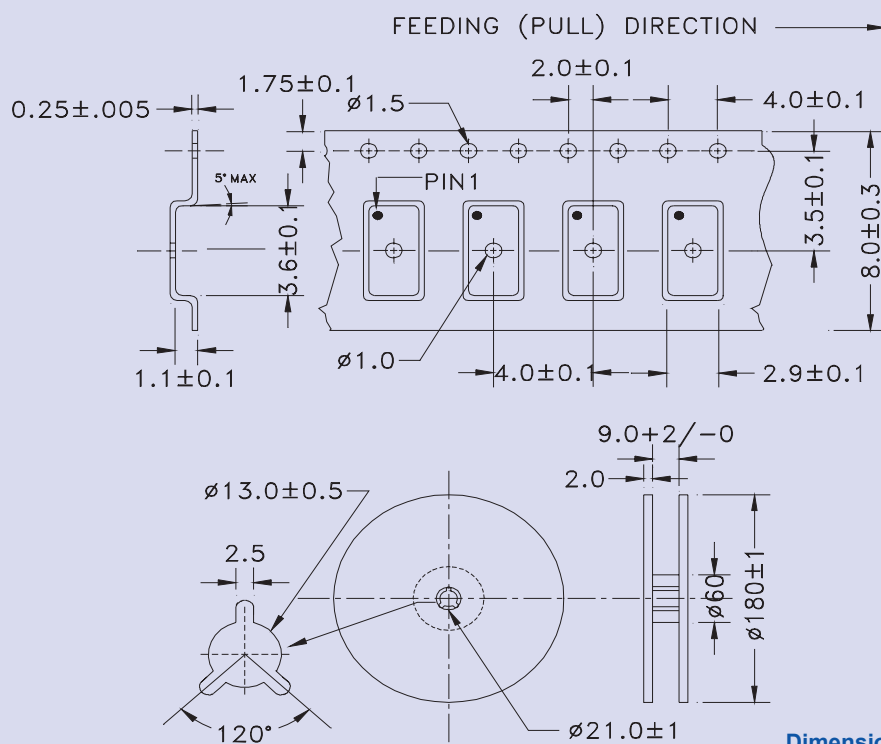
Dimensions: Inches (mm)

**Note:** It is recommended to use an approximately 0.01uF bypass capacitor between PIN 2 and 4. It is not recommended that paths go underneath the oscillator. If needed, please use multi-layer PCB board or resist coating.

PIN	FUNCTION
1	Vcc/GND*
2	GND
3	OUTPUT
4	Vdd

\* GND for ASTX-11L (TCXO)

## TAPE & REEL: Tape and reel 1,000pcs/reel



Dimensions: mm

Please contact ABRACON if parts are intended for life dependent applications.



Visit [www.abracon.com](http://www.abracon.com) for Terms & Conditions of Sale **Revised: 12.21.07**  
30332 Esperanza, Rancho Santa Margarita, California 92688  
tel 949-546-8000 | fax 949-546-8001 | [www.abracon.com](http://www.abracon.com)