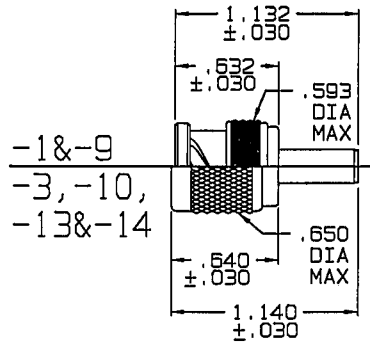
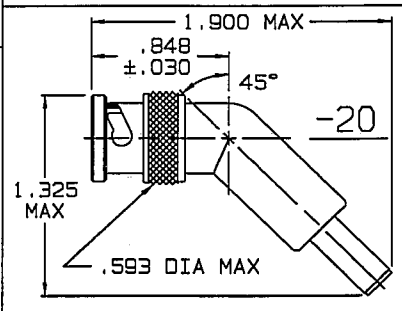
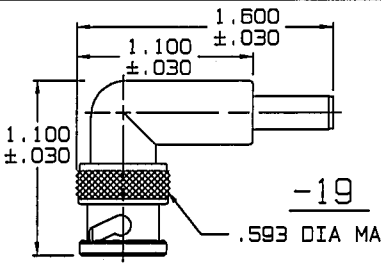
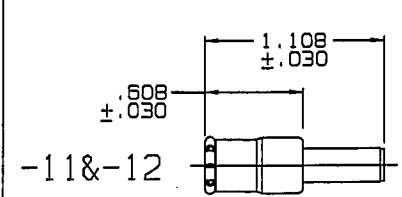
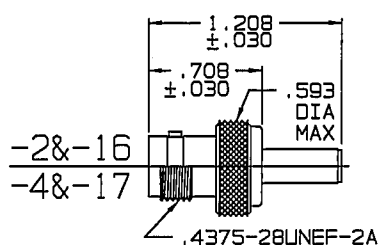


RED INDICATES ORIGINAL

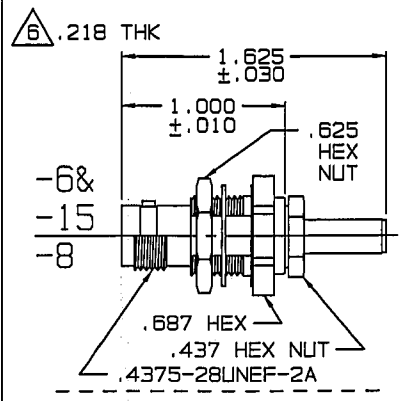
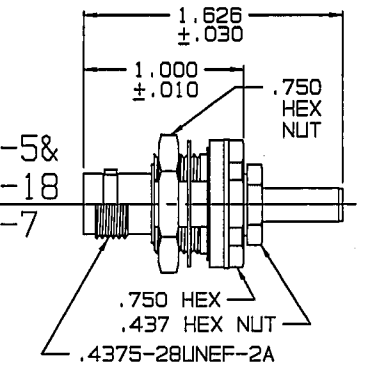
TABLE 1				
DASH NO	CONN TYPE	IMPD (OHMS)	MATERIAL Δ	ASSEMBLE PER
-1	PL220	50	1-0442-008	TAI-A118
-2	CJ220		1-0443-008	
-3	PL240		1-0446-008	
-4	CJ240		1-0445-008	
-5	BJ226		1-0472-008	
-6	BJ229	75	1-0473-008	TAI-123
-7	BJ246		1-0045-008	
-8	BJ249		1-0047-008	
-9	UPL220		1-0468-008	
-10	UPL240		1-0041-008	
-11	PL223	50	1-0009-008	TAI-A118
-12	UPL223	75	1-0050-008	TAI-D118
-13	PL240S	50	1-0446-008	TAI-A118
-14	UPL240S	75	1-0041-008	TAI-D118
-15	UBJ229		1-0488-008	TAI-123
-16	UCJ220		1-0494-008	TAI-D118
-17	UCJ240		1-0496-008	TAI-123
-18	UBJ226		1-0489-008	TAI-221
-19	UPLR220		1-0504-008	TAI-223
-20	UPLFF220		1-0517-008	TAI-D118
-21	UBJ220	1-0515-008	TAI-D118	



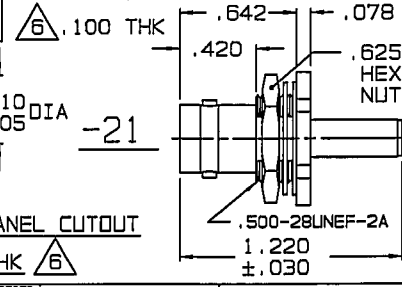
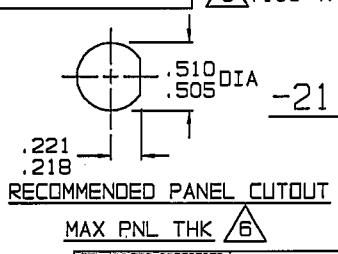
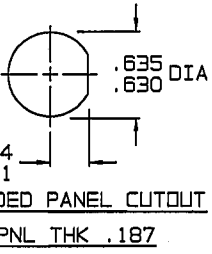
DATA CONTAINED IN THIS DOCUMENT IS PROPRIETARY TO TROMPETER ELECTRONICS, INC. AND SHALL NOT BE DISCLOSED, COPIED OR USED FOR REPRODUCTION OR MANUFACTURE WITHOUT EXPRESS WRITTEN PERMISSION.		REV		ED		REVISIONS		105-1798		SH	
A				DESCRIPTION		DWN		APPROVED		DATE	
				PRODUCTION RELEASE		R L					



CENTER CONTACT CRIMP TOOLING			
CONTACT TYPE	MILITARY 8 POINT INDENTER	COMMERCIAL HEX	COMMERCIAL 8 POINT INDENTER
50 OHM PIN CONTACT	M22520/1-01 BASIC TOOL WITH M22520/1-12 TURRET HEAD SELECTOR NO. 6	TEI CT4L BASIC TOOL WITH TEI CD3-1 DIE, CLOSURE C (.068 HEX)	N/A
50 OHM SOCKET CONTACT	M22520/1-01 BASIC TOOL WITH M22520/1-12 TURRET HEAD SELECTOR NO. 6	TEI CT4L BASIC TOOL WITH TEI CD3-1 DIE, CLOSURE C (.068 HEX)	N/A
75 OHM PIN CONTACT	N/A	TEI CT4L BASIC TOOL WITH TEI CD3-1 DIE, CLOSURE D (.042 HEX)	TEI 010-0055
75 OHM SOCKET CONTACT	N/A	TEI CT4L BASIC TOOL WITH TEI CD3-1 DIE, CLOSURE D (.042 HEX)	TEI 010-0088



CRIMP SLEEVE TOOLING		
CONNECTOR TYPE	MILITARY HEX	COMMERCIAL HEX
50 OR 75 OHM CONNECTORS	M22520/5-01 BASIC TOOL WITH M22520/5-05 DIE, CLOSURE B (.178 HEX)	TEI CT4L BASIC TOOL WITH TEI CD3-1 DIE, CLOSURE B (.178 HEX)



- EXAMPLE OF COMPLETE PART NO:
105-1798 - 1
BASIC PART NO. [] DASH NO (SEE TABLE 1)
- 50 & 75 OHM FULL CRIMP COAXIAL BNC/TNC CABLE PLUGS/ RECEPTACLE/INSULATED & NONINSULATED BULKHEAD MOUNT CABLE RECEPTACLE/PUSH-ON PLUG & 75 OHM BNC/TNC/PUSH-ON FULL CRIMP COAXIAL CABLE PLUG FOR ERICSSON CABLE NO. TZC75024
- FINISH: TFS-1A (NICKEL)
- ALL DIM ARE IN INCHES

Δ REPLACE CRIMP SLEEVE 8-1613-15 WITH CRIMP SLEEVE 105-1086-101

TIL UNLESS SPECIFIED .XX ± .005 .XXX ± .000 UNLESS		TROMPETER ELECTRONICS, INC.		220/240 SERIES-TZC75024	
DWN	L 8/8/99	MATERIAL	CODE IDENT	DRAWING NO.	REV
CHK	5-8-99		14949	105-1798	A
ENGR		SCALE	DATE	6/8/99	SHEET
APPR		NEXT ASSY			