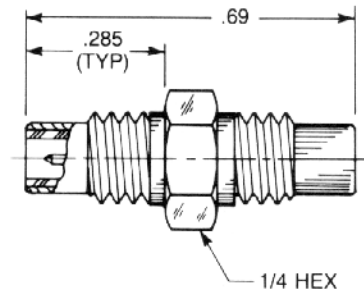


### Straight Male Jack To Jack Adapter

- Connects two plugs

5813-1501-000 (Gold plated)

5813-7501-000 (Nickel plated)

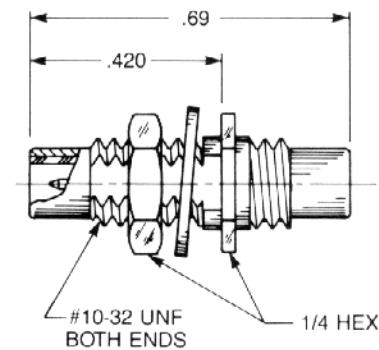


### Bulkhead Mounted Straight Male Jack To Jack Adapter

- Connects two plugs
- For .093" max. panel

5822-1501-000 (Gold plated)

5822-7501-000 (Nickel plated)

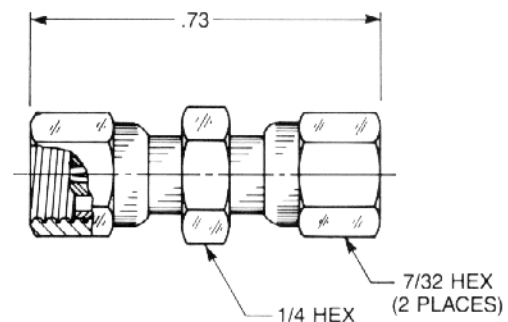


### Straight Female Plug To Plug Adapter

- Connects two jacks

5816-1501-000 (Gold plated)

5816-7501-000 (Nickel plated)

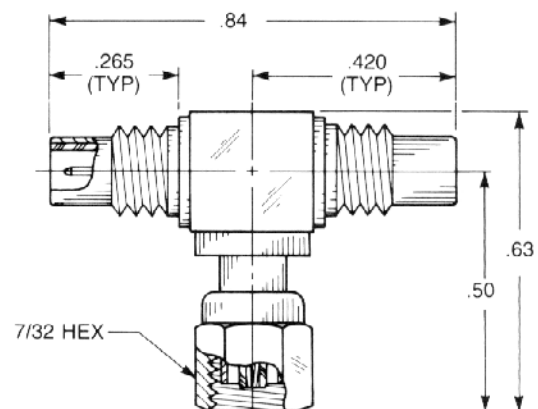


### Tee Adapter (Unmatched Power Divider) Jack To Plug To Jack

- Connects two plugs and one jack

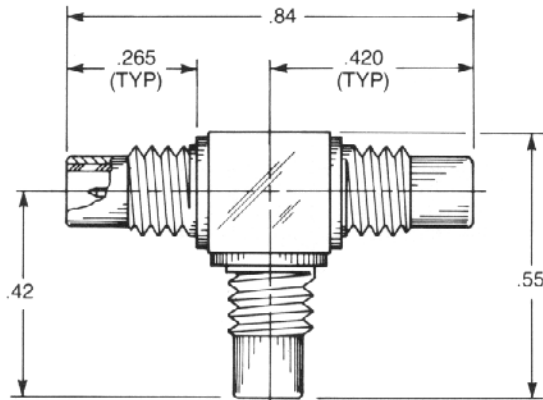
5815-1501-000 (Gold plated)

5815-7501-000 (Nickel plated)





RESISTIVE TERMINATIONS

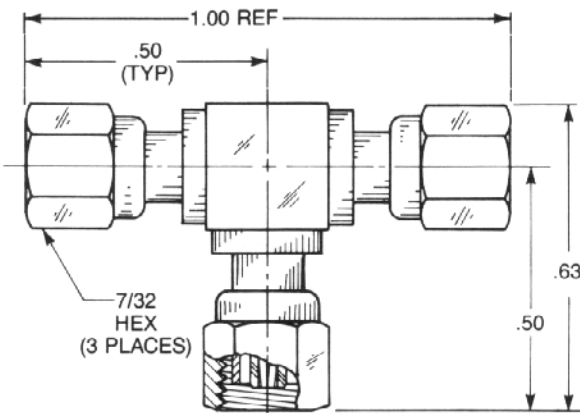


**Tee Adapter  
(Unmatched Power Divider)  
Jack To Jack To Jack**

- Connects three plugs

5807-1501-000 (Gold plated)

5807-7501-000 (Nickel plated)

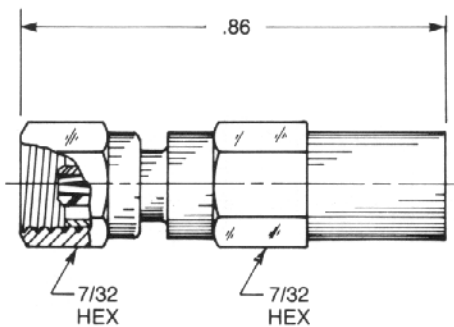


**Tee Adapter  
(Unmatched Power Divider)  
Plug To Plug To Plug**

- Connects three jacks

5808-1501-000 (Gold plated)

5808-7501-000 (Nickel plated)



**Female Plug  
Resistive Termination**

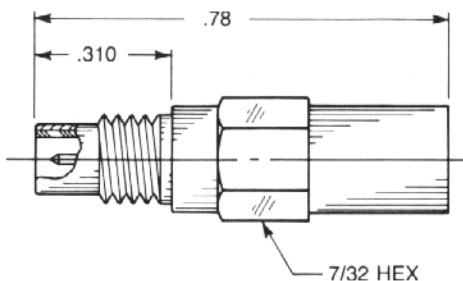
(Dummy load)

Standard resistor:  
51 ohm, 1/2 watt,  
5% tolerance

1036-1511-051 (Gold plated)

1036-7511-051 (Nickel plated)

Available with other resistances



**Male Jack  
Resistive Termination**

(Dummy load)

Standard resistor:  
51 ohm, 1/2 watt,  
5% tolerance

1037-1511-051 (Gold plated)

1037-7511-051 (Nickel plated)

Available with other resistances