

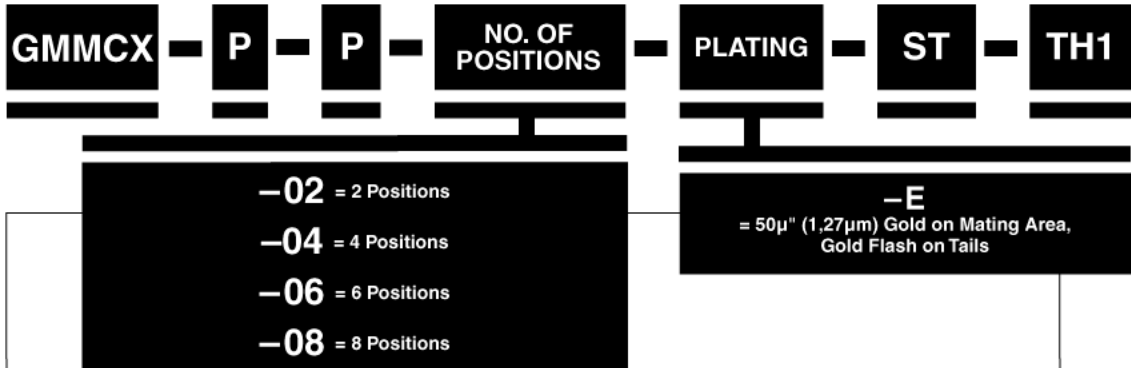
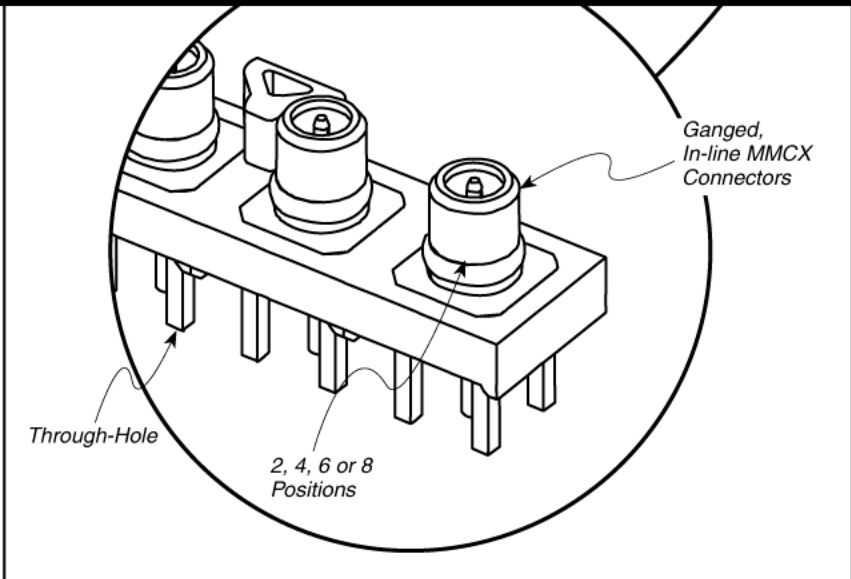
GANGED RF PCB MOUNT PLUG GMMCX-P SERIES

SPECIFICATIONS

For complete specifications see www.samtec.com?GMMCX-P

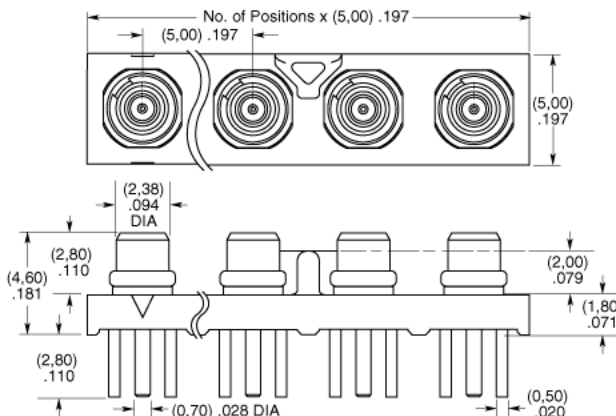
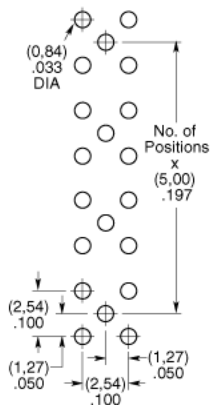
- Shell Material:** Brass
- Insulator Material:** Teflon
- Pin Material:** Brass
- Plating:** 30µ" (0,76µm) Au over 50µ" (1,27µm) Ni
- Operating Temp Range:** -40°C to +90°C
- Insulation Resistance:** 1000MΩ min
- Contact Resistance:** Center: 5mΩ Outer: 2.5mΩ
- Impedance:** 50Ω
- Dielectric Withstanding Voltage:** 500 Vrms, 50Hz
- Dielectric Working Voltage:** 170 Vrms, 50Hz
- Frequency Range:** 0-6 GHz

Mates with: GMMCX-J



Processing:

Lead-Free Solderable: Yes
Suggested PCB Layouts: For reference only. Please contact Samtec or go to www.samtec.com?GMMCX-P for recommended PCB layout.



Due to technical progress, all designs, specifications and components are subject to change without notice.

WWW.SAMTEC.COM