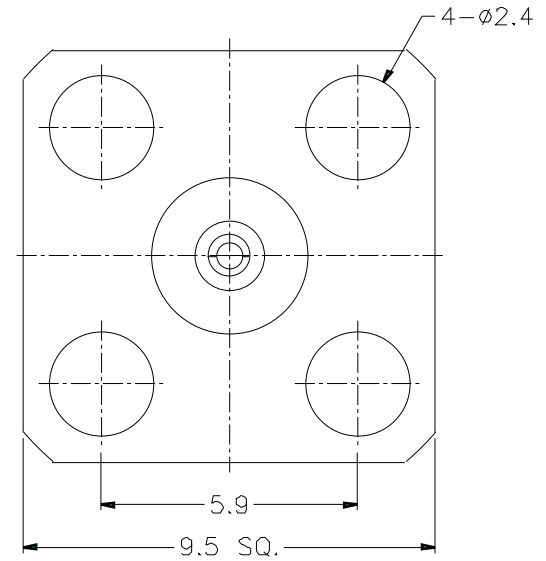
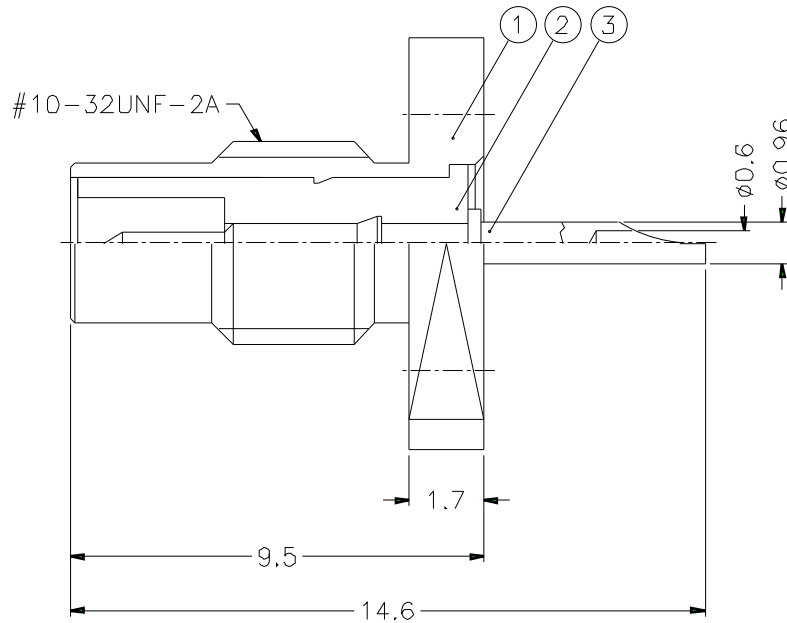


1			2			3			4			5			6			7			8		
REVISIONS																							
ISS	ZONE	DESCRIPTION\PER REQUEST\DATE																					



NOTES: FINISH (PLATING THICKNESS IN MICRO-INCHES)

1. BRASS PER QQ-B-626
2. NICKEL PL. 100 MIN. THICK OVER COPPER STRIKE
3. GOLD PL. 30 MIN. THICK OVER NICKEL PL 100 MIN. THICK OVER COPPER STRIKE
4. TEFLON MIL-P-19468

DIMENSIONS ARE IN MILLIMETERS										PART NO. SMC1551A1-NT30G-50		Amphenol		
UNLESS OTHERWISE SPECIFIED TOLERANCES										APPROVED DATE 10-11-01'				TITLE SMC PANEL MOUNT RECEPTACLE JACK
0.5-6 = ±0.2										CHECKED DATE 10-11-01'		DRAWING NO. KJ-SMC1551A1-NT30G-50		
6-30 = ±0.4										DRAWN DATE 10-11-01'		ITEM NO.		
30-120 = ±0.6														
120-315 = ±1														
315-1000 = ±1.6														
1000-2000 = ±2.4														
3	CONTACT PIN	NOTE 1	NOTE 3	1	SMB1551A1-3	SCALE	6/1	ISSUE	A	FILE NO				
2	INSULATOR	NOTE 4	NATURAL	1	SMB1551A1-2T-50									
1	BODY	NOTE 1	NOTE 2	1	SMC1551A1-1									
NO.	DESCRIPTION	MATERIAL	FINISH	Q'TY	DRAWING NO.									

1			2			3			4			5			6			7			8		
---	--	--	---	--	--	---	--	--	---	--	--	---	--	--	---	--	--	---	--	--	---	--	--