

MATERIALS:

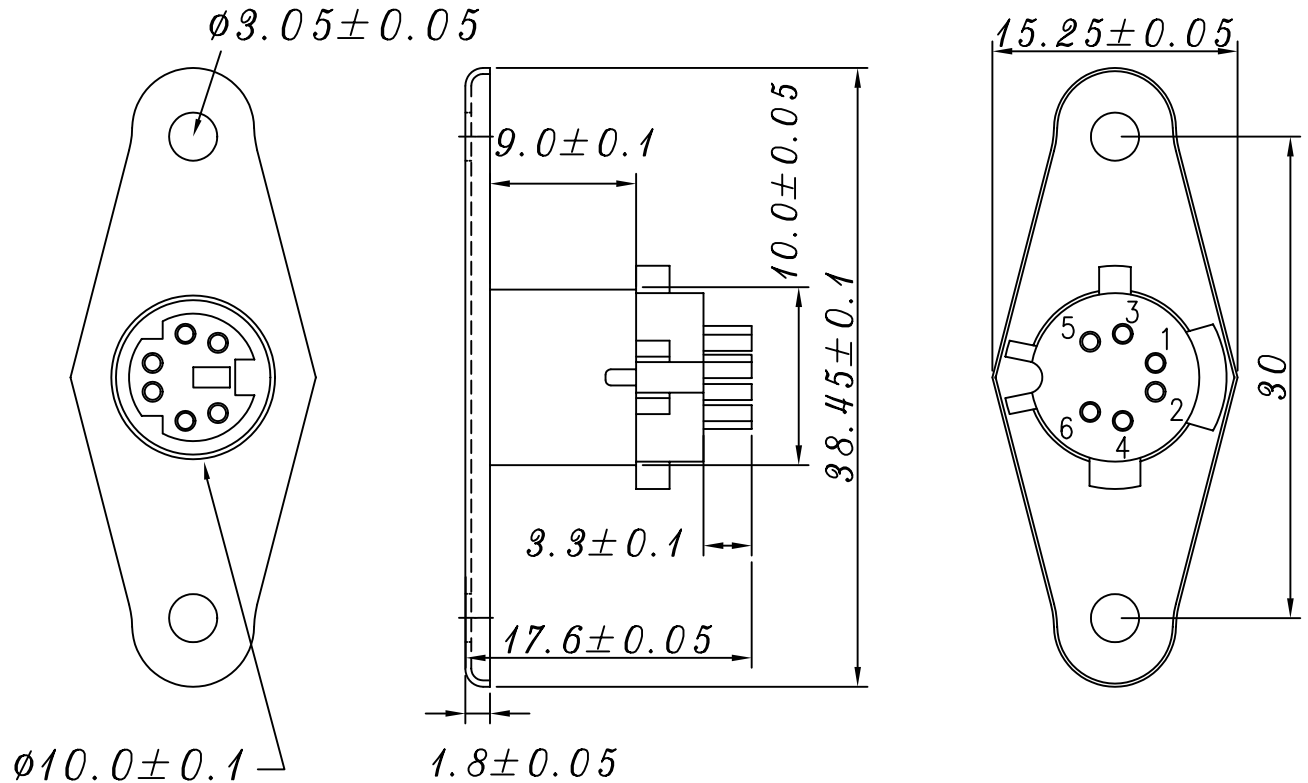
HOUSING: FIBER+NULON

METAL SHELL: BRASS/NICKEL PLATED

CONTACTS: PHOSPHOR BRANZESILVER PLATED

SPECIFICATIONS:

1. RATION: 100V AC 1A MAX or 12V DC 2A MAX.
2. INSULATION RESISTANCE: 50M OHM MIN at 250V DC.
3. DIELECTRIC STRENGTH: 250 V AC / 1 MINUTE.
4. CONTACT RESISTANCE: 30M OHM MAX.
5. INSERTION FORCE: 4.5KG MAX.
6. WITHDRAWAL FORCE: 0.9KG ~ 3KG.



MORETHANALL
CONNECTORS
ASSEMBLIES

PART NO. MDS-SPL-xx

DWG NO. MDS-SPL-xx

APPROVED BY CY

FILE NO.

DRAWING BY

TOLERANCES ARE

.X ±0.05
.XX
.XXX
AWG

DESCRIPTION:

MINI DIN SOCKET
METAL PANEL MT

焯倫有限公司

UNIT / mm

SCALE 1:1

PROJECTION

AREA

REVISIONS

HK

DATE