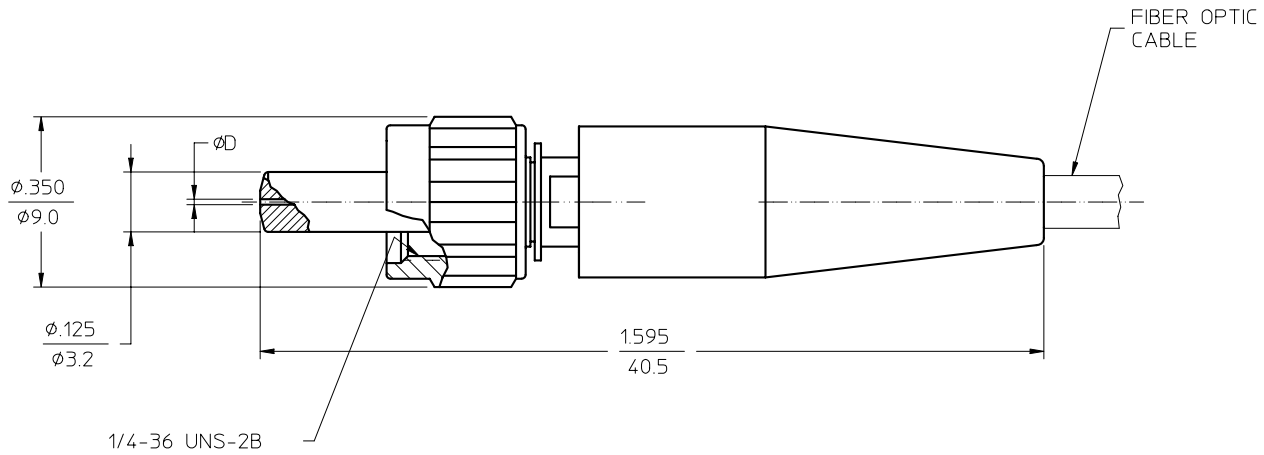


P/N OF CONNECTOR	∅D (µm)	MATERIAL OF COUPLING NUT	MATERIAL OF FERRULE	CABLE TYPE	VERSION	COLOR OF BOOT	
86020-0050	128	PLASTIC	Zr	MULTIMODE	REAR NUT	BLACK	
86021-0050		METAL					
86020-1050	PLASTIC	144					
86021-1050	METAL						
86020-0200	128	PLASTIC			CRIMP		RED
86021-0200		METAL					
86020-1200	144	PLASTIC					
86021-1200		METAL					
86020-0240	128	PLASTIC					
86021-0240		METAL					
86020-1240	144	PLASTIC					
86021-1240		METAL					



ALL DIMENSIONS ARE GIVEN IN  $\frac{\text{INCHES}}{\text{mm}}$



Fiber Optics

Downers Grove, Illinois

RESTRICTED RELEASE  
DRAWING MAY CHANGE WITHOUT  
CUSTOMER NOTIFICATION

TITLE: SMA TYPE CONNECTOR

Drawing No. 8602X-XXX0 CD

Size B

Scale 4:1

REV D

Sheet 1 of 1