

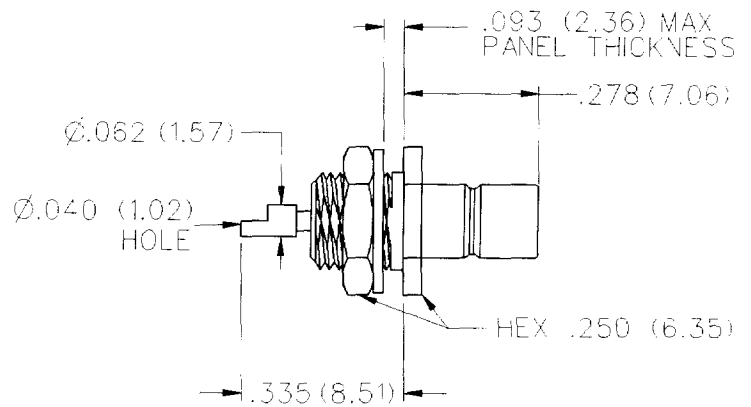
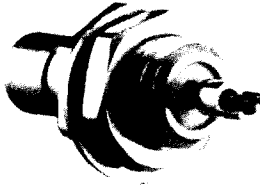
SMB - 50 Ohm Connectors

Bulkhead and Panel Mount

JOHNSON
Components®

INCHES (MILLIMETERS)
CUSTOMER DRAWINGS AVAILABLE UPON REQUEST

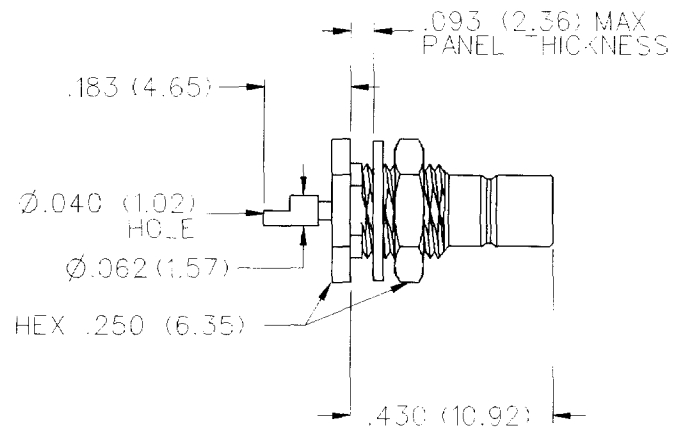
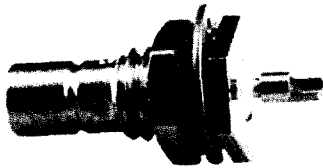
Front Mount Bulkhead Jack Receptacle



GOLD PLATED	NICKEL PLATED
131-3701-411	131-3701-416

Mounting hole layout figure 5 page 174.

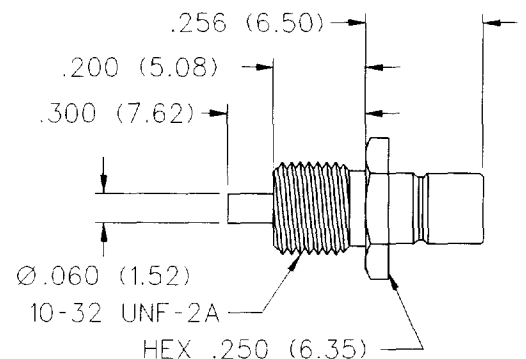
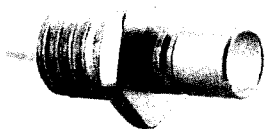
Rear Mount Bulkhead Jack Receptacle



GOLD PLATED	NICKEL PLATED
131-3701-401	131-3701-406

Mounting hole layout figure 5 page 174.

Round Contact Jack Receptacle - Thread Mount Ruggedized Interface



GOLD PLATED	NICKEL PLATED
131-3701-441	131-3701-446