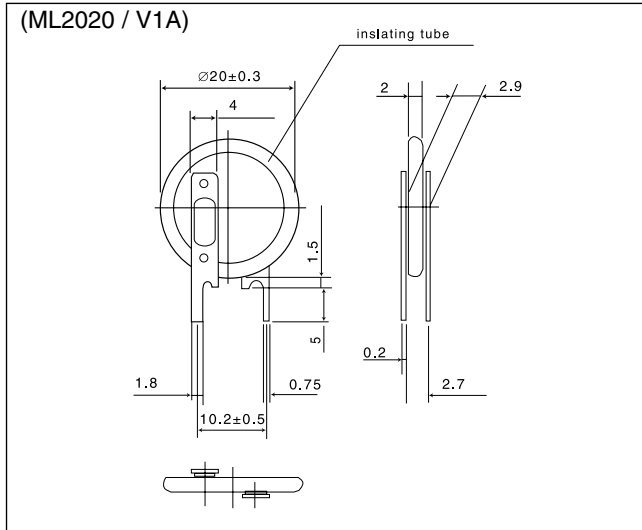


ML2020

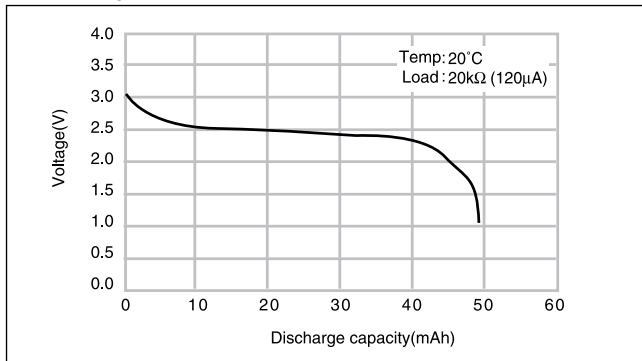
■ Dimensions(mm)



■ Specification

Nominal voltage(V)	3
Nominal capacity(mAh)	45
Continuous drain(mA)	0.12
Operating temperature(°C)	-20 to +60

■ Discharge characteristics



■ Consumption current vs. duration time

