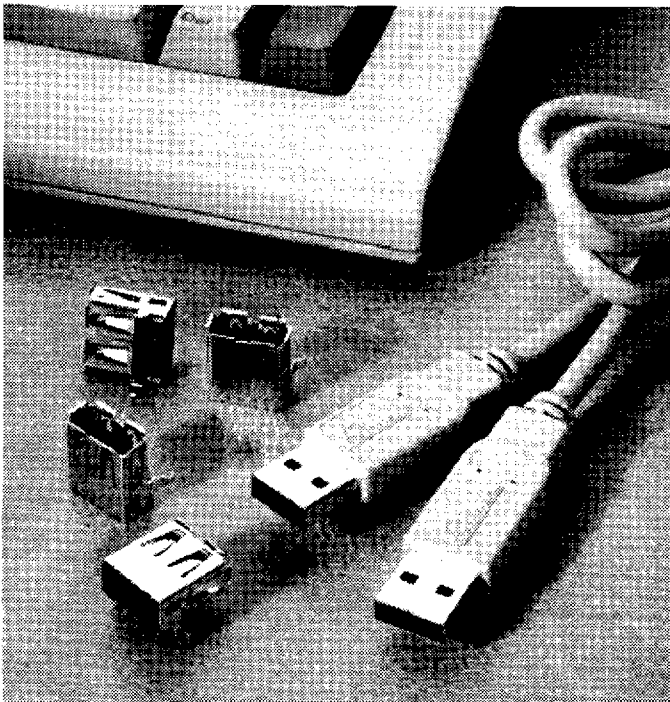


USB Series 'A' and 'B' Receptacles



The Universal Serial Bus (USB) Connector allows a standard for attachment of computer peripherals and devices to desktop computer through a single universal cable. Series 'A' cables are permanently attached to devices including keyboards and computer pointing devices. Series 'B' Connectors connect sockets on devices like printer and computers. Methode's USB connectors are available in a wide variety of custom configurations and options including selective gold plating, surface and right-angle mounting styles for receptacles and stacked and single level receptacles.

Features

- USB standard for peripherals and computer devices
- Available in 30 mil and selective over gold plating
- Surface mount and right angle connector styles
- Thermoplastic overmolded and stainless steel shells
- Single and double stack connector options

Features

Materials

Contact Material: Copper Alloy

Contact Plating: Selective gold flash over contact.
Front and rear shells are tin or tin-lead plating over copper

Mechanical Performance: Mating interface complies with USB Spec Rev 1.0

Electrical Performance

Current Rating: 30 VAC, 1 amp max per contact

Contact Resistance: 15 milliohms max (initial)

Dielectric Withstand Voltage: 750 VAC at sea level

Capacitance: 2 picofarads max at 1 khz

ORDERING INFORMATION FOR RECEPTACLE

02 X-X XX-X1-X00X-X

- BLANK = BLACK
W = WHITE
- PLATING CODE**
G = SELECTIVE 5 μ " AU
F = SELECTIVE 15 μ " AU
8 = SELECTIVE 30 μ " AU
- MOUNTING STYLE**
2 = SMT
3 = RIGHT ANGLE, THRU BOARD
- HOUSING MATERIAL**
8 = PBT
1 = PCT
- NO. OF POSITIONS**
- NO. OF ROWS**
A = SERIES A
B = SERIES B
- 02 = USB RECEPTACLE



Connector Products

1700 Hicks Road • Rolling Meadows, IL 60008
847/392-3500 • Fax: 847/392-9404

Methode Electronics Far East PTE Ltd

1 Tuas Lane • Jurong Town • Singapore 638610
65-6890883 • 65-8614777

Methode Electronics Europe Ltd

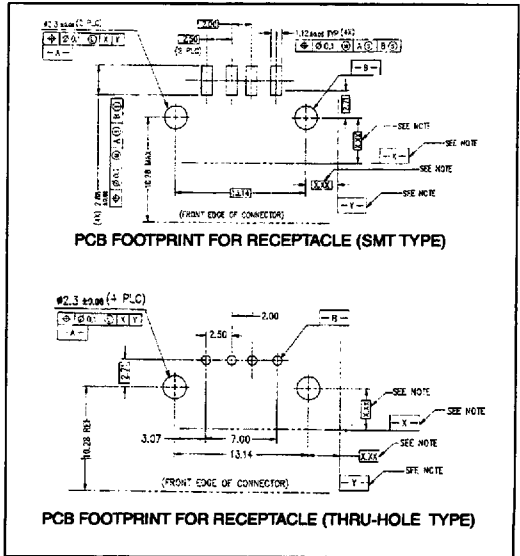
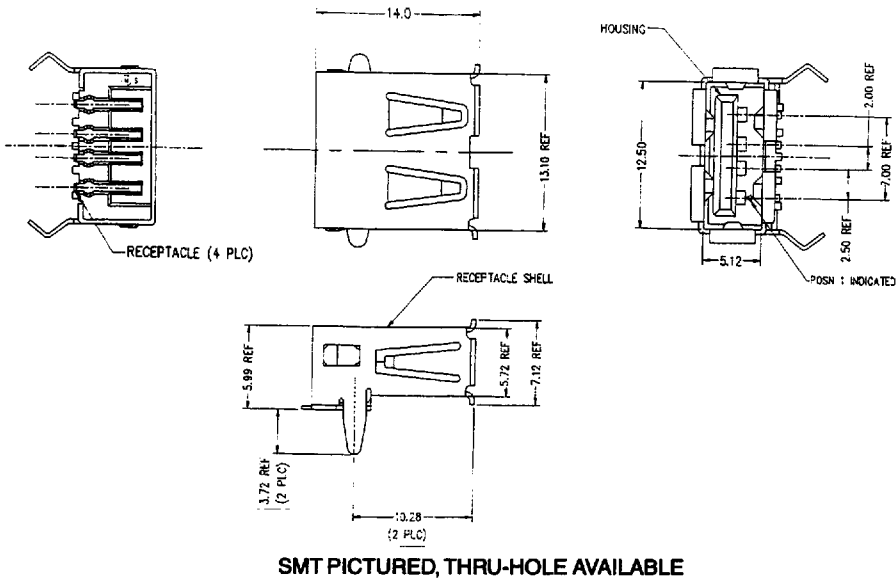
Vale of Leven Industrial Estate
Dumbarton G82 3PD • Scotland
441 389 732123 • 441 389 732777

www.methode.com

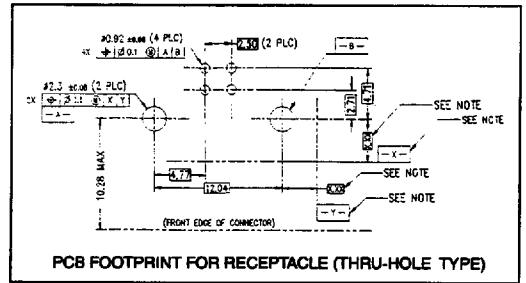
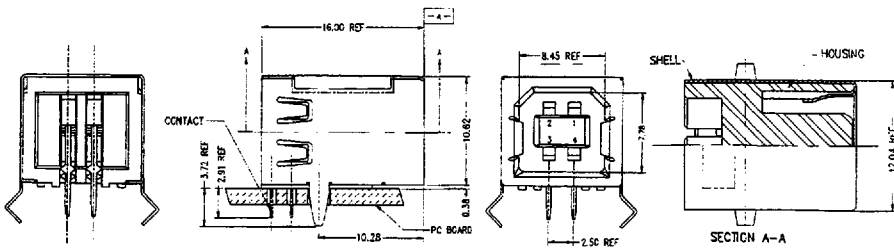
USB Series 'A' and 'B' Receptacles



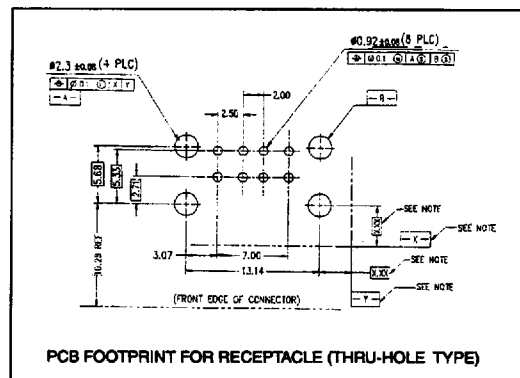
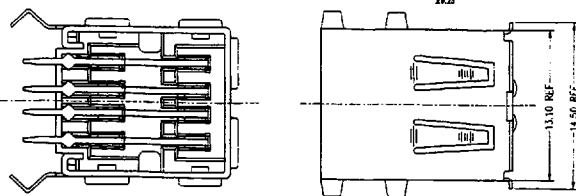
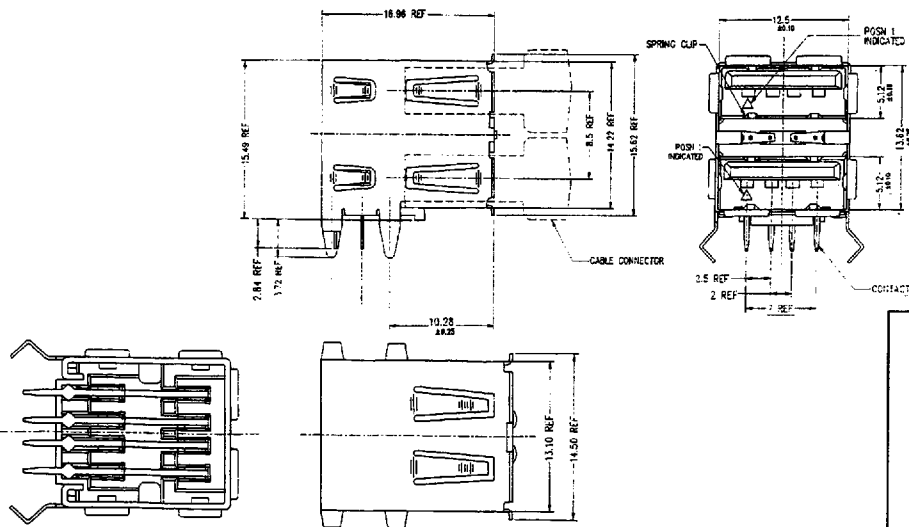
USB Series A Connector



USB Series B Thru-Hole Connector



USB Series A Thru-Hole Stacked Connector



Note to PCB Footprints: Datum and basic dim established by customer