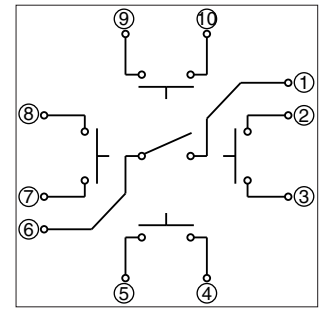
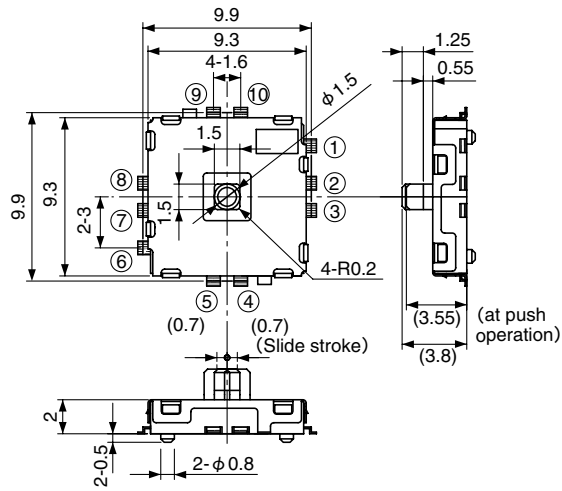
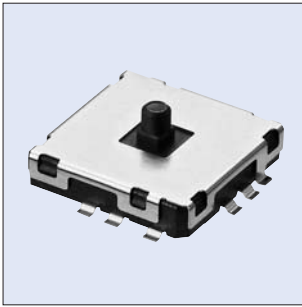
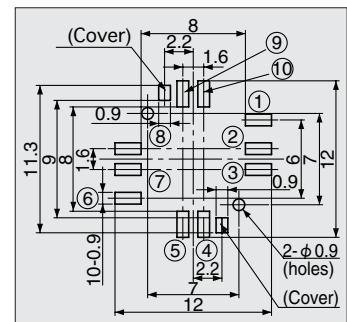


TWK7018-0110109



Circuit Diagram



PCB Layout
(Top View)

Ratings	1 mA 10 V DC
Contact Resistance	500 Ω max.
Insulation Resistance	100 MΩ min. at 100 V DC
Dielectric Strength	100 V AC / 1 minute
Operating Force	0.6 ± 0.3 N
Operating Life	500,000 cycles