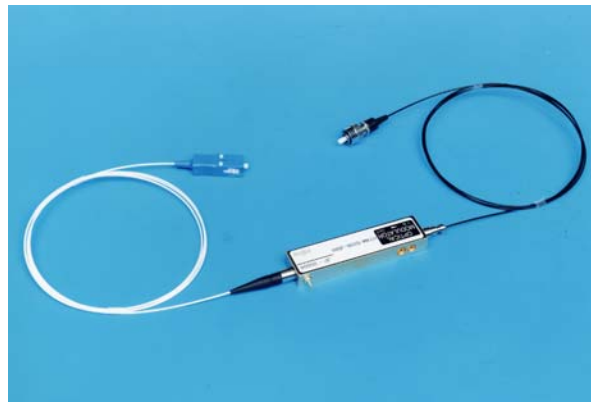


Dual Drive 10Gb/s LiNbO₃ External Modulator

Description

- Dual Drive 10Gb/s Mach-Zehnder modulator, using Ti diffused LiNbO₃ waveguide technology
- Low drive voltage by dual drive
- Adjustable chirp
- Built-in a monitor PD for auto bias control
- Stable operation in long term for low DC drift
- Applications:
 - OC-48/192(STM-16/64) MSA module/optical transmission equipment
 - DWDM optical transmission equipment
 - Measurement equipment for high speed telecommunications



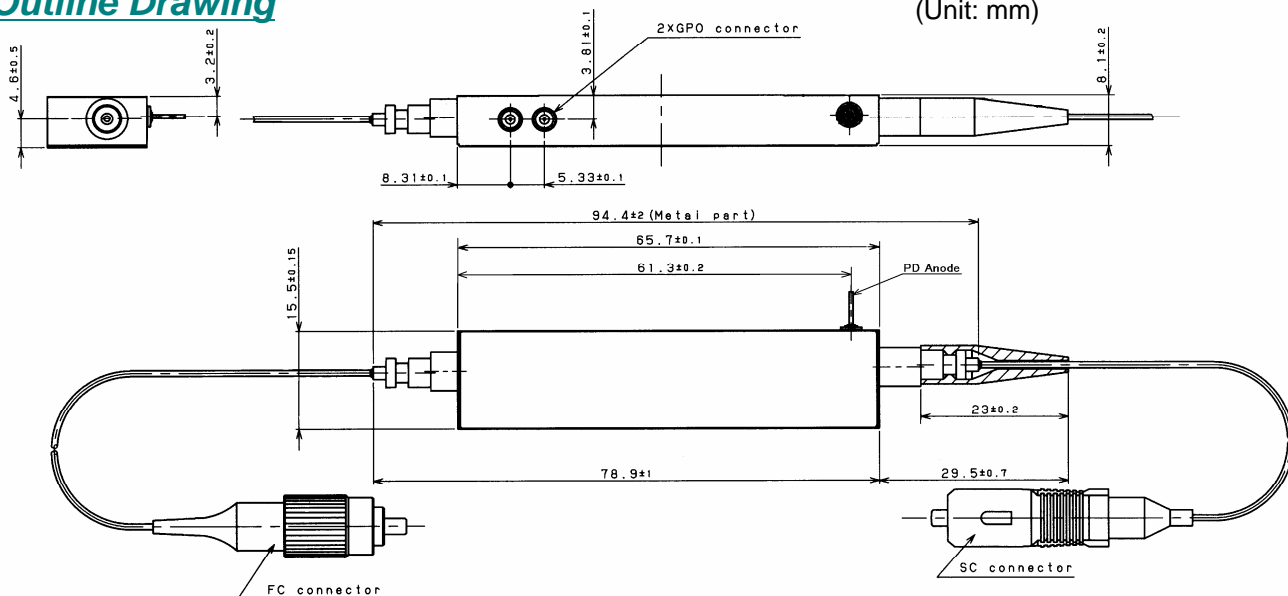
Specifications

Part Number		FTM7922ER
Optical Bandwidth (3dB down)		≥8.5GHz
Operating Wavelength		1530 to 1610nm
Drive Voltage ($V\pi$) *1,*2		≤2.6V
Extinction Ratio *1		≥18dB
Insertion Loss	C band	≤6.0dB
	L band	≤7.0dB
Electrode Impedance		Typ. 50 ohm
Monitor PD Responsivity		≥0.0023 A/W
Operating Case Temperature		-5 to 75°C
Package Size (L x W x H)		65.7 x 15.5 x 8.1 mm / 2.6 x 0.61 x 0.32 inches

*1: at low frequency

*2: at complimentary drive

Outline Drawing



Fujitsu Limited

Optical Component Unit Sales Department

1-1 Kamikodanaka 4-chome, Nakahara-ku, Kawasaki, 211-8588, Japan (Company Mail No. H0913)

Tel: +81-44-754-3757, Fax: +81-44-754-3598

E-mail: optmdl-sales2@ml.css.fujitsu.com

<http://www.fujitsu.com/global/services/telecom/optcompo>