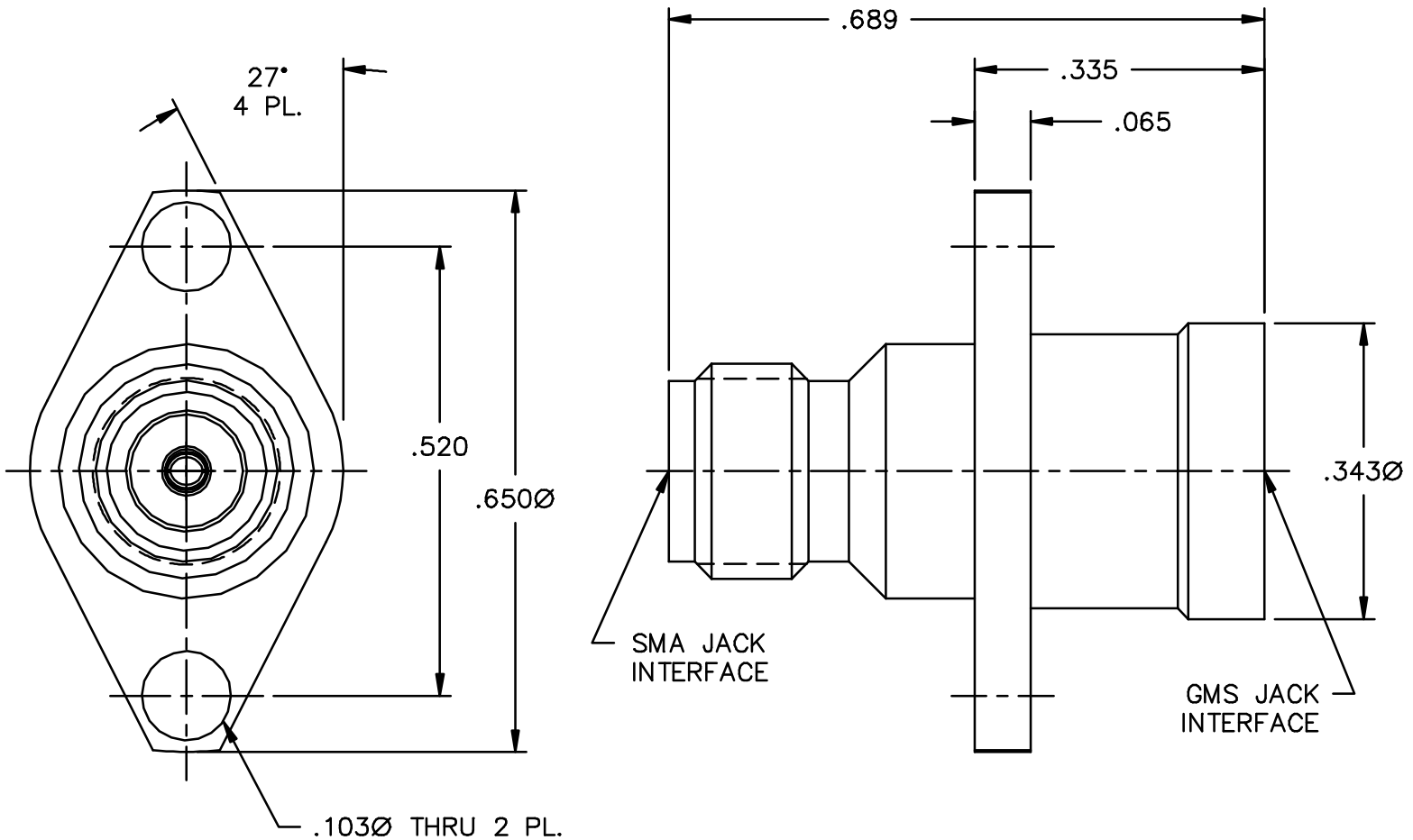
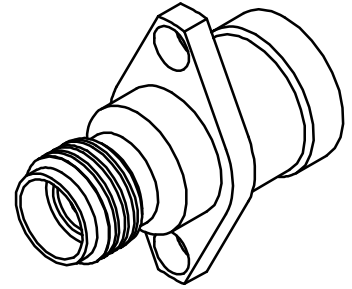


CATALOG NUMBER

00218-103-3

MATERIAL AND FINISH

ADAPTER HOUSING: CRES 303; PASSIVATED  
 CENTER CONTACT AND OUTER CONDUCTOR: BeCu; GOLD PLATE 50-100 MICRONS OVER NICKEL PLATE 50 MICRONS MIN.  
 DIELECTRIC: VIRGIN PTFE (TEFLON)



This drawing and any data contained herein is the property of Corning Gilbert Inc., and constitutes and contains proprietary and confidential information. Neither receipt nor possession of this drawing confers or transfers any right to duplicate, use or disclose any information contained herein except as expressly authorized by Corning Gilbert Inc.

SMA JACK TO  
GMS JACK ADAPTER

IDENT CODE:  
82316

REVISION: C

**Corning Gilbert Inc.**

SOURCE FILE: MECR# 767

DWG. NO.: OL-00218-103-3

ASSY. PROC.: -