

MVKPL Series



- Wide Frequency Range
- Complimentary PECL Output
- +3.30 VDC or +5.00 VDC Supply
- Surface Mount Package
- Less than 1pSec Jitter



ELECTRICAL SPECIFICATION:

Frequency Range	20.000 MHz to 250.000 MHz
Frequency Stability (Inclusive of Temperature, Load, Voltage and Aging)	(See Part Number Guide for Options)
Operating Temperature Range	(See Part Number Guide for Options)
Storage Temperature Range	-55°C to +125°C
Supply Voltage (Vdd)	+5.00VDC ±5% or +3.30VDC ±5%
Supply Current	80mA
Logic "0"	Vdd - 1.620 VDC max
Logic "1"	Vdd - 1.025 VDC max
Symmetry (50% of waveform)	45/55% max
Load	50 Ohms into Vdd - +2.00 VDC
Rise / Fall Time (20% to 80%)	2nSec max
Jitter RMS (12kHz to 20MHz)	1pSec max
Control Volt Range (Vdd = +3.30VDC)	+1.65VDC ±1.50VDC Positive Slope
Control Volt Range (Vdd = +5.00VDC)	+2.50VDC ±2.00VDC Positive Slope
Frequency Deviation	Sufficient to compensate for all conditons for 10 years
Input Impedence	10k Ohms min

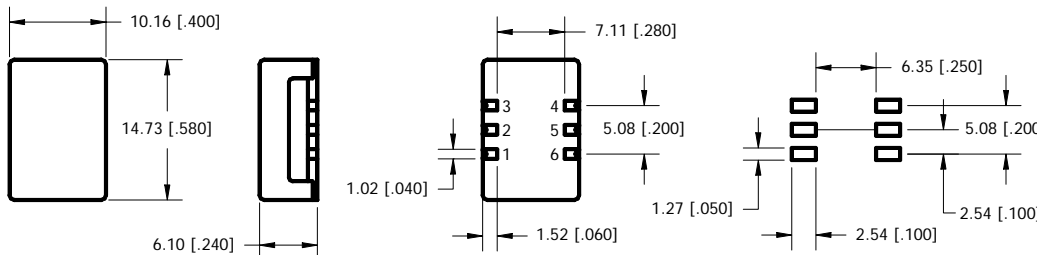
MARKING:

Line 1: MXX.XXX
XX.XXX = Frequency in MHz

Line 2: SYMMML
S = Internal Code
YYMM = Date Code (Year/Month)
L = Denotes RoHS Compliant

Line 3: XXXXX
Internal Manufacture Code

MECHANICAL DETAIL:

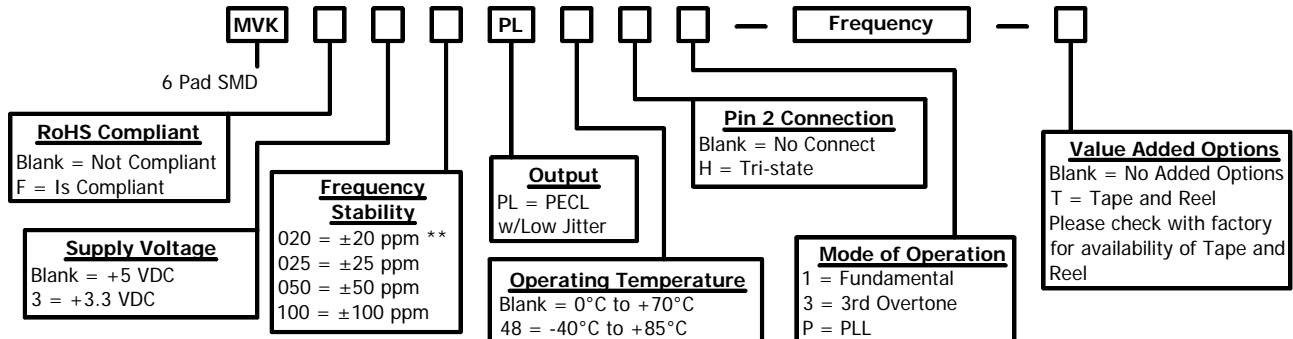


Dimension in Brackets are in Inches
External Bypass Capacitor is Recommended

Recommend Land Pattern

Pin Connections	
Pin 1	Voltage Control
Pin 2	N/C or Tri-state
Pin 3	Case Ground
Pin 4	Output
Pin 5	Complimentary Output
Pin 6	Supply Voltage (Vdd)

PART NUMBERING GUIDE:



** Available from 0° to +70° only.

Please Consult with MMD sales department for any other parameters or options.

MMD Components, 30400 Esperanza, Rancho Santa Margarita, CA, 92688
Phone: (949) 709-5075, Fax: (949) 709-3536, www.mmdcomp.com
Sales@mmdcomp.com