



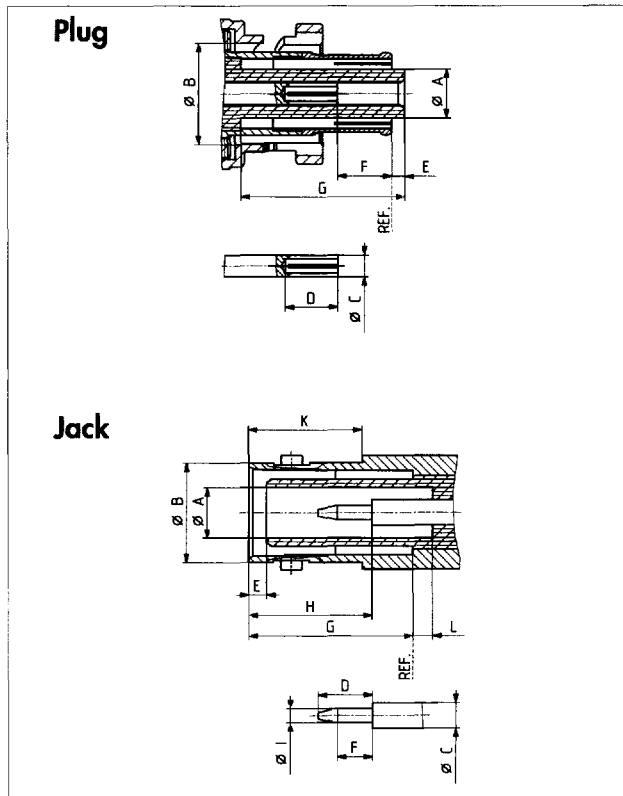
SERIES SHV HIGH VOLTAGE CONNECTORS

Description

SUHNER SHV (Safe High Voltage) connectors provide more secure handling: center contacts are well recessed to prevent shock hazards in unmated condition. All inner contacts are fully captivated and will withstand axial forces of 100 N minimum. When mating a connector pair the outer conductor contact is made prior to the inner conductor contacts.

SHV connectors are suitable for all high voltage applications up to 5 kV DC or 3.5 kV rms. These connectors are typically used in nuclear instruments or test and measurement equipment. Voltages are valid for both, the mated and the unmated condition.

Interface Dimensions



Contents

Description	281
Standards	281
Interface Dimensions	281
Interface Dimensions in mm / inches	281
Technical Data	282
Cable Connectors for Flexible Cables	284
Receptacles with Solder End	285
Adaptors Within-Series	287

Interface Dimensions in mm / inches

	Plug		Jack	
	min.	max.	min.	max.
A	4.57/.180	4.72/.186	4.83/.190	4.98/.196
B	9.78/.385	9.91/.390	9.60/.378	9.70/.382
C	2.06/.081	—	2.06/.081	—
D	5.44/.214	—	5.26/.207	5.44/.214
E	1.17/.046	1.63/.064	1.55/.061	1.98/.078
F	4.42/.174	—	3.30/.130	—
G	15.90/.626	16.10/.634	15.90/.626	16.00/.630
H	—	—	11.59/.456	12.70/.500
I	—	—	1.32/.052	1.37/.054
K	—	—	10.85/.427	—
L	—	—	1.63/.064	2.18/.086

Standards

Interface dimensions and all other technical data conform to **ANSI N 24.4, IEC 498, MIL-STD-348A/314 and NIM ND-545.**

SHV
MHV

Technical Data

ELECTRICAL DATA	REQUIREMENTS
Impedance	50 Ω
Frequency range	DC ... 300 MHz (see also Appendix page 436)
VSWR, mated pair – DC ... 100 MHz – 100 ... 300 MHz	≤ 1.10 ≤ 1.20
Dielectric withstanding voltage (at sea level)	5.0 kV rms, 50 Hz
Working voltage (at sea level, also in unmated condition)	≤ 3.5 kV rms, 50 Hz
Corona extinction voltage (at 21000 m)	≥ 350 V rms, 50 Hz
Insulation resistance	$\geq 10^6$ M Ω
Contact resistance – centre contact – outer contact	≤ 2 m Ω ≤ 1.5 m Ω
Current rating, continuous	≤ 10 A

MECHANICAL DATA	REQUIREMENTS
Coupling nut torque	7 Ncm ... 28 Ncm / 0.6 in.-lbs ... 2.5 in.-lbs
Coupling nut retention force	≥ 450 N / 101.2 lbs
Contact captivation	≥ 27 N / 6.1 lbs
Cable retention force ¹⁾	see pages 36 – 41
Durability (matings)	≥ 500

1) value considers maximum load of the cables without irreversible variations of specifications.

ENVIRONMENTAL DATA	TEST CONDITIONS	TEST CONDITIONS
	PTFE	Polystyrene (GP)
Dielectric		
Temperature range	- 65°C .. + 165°C / - 85°F .. + 329°F	- 55°C .. + 100°C / - 67°F .. + 212°F
Climatic category acc. to IEC	55/155/21	
Thermal shock	MIL-STD-202, Method 107, Condition B	
Humidity	MIL-STD-202, Method 103, Condition B	
Corrosion	Saltspray test acc. to MIL-STD-202, Method 101, Condition B	
Vibration	MIL-STD-202, Method 204, Condition A	
Shock	MIL-STD-202, Method 213, Condition I	
Radiation resistance, polystyrene dielectric	$\geq 10^9$ rad	

MATERIAL DATA

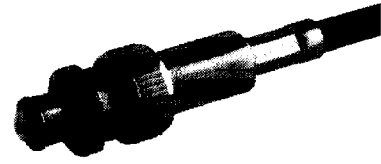
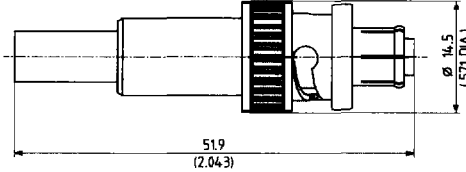
CONNECTOR PART	STANDARDS	MATERIAL	SURFACE/PLATING
Bodies Pin contact	QQ-B-626	brass	SUCOPLATE® gold plated
Outer spring contact, Socket contact	QQ-C-530	beryllium-copper, hardened	SUCOPLATE® gold plated
Crimp ferrules (full crimp)	SUHNER® specification	copper	SUCOPLATE®
Insulators, standard version	ASTM-D-1457, BS 4271 Grade B	PTFE	
Insulators, radiation resistant types	MIL-P-77 A	polystyrene, crosslinked	
Rubber gaskets	ASTM-E-1418 PS 1	silicone rubber	

Some connectors may have a specification that differs from the above mentioned data.

Cable Connectors for Flexible Cables

straight plugs

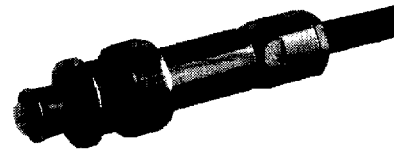
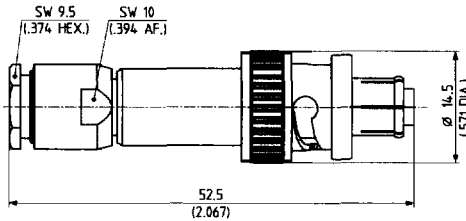
- > SUHNER® full crimp
- > taper sleeves see page 423



SUHNER TYPE	Ident. no.	Cable group (example)	Insulator	Crimp insert	Assembly instruction	Weight	Note
11 SHV-50-3-1	● 541987	U7 (RG 58 C/U)	PTFE	2B	3092	18.0 g/.630 oz.	
11 SHV-50-3-5	● 541989	U7 (RG 58 C/U)	polystyrene	2B	3092	18.0 g/.630 oz.	*
11 SHV-50-4-1	● 541992	U16 (RG 59 B/U)	PTFE	2C	3092	18.0 g/.630 oz.	
11 SHV-50-4-5	● 541994	U16 (RG 59 B/U)	polystyrene	2C	3092	18.0 g/.630 oz.	*

* radiation resistant

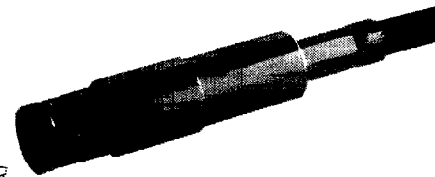
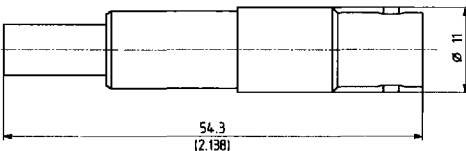
- > cable entry clamp



SUHNER TYPE	Ident. no.	Cable group (example)	Insulator	Assembly instruction	Weight
11 SHV-50-3-10	● 541990	U7 (RG 58 C/U)	PTFE	3094	23.0 g/.805 oz.
11 SHV-50-4-10	● 541996	U15 (RG 59 B/U)	PTFE	3094	23.0 g/.805 oz.

straight jacks

- > SUHNER® full crimp
- > taper sleeves see page 423



SUHNER TYPE	Ident. no.	Cable group (example)	Insulator	Crimp insert	Assembly instruction	Weight
21 SHV-50-3-1	● 541998	U7 (RG 58 C/U)	PTFE	2B	3092	18.0 g/.630 oz.
21 SHV-50-4-1	● 542001	U16 (RG 59 B/U)	PTFE	2C	3092	18.0 g/.630 oz.

● centre contact captivated

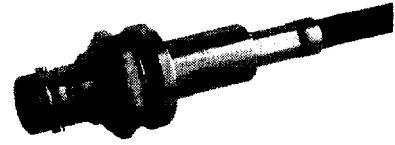
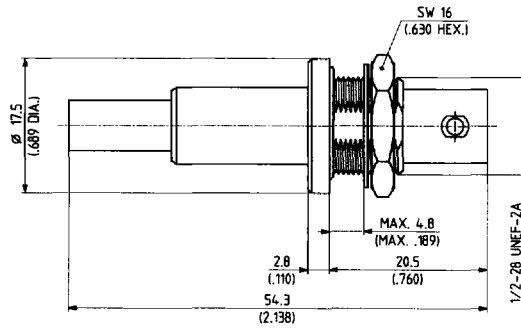
cable groups see page 36

assembly tools see page 403

mounting holes see page 441

bulkhead jacks

- > SUHNER® full crimp
- > with panel seal
- > taper sleeves see page 423

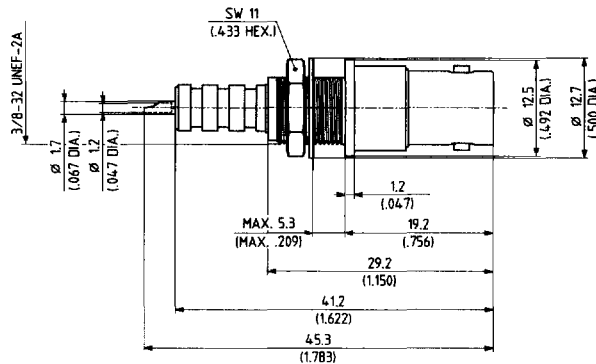


SUHNER TYPE	Ident. no.	Cable group (example)	Insulator	Crimp insert	Assembly instruction	Mounting hole	Weight
24 SHV-50-3-1	641281	U7 (RG 58 C/U)	PTFE	2 B	3092	ML 14	25.0 g/.875 oz.
24 SHV-50-4-1	544592	U16 (RG 59 B/U)	PTFE	2 C	3092	ML 14	25.0 g/.875 oz.

Receptacles with Solder End

receptacles, female

- > bulkhead mounted
- > without panel seal

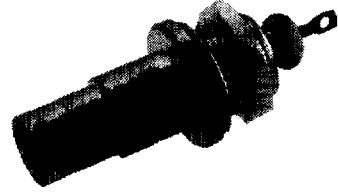
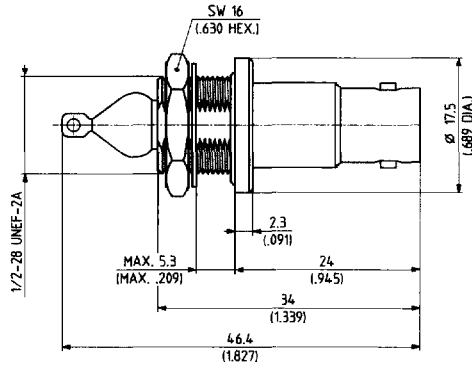


SUHNER TYPE	Ident. no.	Insulator	Mounting hole	Weight	Notes
22 SHV-50-0-4	544054	PTFE	ML 2	12.0 g/.420 oz.	
22 SHV-50-0-6	542007	polystyrene	ML 2	12.0 g/.420 oz.	radiation resistant

- centre contact captivated

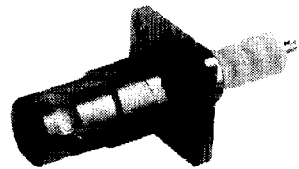
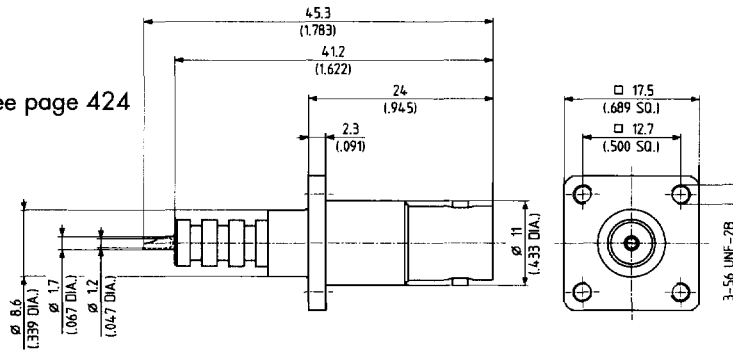
SHV

- > bulkhead mounted
- > hermetically sealed



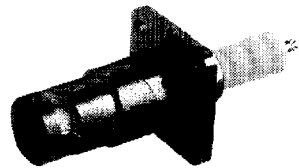
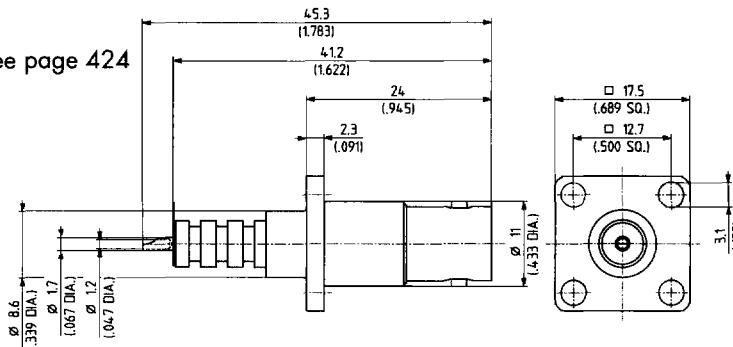
SUHNER TYPE	Ident. no.	Insulator	Mounting hole	Weight	Notes
22 SHV-50-0-3	• 543968	PTFE, glass	ML 4	21.0 g / .735 oz.	leak rate 10 ⁻⁶ Torr l/sec. (atm cc/s)

- > panel mounted
- > fastening screws see page 424



SUHNER TYPE	Ident. no.	Insulator	Mounting hole	Weight	Notes
23 SHV-50-0-1	• 542008	PTFE	ML 106	14.0 g / .490 oz.	

- > panel mounted
- > fastening screws see page 424



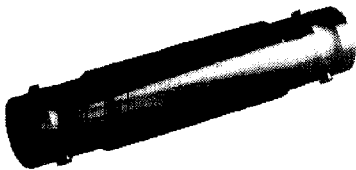
SUHNER TYPE	Ident. no.	Insulator	Mounting hole	Weight	Notes
23 SHV-50-0-2	• 542010	PTFE	ML 106	14.0 g / .490 oz.	

- centre contact captivated

Adaptors Within-Series

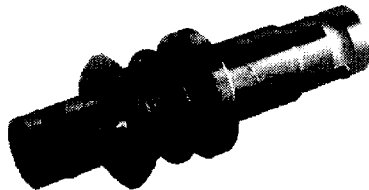
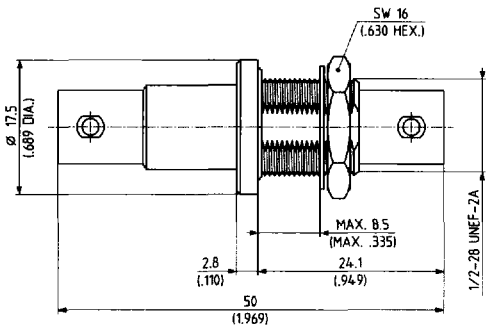
straight adaptors

> jack to jack



SUHNER TYPE	Ident. no.	Insulator	Weight	Notes
31 SHV-50-0-1	• 542018	PTFE	18.0 g/.630 oz.	
31 SHV-50-0-5	• 544810	polystyrene	18.0 g/.630 oz.	radiation resistant

- > jack to jack
- > with panel seal
- > bulkhead mounted



SUHNER TYPE	Ident. no.	Insulator	Mounting hole	Weight	Notes
34 SHV-50-0-1	• 641233	PTFE	ML 4	25.0 g/.875 oz.	
34 SHV-50-0-5	• 544583	polystyrene	ML 4	25.0 g/.875 oz.	radiation resistant

• centre contact captivated

SHV