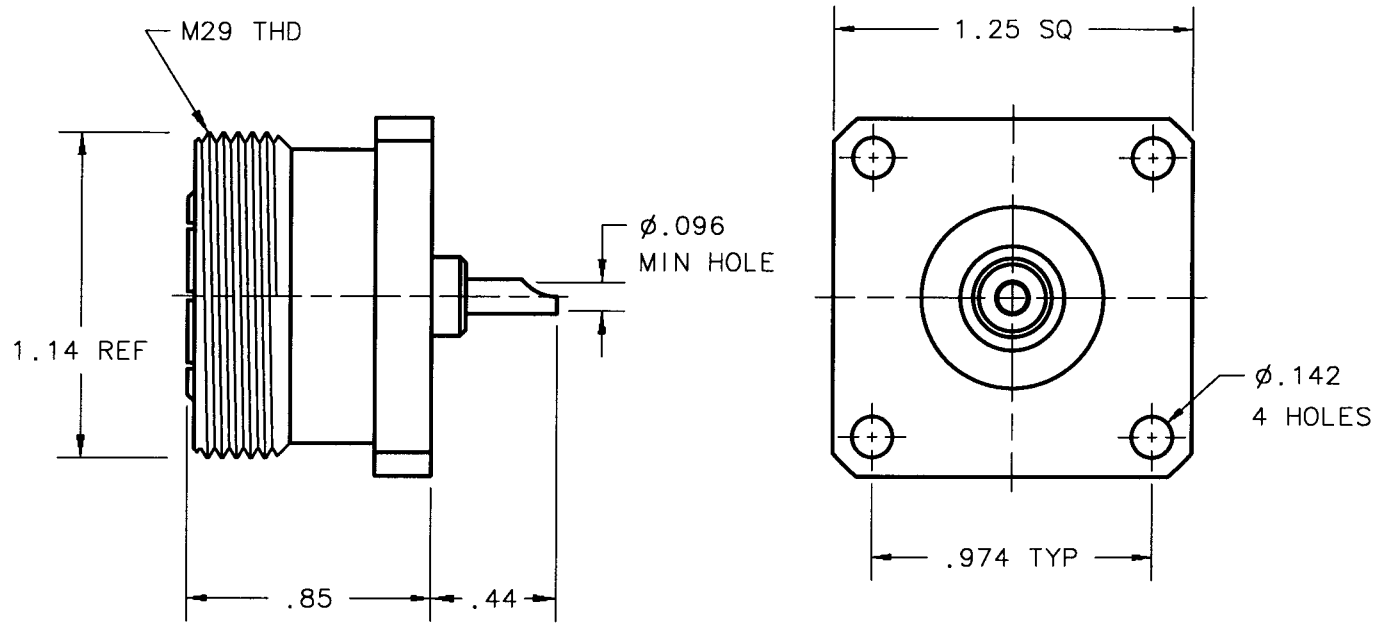


THIS DOCUMENT AND INFORMATION CONTAINED HEREIN ARE THE PROPERTY OF TRU-CONNECTOR CORP. REPRODUCTION OR USE THEREOF, IN WHOLE OR PART, IS PROHIBITED WITHOUT THE WRITTEN CONSENT OF TRU-CONNECTOR CORPORATION.

DWG. NO. TRU-6660-05



PART NO.	CONTACT FINISH	BODY FINISH
TRU-6660-05SNX	SILVER PLATED	NICKEL PLATED
TRU-6660-05SSX	SILVER PLATED	SILVER PLATED
TRU-6660-05SLX	SILVER PLATED	TruLustr PLATED

MATERIAL
 INSULATOR - TEFLON
 FEMALE CONTACT - BERYLLIUM COPPER
 OTHER METAL PARTS - BRASS

FINISH
 METAL PARTS - PER TABLE ABOVE



TRU-CONNECTOR CORPORATION
 245 LYNNFIELD STREET
 PEABODY, MASSACHUSETTS 01960
 phone: 978-532-0775
 fax: 978-531-6993
 E-mail: trusales @ tru-con.com

DESCRIPTION
 CONNECTOR, COAXIAL, RF
 SERIES: 7-16(f)
 RECEPTACLE, PANEL

DRAWN BY WWW	DATE 6-17-98	SCALE 1.5X	CHKD. BY <i>Kathy</i>	FILE AS TRU-6660-05
-----------------	-----------------	---------------	--------------------------	------------------------

REFERENCE

THIRD ANGLE PROJECTION

DWG. NO. TRU-6660-05