

Pin/socket, panel feed-through - SF-7EE1N8AS000 - 1605567


Please be informed that the data shown in this PDF Document is generated from our Online Catalog. Please find the complete data in the user's documentation. Our General Terms of Use for Downloads are valid (<http://phoenixcontact.com/download>)



Pin/socket, panel feed-through, straight, M23, M23, number of positions: 4+3+PE, type of contact: Socket, Crimp connection, Axial O-ring, 4xM3, shielded: yes, cable diameter range: 0 mm ... 0 mm



Key Commercial Data

Packing unit	1 pc
GTIN	 4 046356 253635
GTIN	4046356253635
Weight per Piece (excluding packing)	260.000 g
Custom tariff number	85444290
Country of origin	Germany

Technical data

General

Type of locking	M23
Coding	N
Contact connection method	Crimp connection
Type of contacts	Socket
Number of positions	8
Nominal current per power contact at 25°C	30 A
Nominal current per signal contact at 25°C	9 A
Conductor entry	0 mm ... 0 mm
Pg housing screw connection	none
Mounting type	4x M3

Ambient conditions

Pin/socket, panel feed-through - SF-7EE1N8AS000 - 1605567

Technical data

Ambient conditions

Ambient temperature	-40 °C ... 125 °C
Degree of protection	IP67

Material

Housing material	Turned parts: copper zinc alloy (CuZn), die-cast parts: zinc (GD-Zn)
Insulator material	PA 6.6
Gasket and O-ring material	FPM

Specifications according to DIN EN 61984:2001

Installation height max.	3000 m
Nominal / operating voltage of power contacts	630 V
Rated surge voltage of power contacts	4 kV
Overvoltage category of power contacts	III
Degree of pollution of power contacts	3
Nominal / operating voltage of signal contacts	250 V
Rated surge voltage of signal contacts	6 kV
Overvoltage category of signal contacts	III
Degree of pollution of signal contacts	3

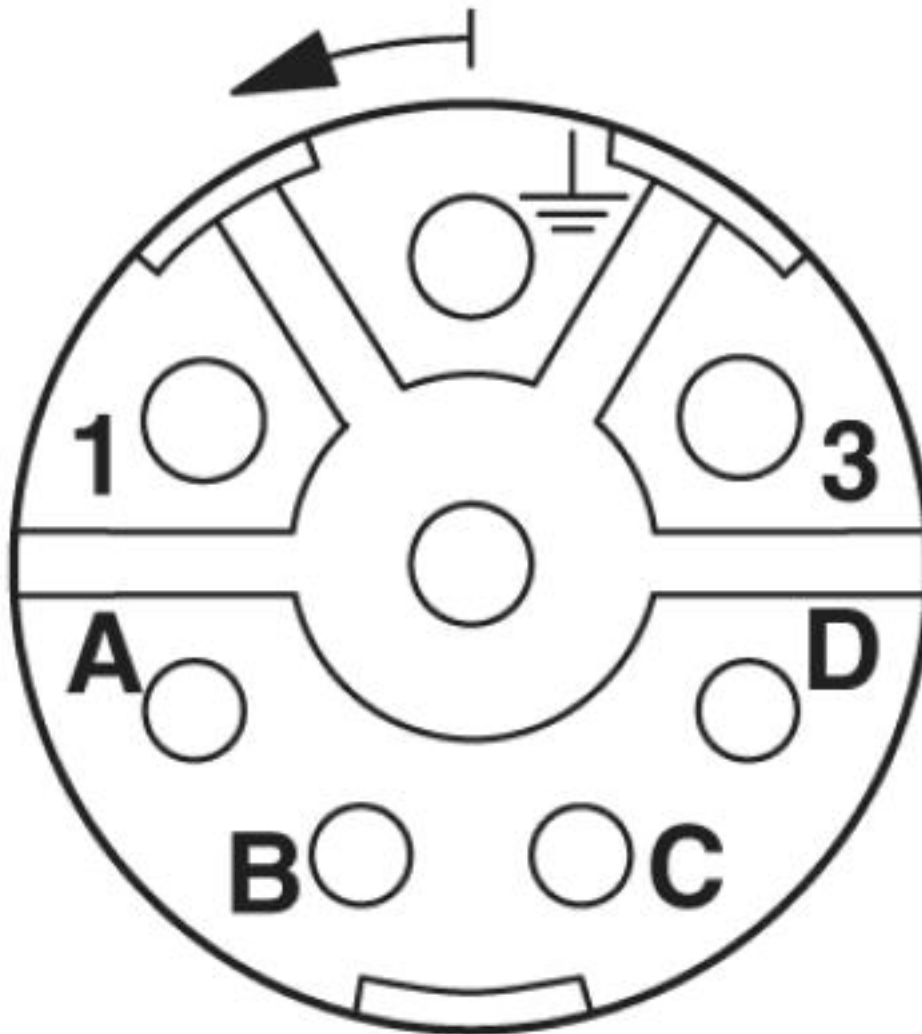
Environmental Product Compliance

REACH SVHC	Lead 7439-92-1
China RoHS	Environmentally Friendly Use Period = 50
	For details about hazardous substances go to tab "Downloads", Category "Manufacturer's declaration"

Drawings

Pin/socket, panel feed-through - SF-7EE1N8AS000 - 1605567

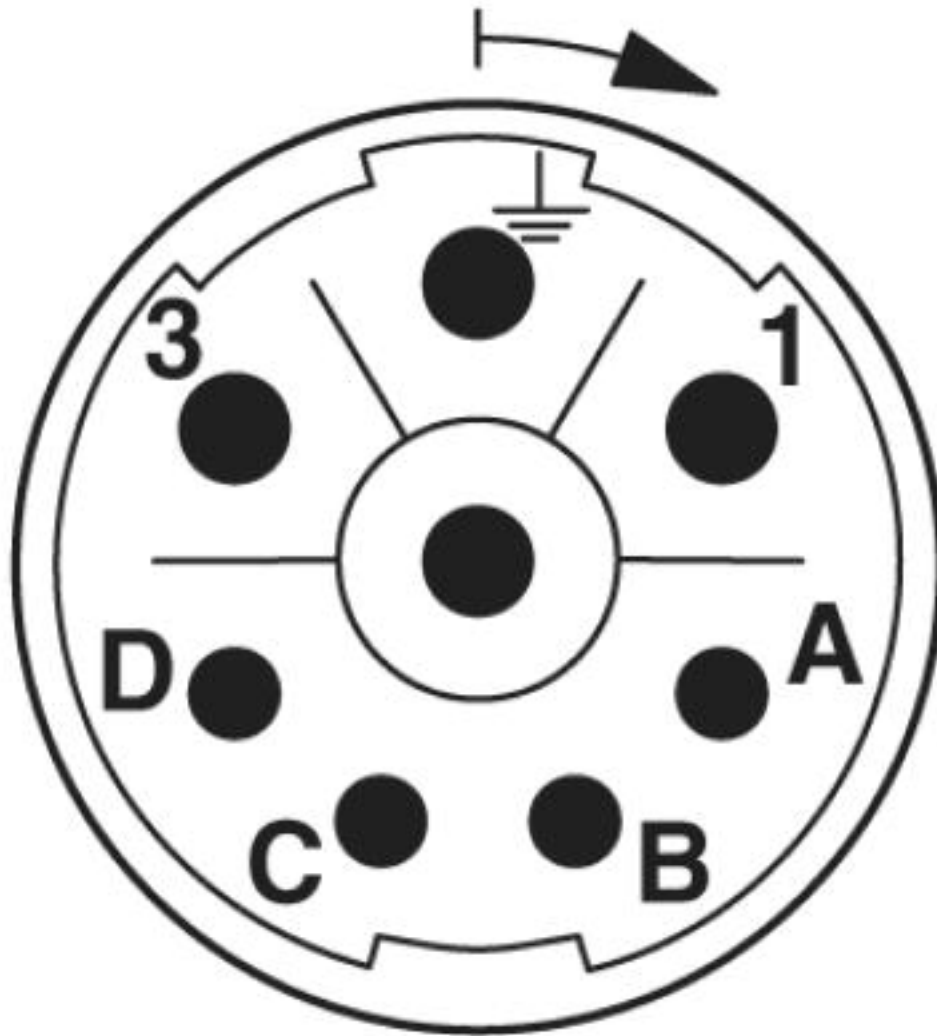
Schematic diagram



Socket pin assignment

Pin/socket, panel feed-through - SF-7EE1N8AS000 - 1605567

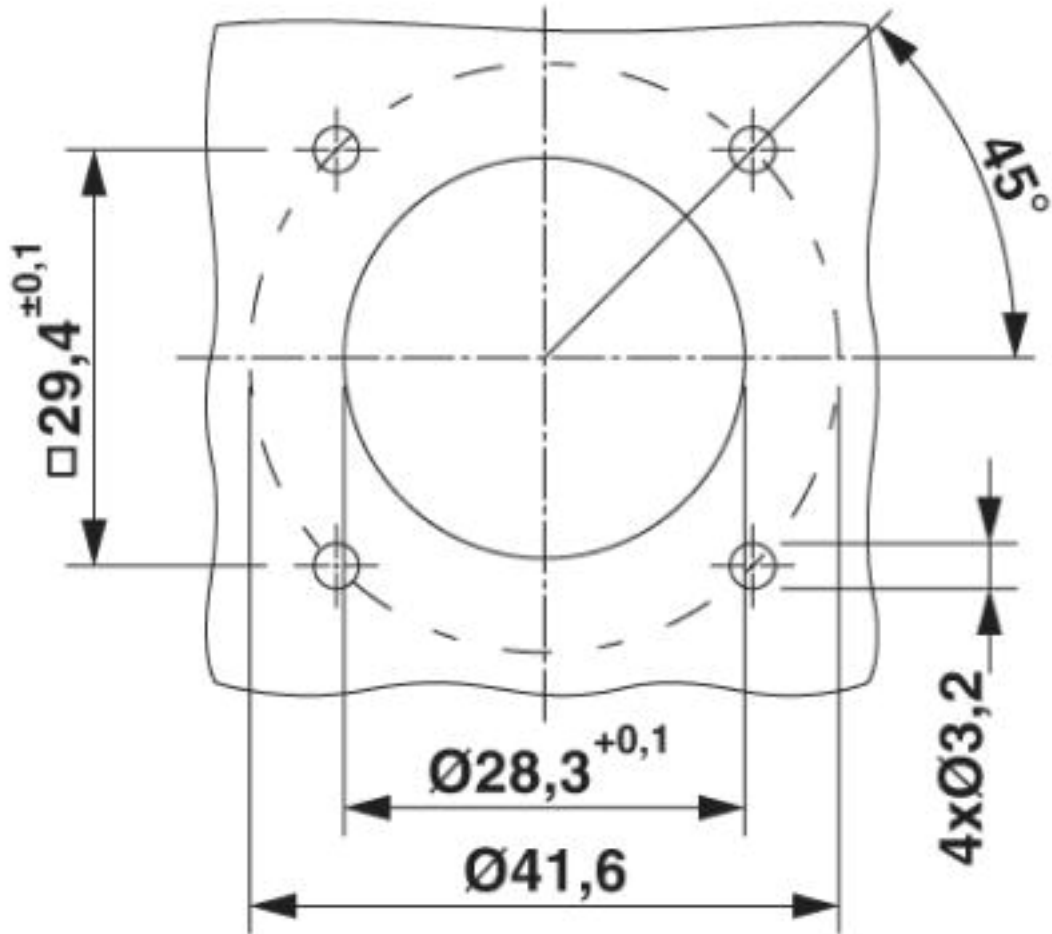
Schematic diagram



Pin assignment of pin

Pin/socket, panel feed-through - SF-7EE1N8AS000 - 1605567

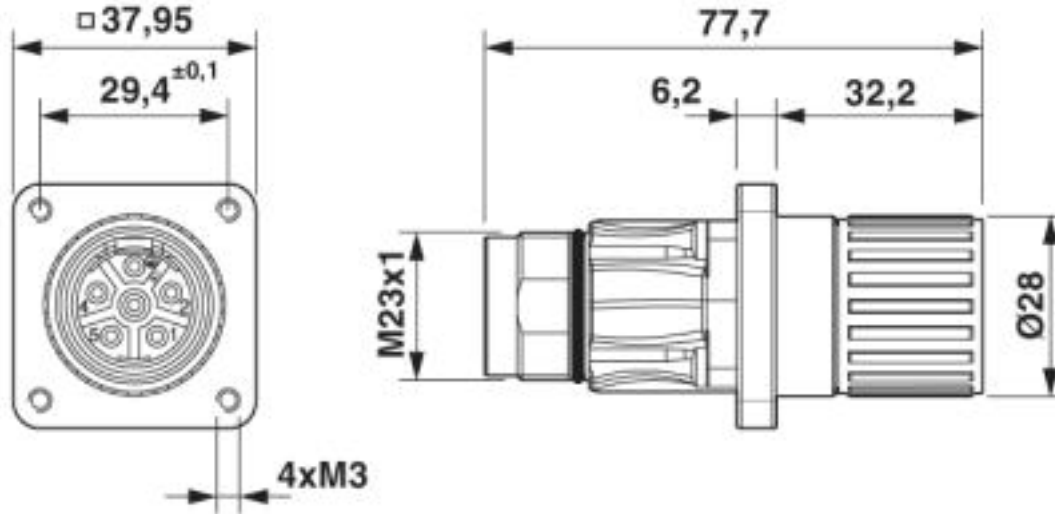
Dimensional drawing



Installation dimensions

Pin/socket, panel feed-through - SF-7EE1N8AS000 - 1605567

Dimensional drawing



Dimensional drawing

Classifications

eCl@ss

eCl@ss 10.0.1	27440102
eCl@ss 4.0	27260700
eCl@ss 4.1	27260700
eCl@ss 5.0	27260700
eCl@ss 5.1	27260700
eCl@ss 6.0	27279200
eCl@ss 7.0	27440103
eCl@ss 8.0	27440103
eCl@ss 9.0	27440102

ETIM

ETIM 3.0	EC001121
ETIM 4.0	EC001121
ETIM 5.0	EC002061
ETIM 6.0	EC002061

UNSPSC

UNSPSC 6.01	43172015
UNSPSC 7.0901	43201404
UNSPSC 11	43172015

Pin/socket, panel feed-through - SF-7EE1N8AS000 - 1605567

Classifications

UNSPSC

UNSPSC 12.01	43201404
UNSPSC 13.2	39121413

Approvals

Approvals

Approvals

EAC

Ex Approvals

Approval details

EAC		B.00767
-----	--	---------

Accessories

Accessories

Mounting material

Torque screwdriver - SF-Z0028 - 1607456



Torque screwdriver

Protective cover

Protective cap - SF-Z0019 - 1607449



Plastic protection cap, with eye, IP40 for connectors with M23 external thread, RF, SF series

Pin/socket, panel feed-through - SF-7EE1N8AS000 - 1605567

Accessories

Protective cap - RC-Z2059 - 1604225



Plastic protection cap for connectors with M23 external thread

Plastic anti-static dust protection cap - RC-Z2469 - 1611797



Plastic protection cap, antistatic, for RF, SF, CA, RC series connectors, with M23 external thread

Metal protective cap - SC-Z2319 - 1605456



Metal protection cap for power connectors with M23 external thread

Metal protective cap - SC-Z2320 - 1605457



Metal protection cap with steel wire for power connectors with M23 external thread

Hook wrench - SF-Z0027 - 1607455



Hook wrench
