

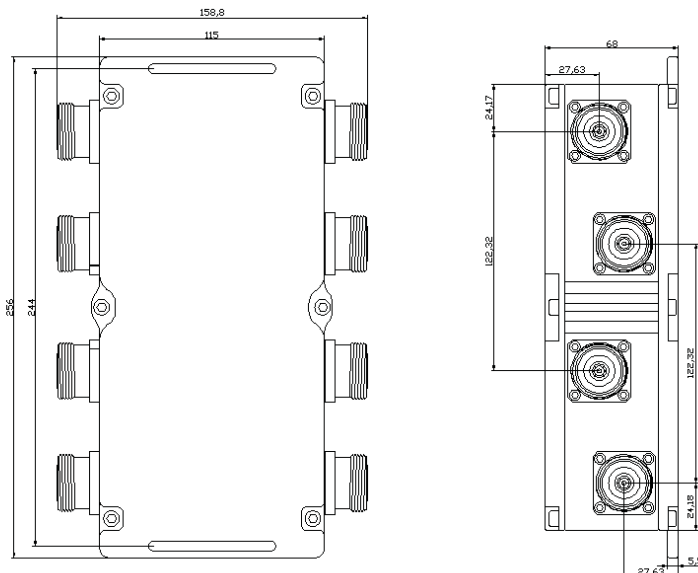
This model was previously released as AHC-07-MG-44-DF-CC.

HC-7MG44-DF-CC

6.8 dB Hybrid Coupler | 698-2700 MHz | 4 in 4 out | 7/16-DIN Female



Electrical Characteristics	
Frequency Range	698-2700 MHz
Insertion Loss	≤ 6.8 dB
Isolation	≥ 25 dB
PIM3 (2x20W)	≤ -155 dBc
VSWR	≤ 1.25
Power Rating (average)	500 W
Peak Power	1500 W
Impedance	50Ω
Mechanical Characteristics	
Connectors	7/16-DIN Female
Dimensions (L x W x D; without connectors)	256 x 115 x 68 mm
Weight	3.5 kg
Environmental Characteristics	
Operating Temperature	-30° C to +65° C
Humidity	5-95%
Environmental	RoHs, IP65



Quoted performance parameters are provided to offer typical, peak or range values only and may vary as a result of normal testing, manufacturing and operational conditions. Extreme operational conditions and/or stress on structural supports is beyond our control. Such conditions may result in damage to this product. Improvements to products may be made without notice.