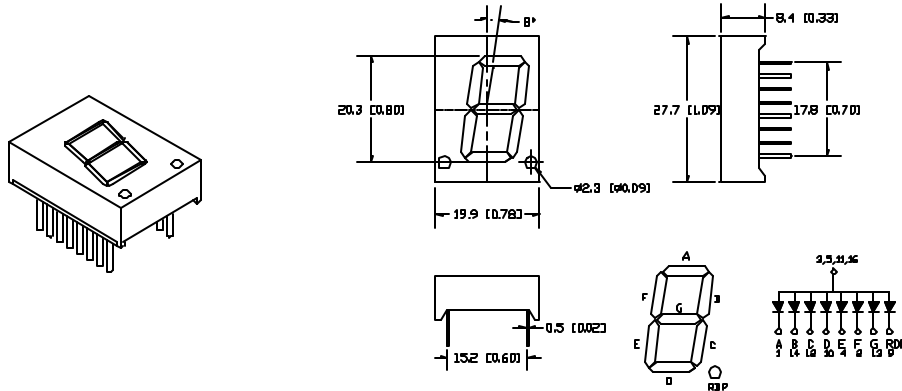


**Numerical display**

**0.8", single digit**

**LN1008**



Notes: All dimensions are in mm (inch)  
Tolerance is  $\pm 0.25$  mm (0.01") unless otherwise specified

**Electro-optical Characteristic: ( $T_a = 25^\circ \text{C}$ )**

Part No.		Chip Material	Emitting Color	Wavelength (nm)	Iv (mcd) @10mA
Common Anode	Common Cathode				Typical
LN1008-R-A	LN1008-R-C	GaP	Red	700	700
LN1008-RE-A	LN1008-RE-C	GaAsP/GaP	Red	635	3000
LN1008-G-A	LN1008-G-C	GaP	Green	565	3000
LN1008-YE-A	LN1008-YE-C	GaAsP/GaP	Yellow	585	3000
LN1008-RS-A	LN1008-RS-C	GaAlAs	Red	660	21000

**Features**

- 0.8 inch digit height
- Uniformly illuminated segments
- Low power requirement
- Wide viewing angle
- IC compatible
- Easy mounting on PCB or socket
- Different sizes and number of digit are available

**Description**

Devices have choice of gray and black face to contrast with white segments.