



**ProductFamilies**

TE Internal #: 2-1377175-3

Quick Disconnects, Receptacle, 20 – 17AWG Wire Size, .5 – 1mm<sup>2</sup>

Wire Size, Quick Disconnect Mating Tab Width 6.35 mm [.25 in]

[View on TE.com >](#)

Terminals & Splices > Quick Disconnects



Terminal & Splice Type: **Receptacle**

Wire Size: **.5 – 1 mm<sup>2</sup>**

Quick Disconnect Mating Tab Width: **6.35 mm [.25 in]**

Quick Disconnect Mating Tab Thickness: **.81 mm [.032 in]**

**Features**

**Product Type Features**

Quick Disconnect Insertion Force	Normal
Sealable	No
Insulated	Yes

**Electrical Characteristics**

Voltage (Max)	300 V
---------------	-------

**Body Features**

Insulation Material	Nylon
Fully Insulated	Yes
Quick Disconnect Plating Material	Tin

**Contact Features**

Terminal Type	Receptacle
Terminal & Splice Type	Receptacle
Quick Disconnect Terminal Orientation	Straight
Contact Base Material	Brass
Crimp Type	Compression



Barrel Type	Closed
-------------	--------

### Mechanical Attachment

Mating Retention Type	Dimple
Wire Insulation Support	With

### Dimensions

Accepts Wire Insulation Diameter Range	3.3 mm[.13 in]
Overall Length	21.6 mm[.85 in]
Wire Size	.5 – 1 mm <sup>2</sup>
Quick Disconnect Mating Tab Width	6.35 mm[.25 in]
Quick Disconnect Mating Tab Thickness	.81 mm[.032 in]

### Usage Conditions

Insulation Requirement	Fully Insulated
Operating Temperature Range	105 °C[221 °F]

### Packaging Features

Quick Disconnect Packaging Method	Bag
-----------------------------------	-----

## Product Compliance

[For compliance documentation, visit the product page on TE.com>](#)

EU RoHS Directive 2011/65/EU	Compliant
EU ELV Directive 2000/53/EC	Compliant
China RoHS 2 Directive MIIT Order No 32, 2016	No Restricted Materials Above Threshold
EU REACH Regulation (EC) No. 1907/2006	Current ECHA Candidate List: JUL 2021 (219) Candidate List Declared Against: JAN 2021 (211) SVHC > Threshold: Not Yet Reviewed
Halogen Content	Not Yet Reviewed for halogen content
Solder Process Capability	Not applicable for solder process capability

#### Product Compliance Disclaimer

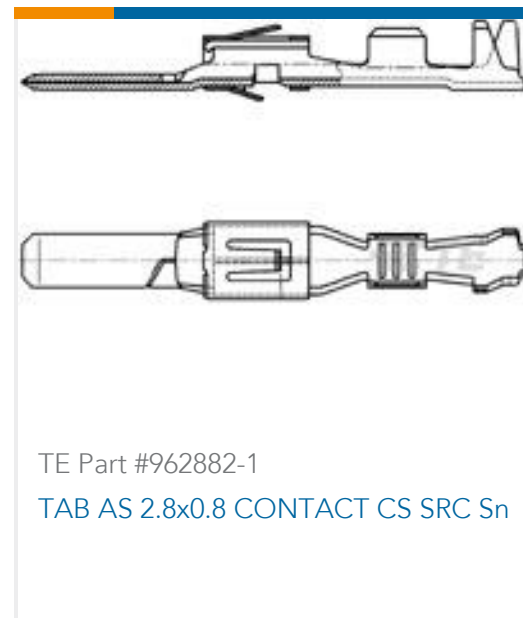
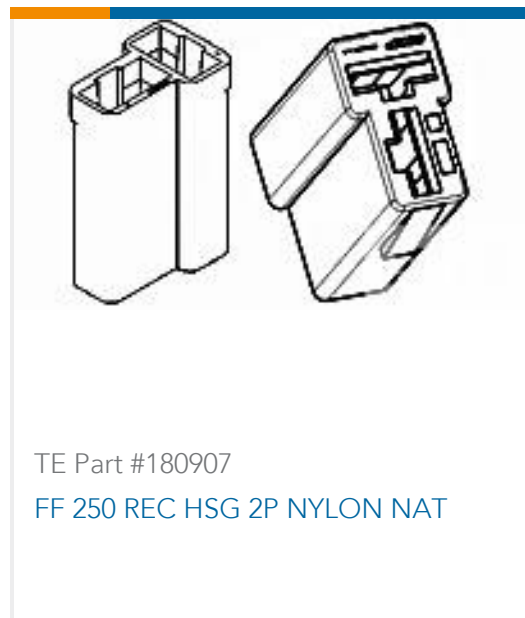
This information is provided based on reasonable inquiry of our suppliers and represents our current actual knowledge based on the information they provided. This information is subject to change. The part numbers that TE has identified as EU RoHS compliant have a maximum concentration of 0.1% by weight in homogenous materials for lead, hexavalent chromium, mercury, PBB, PBDE, DBP, BBP, DEHP, DIBP, and 0.01% for cadmium, or qualify for an exemption to these limits as defined in the Annexes of Directive 2011/65/EU (RoHS2). Finished electrical and electronic equipment products will be CE marked as required by Directive 2011/65/EU. Components may not be CE marked. Additionally, the part numbers that TE has identified as EU ELV compliant have a maximum concentration of 0.1% by weight in homogenous

materials for lead, hexavalent chromium, and mercury, and 0.01% for cadmium, or qualify for an exemption to these limits as defined in the Annexes of Directive 2000/53/EC (ELV). Regarding the REACH Regulation, the information TE provides on SVHC in articles for this part number is based on the latest European Chemicals Agency (ECHA) 'Guidance on requirements for substances in articles' posted at this URL: <https://echa.europa.eu/guidance-documents/guidance-on-reach>

## Compatible Parts



## Customers Also Bought



## Documents

**Product Drawings**  
SMP 0-0140896-2



English

---

[Product Specifications](#)

[Application Specification](#)

English