



Wire & Cable > High Speed Digital & Data Cable

High Speed Digital & Data Cable Type: **Cheminax**Impedance: **100 Ω** Wire Size: **28 AWG**Operating Temperature Range: **-65 – 200 °C [-85 – 392 °F]**

Features

Product Type Features

High Speed Digital & Data Cable Type	Cheminax
--------------------------------------	----------

Electrical Characteristics

Impedance	100 Ω
-----------	--------------

Dimensions

Wire Size	28 AWG
-----------	--------

Usage Conditions

Operating Temperature Range	-65 – 200 °C[-85 – 392 °F]
-----------------------------	----------------------------

Product Compliance

For compliance documentation, visit the product page on TE.com>

EU RoHS Directive 2011/65/EU	Compliant
EU ELV Directive 2000/53/EC	Compliant
China RoHS 2 Directive MIIT Order No 32, 2016	No Restricted Materials Above Threshold
EU REACH Regulation (EC) No. 1907/2006	Current ECHA Candidate List: JUN 2020 (209) Candidate List Declared Against: JAN 2019 (197) Does not contain REACH SVHC
Halogen Content	Out of Scope - excluded from Halogen requirements

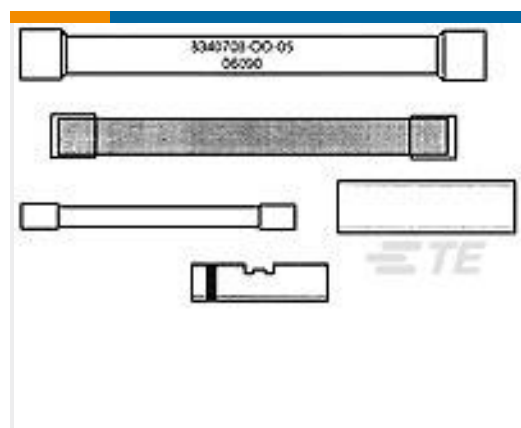
Solder Process Capability

Not applicable for solder process capability

Product Compliance Disclaimer

This information is provided based on reasonable inquiry of our suppliers and represents our current actual knowledge based on the information they provided. This information is subject to change. The part numbers that TE has identified as EU RoHS compliant have a maximum concentration of 0.1% by weight in homogenous materials for lead, hexavalent chromium, mercury, PBB, PBDE, DBP, BBP, DEHP, DIBP, and 0.01% for cadmium, or qualify for an exemption to these limits as defined in the Annexes of Directive 2011/65/EU (RoHS2). Finished electrical and electronic equipment products will be CE marked as required by Directive 2011/65/EU. Components may not be CE marked. Additionally, the part numbers that TE has identified as EU ELV compliant have a maximum concentration of 0.1% by weight in homogenous materials for lead, hexavalent chromium, and mercury, and 0.01% for cadmium, or qualify for an exemption to these limits as defined in the Annexes of Directive 2000/53/EC (ELV). Regarding the REACH Regulation, the information TE provides on SVHC in articles for this part number is based on the latest European Chemicals Agency (ECHA) 'Guidance on requirements for substances in articles' posted at this URL: <https://echa.europa.eu/guidance-documents/guidance-on-reach>

Compatible Parts



TE Model / Part # 449453-000
D-150-0708-5

Customers Also Bought




TE Model / Part #120530-1
1FHR,64,30A/P,N,C,S13



TE Model / Part #YDTS24T11-98SAV001
RECP ASSY



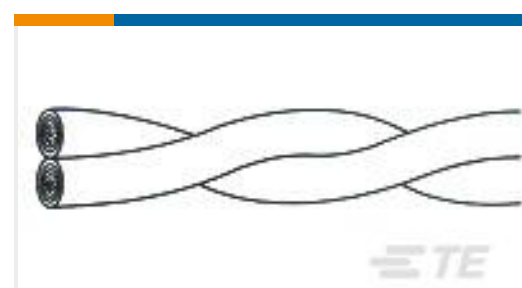
TE Model / Part #2-1532184-8
M83513/03-F12C, MCKS-C2-B-37P6Q9-36.0



TE Model / Part #216371-000
22759/32-16-5



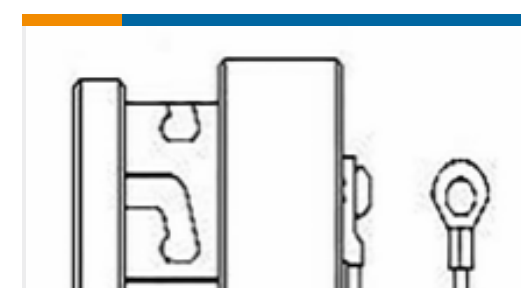
TE Model / Part #869135-000
55A0134-24-MST3CS2275



TE Model / Part #154025-000
55A0821-12-9/96CS2275



TE Model / Part #87962-6
14 MODII HORZ DR CE 100CL/115



TE Model / Part #011689-000
D-600-0065-3



TE Model / Part #233591-000
D-600-0068-3



TE Model / Part #YDTS24W25-
20SBV001
RECP ASSY

Documents

Product Drawings

[0028A0664-9](#)

English

Datasheets & Catalog Pages

[1654025_Sec9_CheminaxCables](#)

English

Wire and Cable Overview

English

Product Specifications

[Product Specification](#)

English