

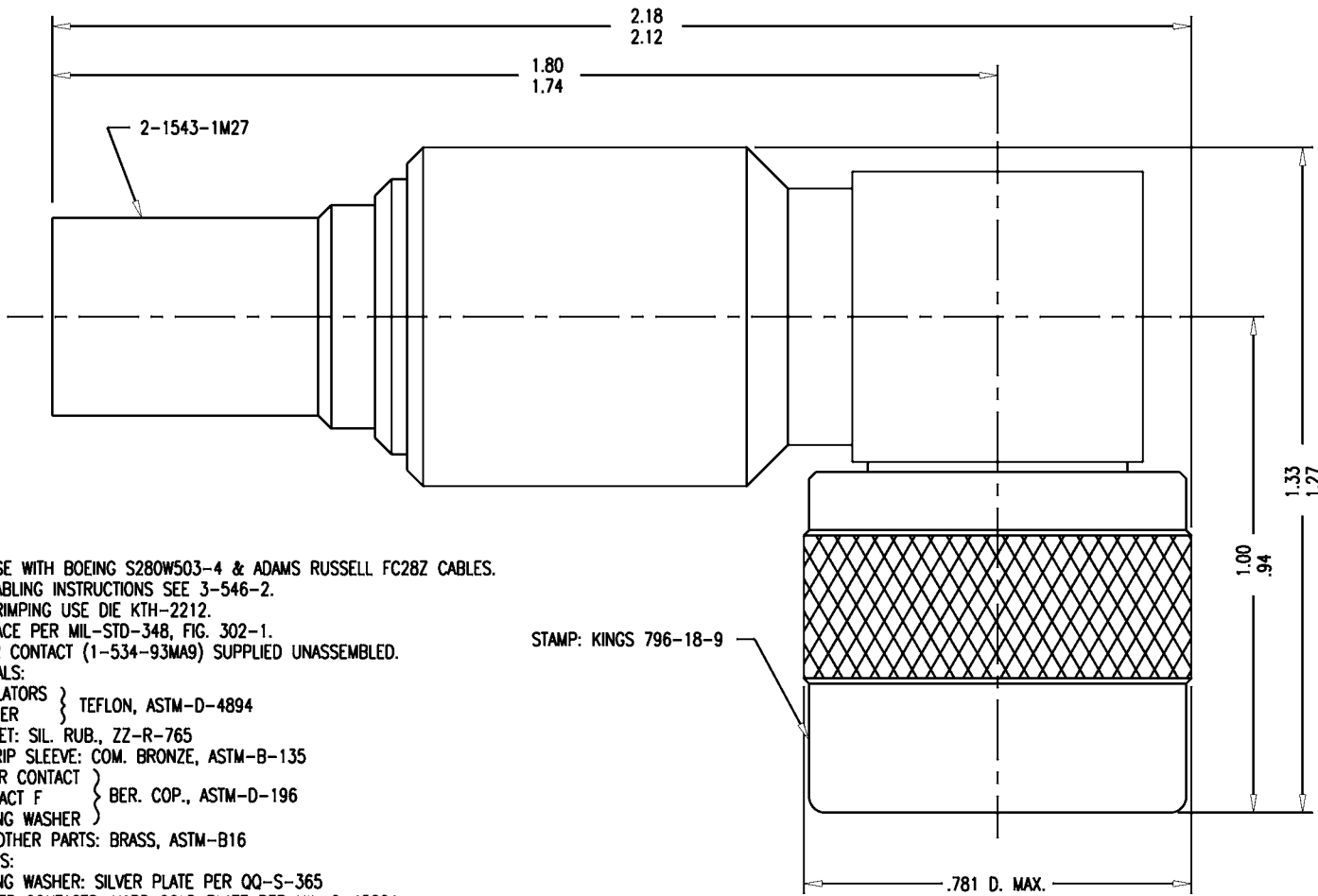
DASH NO.	M CODE	MADE FROM
----------	--------	-----------

# GSD

796-18-9

REVISIONS

ISSUE	CHANGES
0	ER 35800 KH 09/28/94



- NOTES:
- FOR USE WITH BOEING S280W503-4 & ADAMS RUSSELL FC28Z CABLES.
  - FOR CABLING INSTRUCTIONS SEE 3-546-2.
  - FOR CRIMPING USE DIE KTH-2212.
  - INTERFACE PER MIL-STD-348, FIG. 302-1.
  - CENTER CONTACT (1-534-93MA9) SUPPLIED UNASSEMBLED.
  - MATERIALS:
    - INSULATORS } TEFLON, ASTM-D-4894
    - WASHER } TEFLON, ASTM-D-4894
    - GASKET: SIL. RUB., ZZ-R-765
    - K-GRIP SLEEVE: COM. BRONZE, ASTM-B-135
    - OUTER CONTACT } BER. COP., ASTM-D-196
    - CONTACT F } BER. COP., ASTM-D-196
    - SPRING WASHER } BER. COP., ASTM-D-196
    - ALL OTHER PARTS: BRASS, ASTM-B16
  - FINISHES:
    - SPRING WASHER: SILVER PLATE PER QQ-S-365
    - CENTER CONTACTS: HARD GOLD PLATE PER MIL-G-45204
    - ALL OTHER METAL PARTS: KINGS TARNISH RESISTANT NICKEL FINISH (TR-5)
  - ELECTRICAL CHARACTERISTICS:
    - NOMINAL IMPEDANCE: 50 OHMS
    - VOLTAGE RATING: 1000 VRMS
    - FREQUENCY RANGE: DC TO 11 GHz

STAMP: KINGS 796-18-9

KAM3588

SCALE 4:1

APPROX SURFACE AREA

USED ON

REF: BOEING

PLUG, ANGLE, C

DRAWN KH	DATE 03/16/94
----------	---------------

DESIGN JT	DATE 03/17/94
-----------	---------------

APPR.	DATE
-------	------

**KINGS**  
ELECTRONICS CO., INC.  
TUCKAHOE, NEW YORK 10707

796-18-9

# GSD